
STUDER Digital Audio Processing for D940, D941, Madi Router

Schemata / Circuit Diagrams

1. DS-PR Frame

2. Macha Board

3. Optical Madisoni / Coax Madisoni

4. Optical Madisono / Coax Madisono

5. Sommatation Summing Board

6. Pap Plus Board

7. D19 M Rack

8. Madi Multiplexer MUX

9. Madi Demultiplexer DEMUX

10. Connectors / Accessories

Contents of Schemata / Circuit Diagram Sections in Alphabetical Order

	Section
Back Plane	7
Block Diagram D19 M SFC Board.....	8
Block Diagram D19 M Madi Coaxial	9
Block Diagram D19 M Mado Coaxial	8
Block Diagram Madi Optical.....	9
Block Diagram Mado Optical.....	8
Coax Madisoni 2 Madi Input Board.....	3
Coax Madisono 2 Madi Output Board.....	4
D19 M AESI Board.....	8
D19 M AESO Board.....	9
D19 M C4 AD Board	8
D19 M C4 AD NS Board.....	8
D19 M C4 DA Board.....	9
D19 M Rack Bus 5/15	7
D19 M SFC Board.....	8
Distribution Amplifier DS-D DA.....	10
- Schema	10
DS-D Frame 1U	10
DS-PR Frame.....	1
D19 M Madi Coaxial	9
D19 M Mado Coaxial	8
Macha Board Synchronisation	2
Madi Optical	9
Mado Optical.....	8
Optical Madisoni 2 Madi Input Board	3
Optical Madisono 2 Madi Output Board	4
Pap Plus Board Extended Memory 32k x 8.....	6
Pap Plus Board Extended Memory 128k x 8.....	6
Pap Plus Board Extended Memory	6
Power Supply $\pm 15V/3.4A$	7
Power Supply 5V/20A	7
Sommation Summing Board	5
Synch Generator DS-D ARG	10
- Schema	10
Synchronisation	10
Video Clock Input DSD-D VS	10

Contents of Schemata / Circuit Diagram Sections in Numerical Order

	Section
1.940.500.20	D19 M Madi Coaxial 9
1.940.500.20	Block Diagram DSD Madi Coaxial 9
1.940.510.20	Madi Optical 9
1.940.510.20	Block Diagram Madi Optical 9
1.940.520.21	D19 M Mado Coaxial 8
1.940.520.21	Block Diagram DSD Mado Coaxial 8
1.940.530.21	Mado Optical 8
1.940.530.21	Block Diagram Mado Optical 8
1.940.540.22	D19 M SFC Board 8
1.940.540	Block Diagram D19 M SFC Board 8
1.940.550.00	Back Plane 7
1.940.560.21	D19 M C4 AD Board 8
1.940.561.21	D19 M C4 AD NS Board 8
1.940.570.20	D19 M C4 DA Board 9
1.940.580.20	D19 M AESI Board 8
1.940.585.20	D19 M AESO Board 9
1.940.592.00	D19 M Rack Bus 5/15 7
1.940.601.00	Power Supply 5V/20A 7
1.940.602.00	Power Supply $\pm 15V/3.4A$ 7
42.125.301.01	DS-PR Frame 1
42.125.302.01	Macha Board Synchronisation 2
42.125.303.01	Optical Madisoni 2 Madi Input Board 3
42.125.303.11	Coax Madisoni 2 Madi Input Board 3
42.125.304.01	Optical Madisono 2 Madi Output Board 4
42.125.304.11	Coax Madisono 2 Madi Output Board 4
42.320.110.00	Synchronisation 10
42.320.110.81	D19 M Frame 1U 10
42.321.201.01	Distribution Amplifier DS-D DA 10
42.321.401.00	Synch Generator DS-D ARG 10
42.321.402.01	Video Clock Input DSD-D VS 10
42.355.152.35	Sommation Summing Board 5
42.355.278.80	Pap Plus Board Extended Memory 128k x 8 6
42.355.278.81	Pap Plus Board Extended Memory 32k x 8 6
42.355.278.89	Pap Plus Board Extended Memory 6
911.253.51	Block Diagram Synch Generator DS-D ARG 10
912.238.35	Block Diagram Distribution Amplifier DS-D DA 10

SCHEMATA / CIRCUIT DIAGRAMS

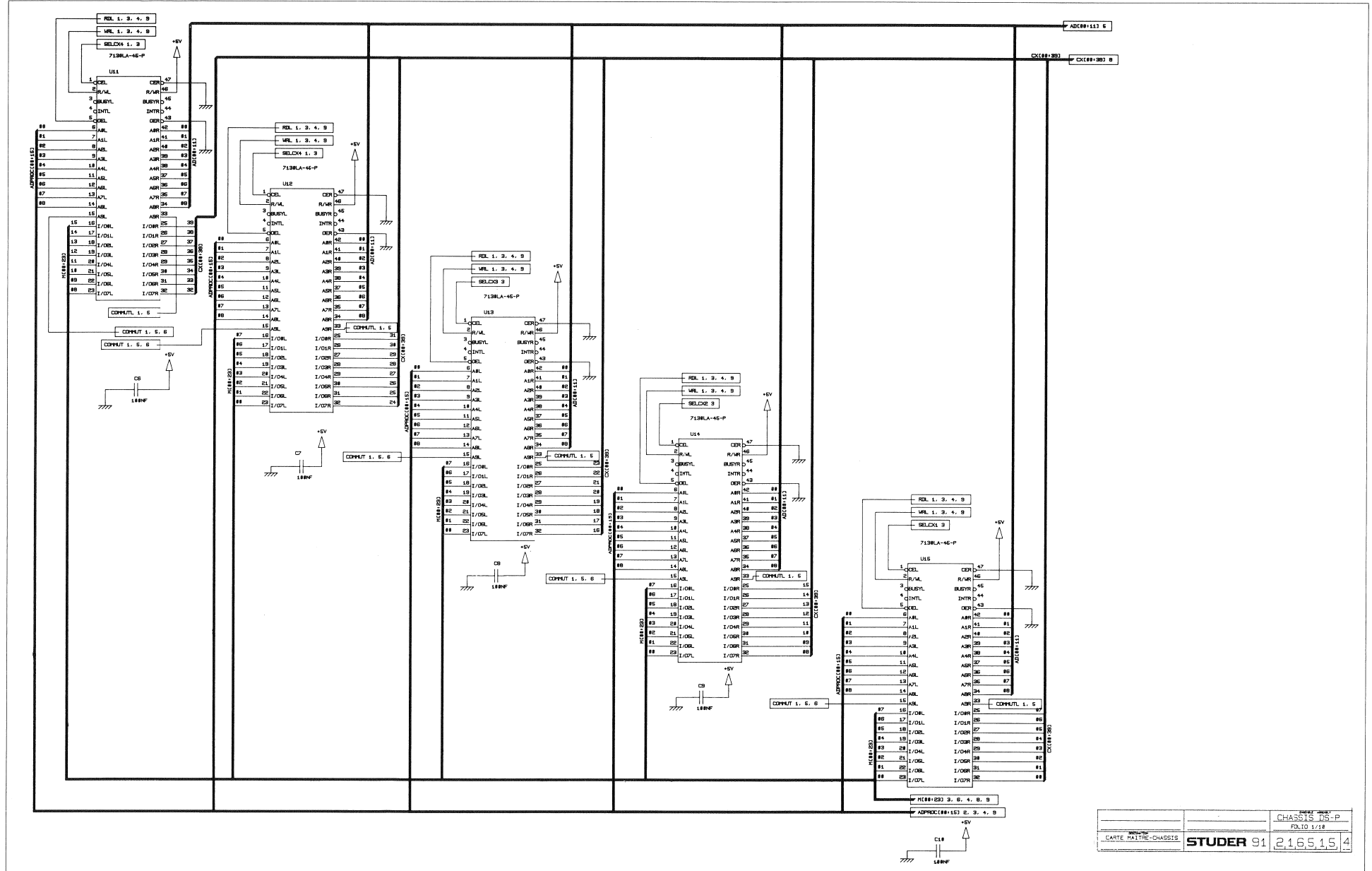
DS-PR Frame 42.125.301.01

SCHEMATA / CIRCUIT DIAGRAMS

Macha Board Synchronisation 42.125.302.01

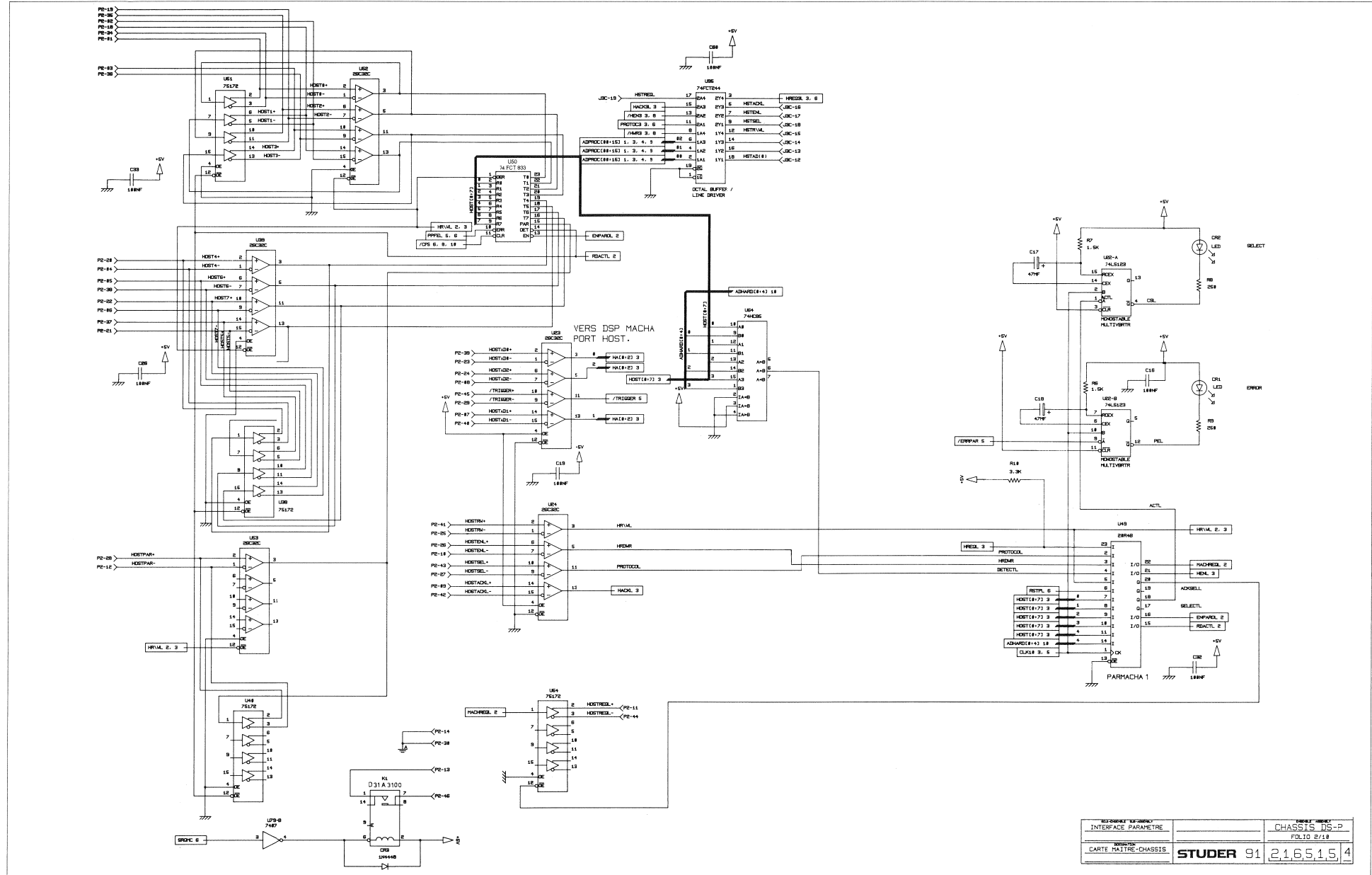


Macha Board Synchronisation 42.125.302.01





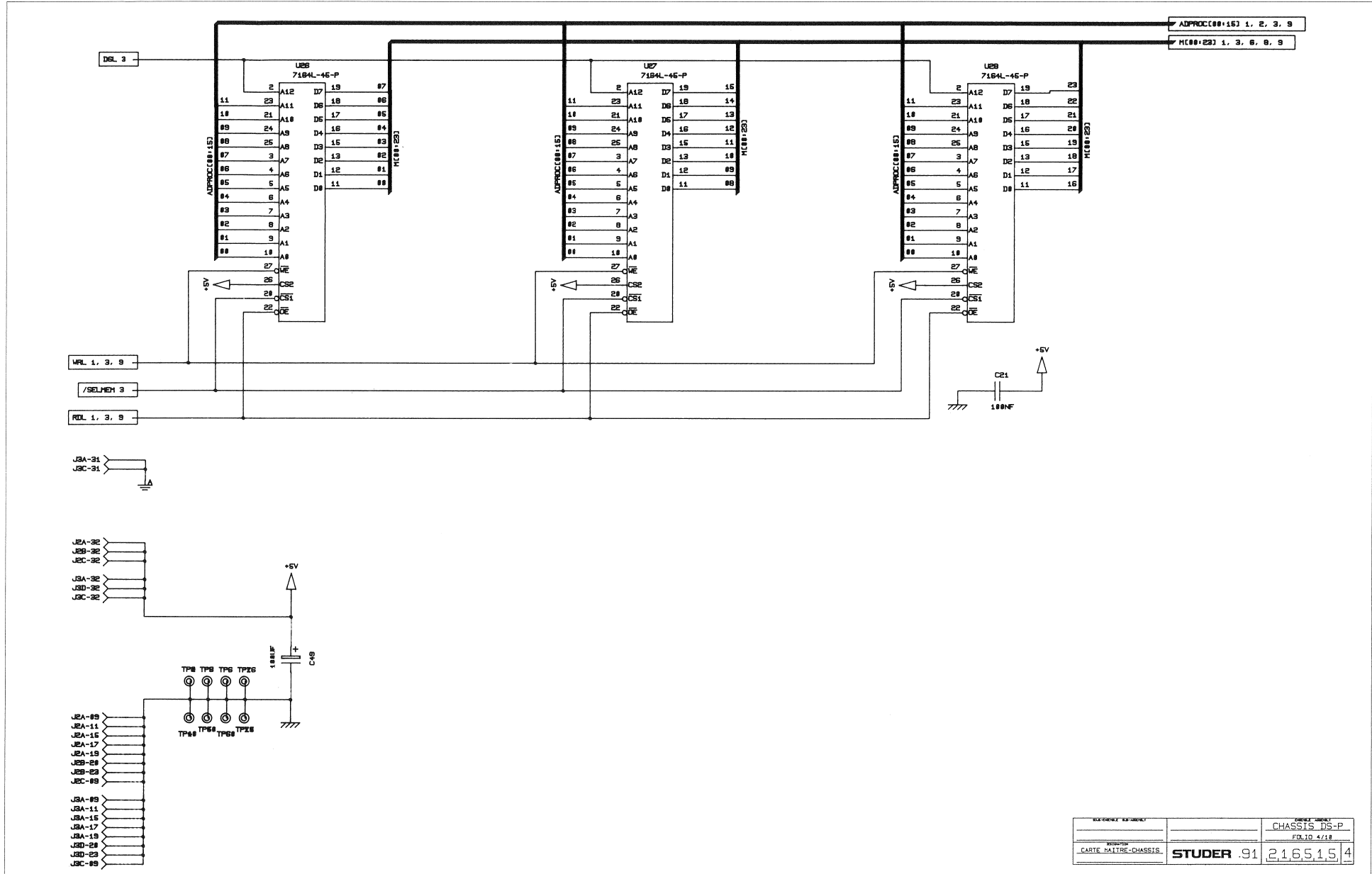
Macha Board Synchronisation 42.125.302.01



REVISION: 00000000	CHASSIS: DS-P
INTERFACIA PARAMETRE	FOLIO: 2/18
CARTE MAITRE-CHASSIS	STUDER 91 21.65.15.4



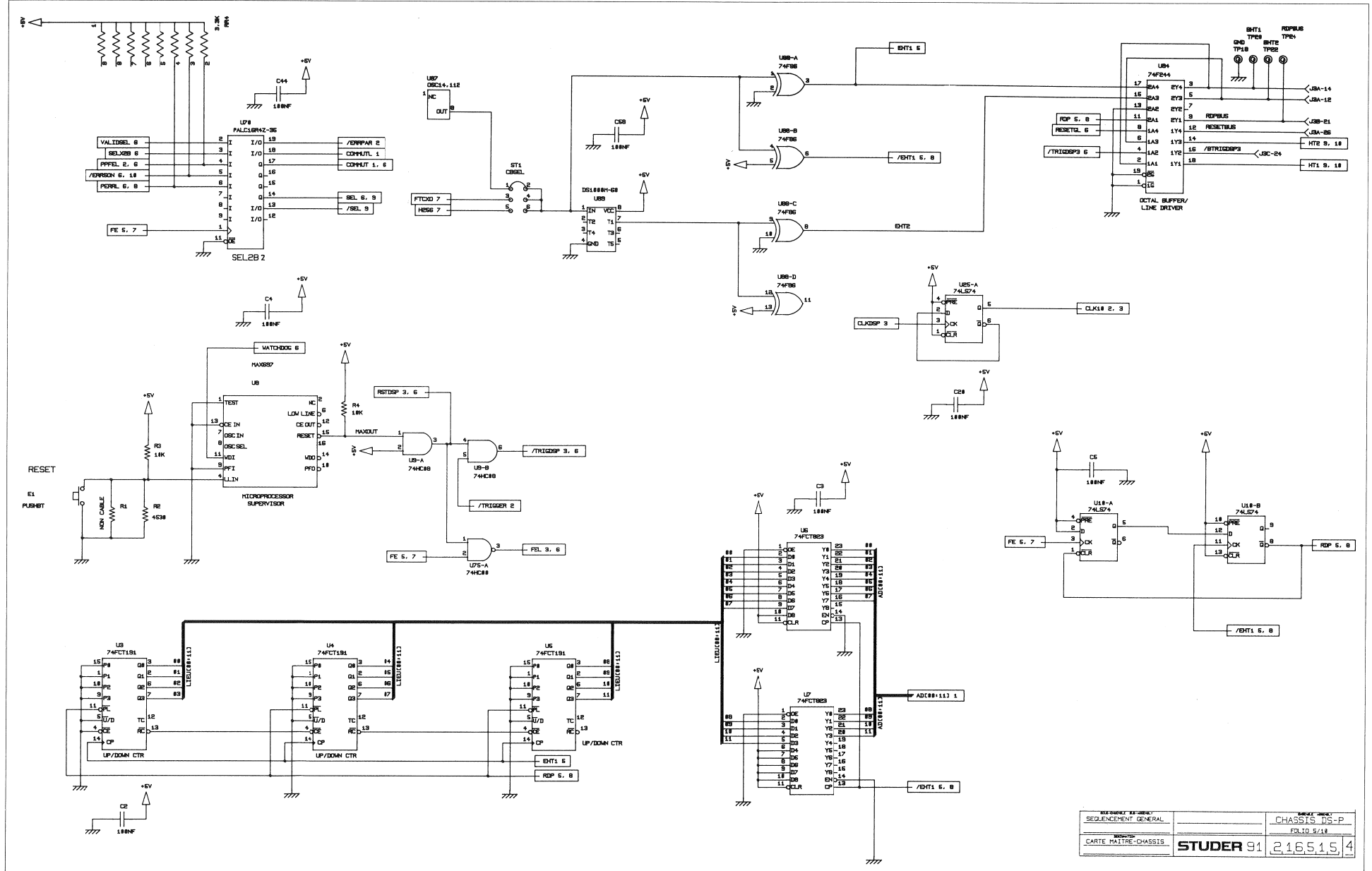
Macha Board Synchronisation 42.125.302.01



REVISIONS LIST	DATE	DESCRIPTION
		CHASSIS_DS-P
		FD.10.4/18
REVISIONS LIST	DATE	DESCRIPTION
CARTE MACHA-CHASSIS	STUDER .91	2,1,6,5,1,5,4



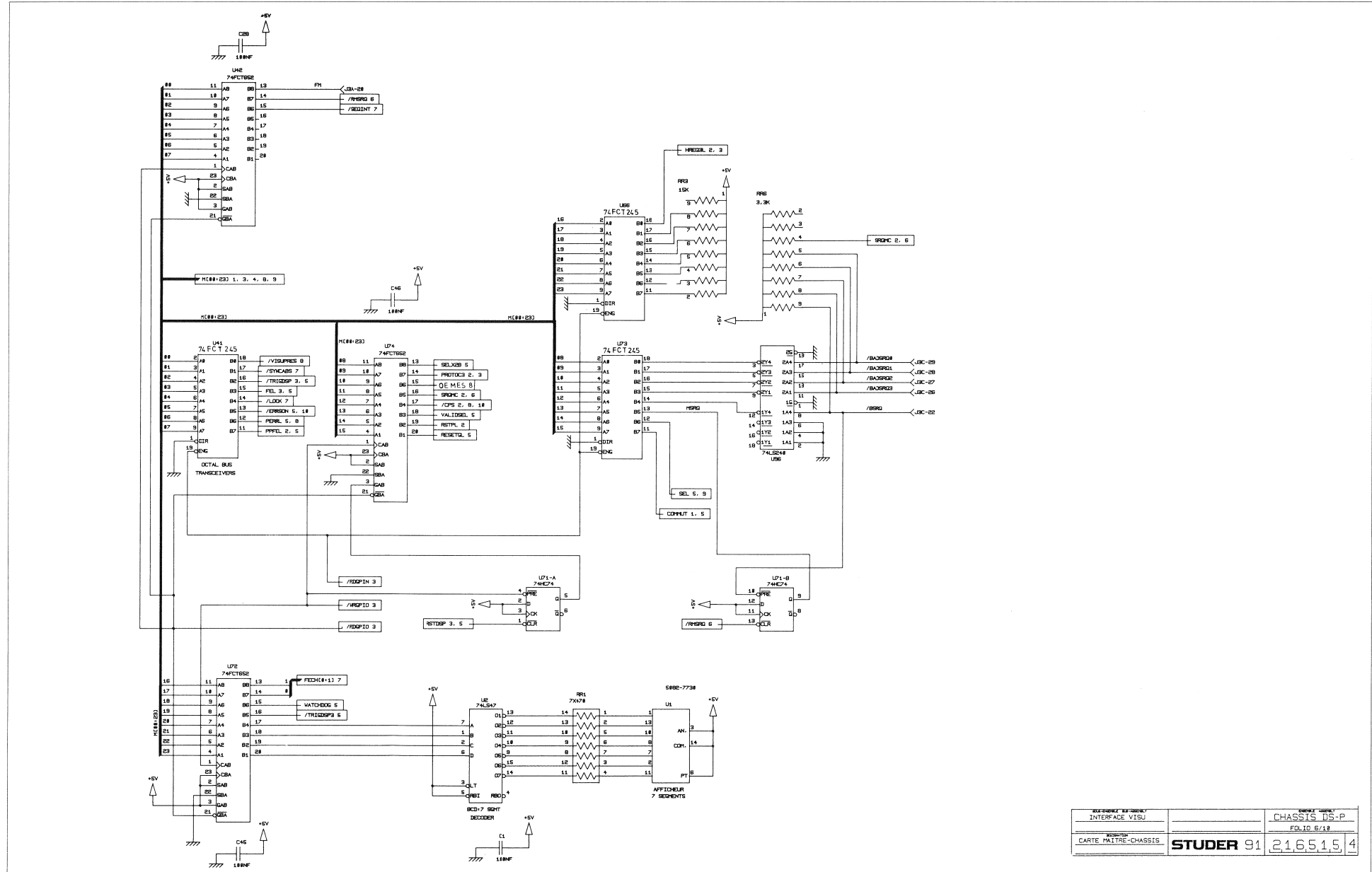
Macha Board Synchronisation 42.125.302.01



SEQ. N°	42.125.302.01	CHASSIS	DS-P
REVISION		DATE	5/19
STUDER 91		2,165,15,4	



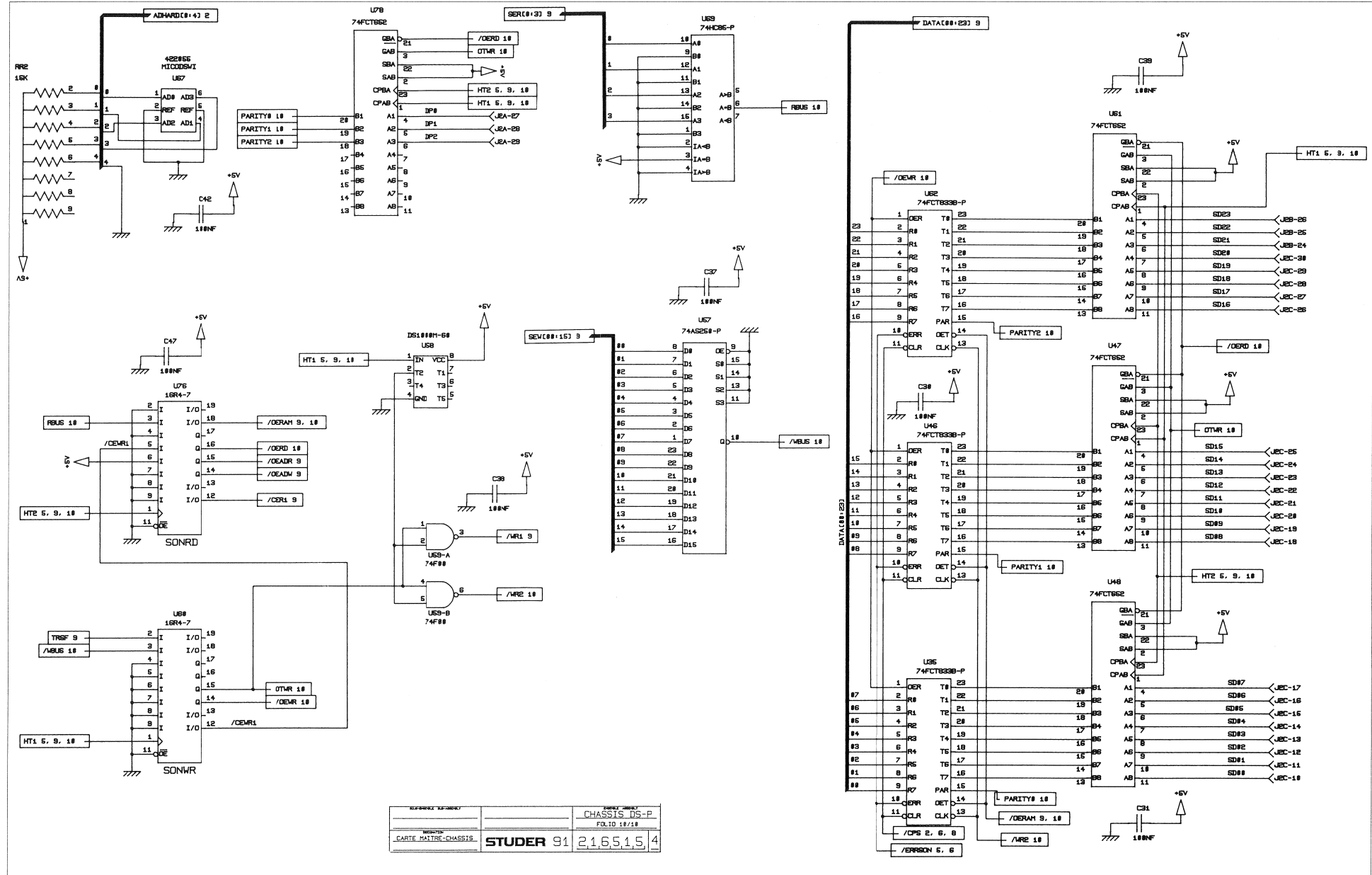
Macha Board Synchronisation 42.125.302.01



REVISION	DATE	CHASSIS DS-P
INTERFACE VISU		FIG. 10. 6/18
MONTAGE		
CARTE MÂTRE-CHASSIS	STUDER 91	21.65.15.4



Macha Board Synchronisation 42.125.302.01





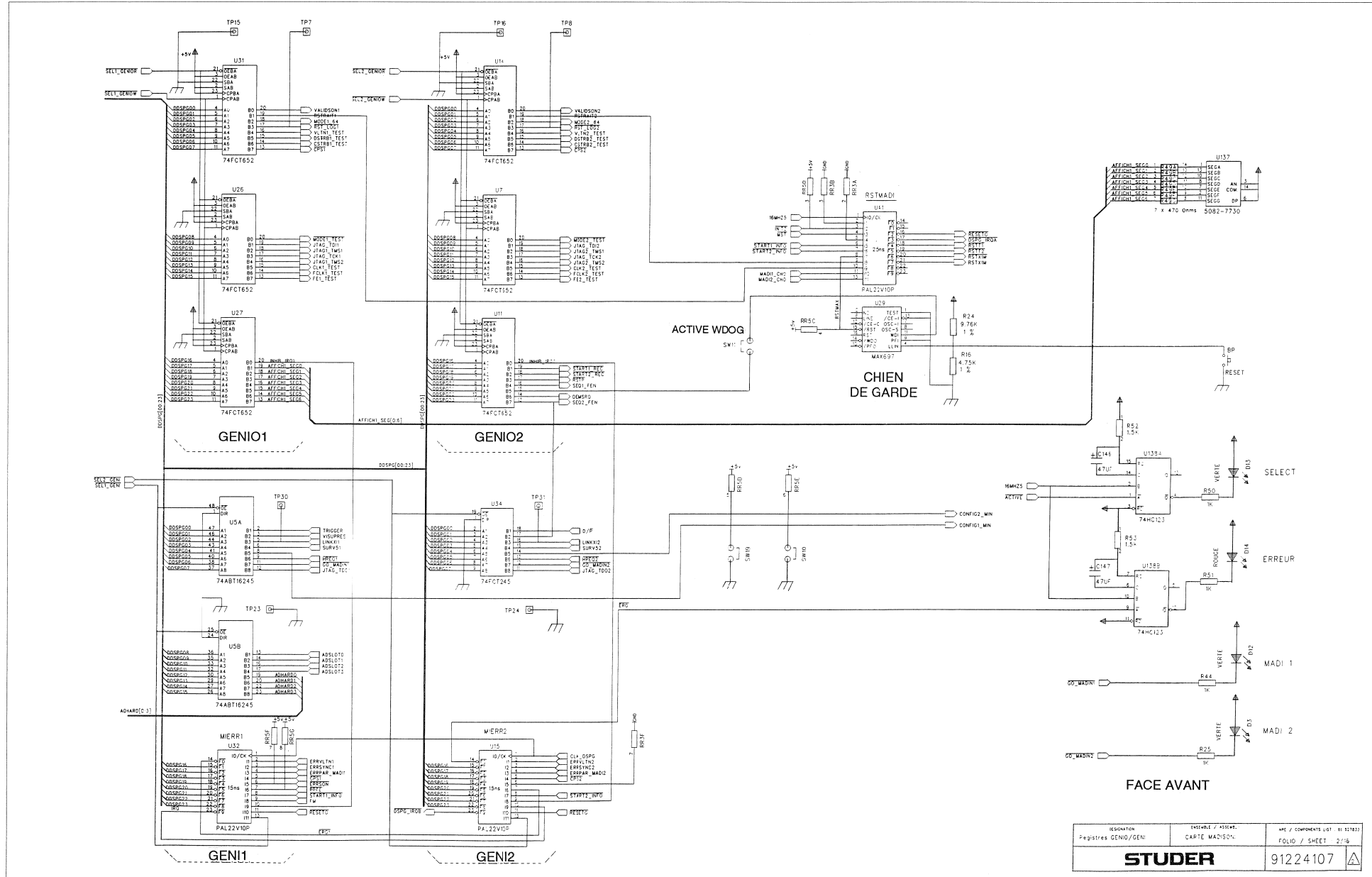
Macha Board Synchronisation 42.125.302.01

REPERE	IND	COMPOSANT	DESIGNATION	QTE	FABRIQUE	REPERE	IND	COMPOSANT	DESIGNATION	QTE	FABRIQUE	REPERE	IND	COMPOSANT	DESIGNATION	QTE	FABRIQUE	REPERE	IND	COMPOSANT	DESIGNATION	QTE	FABRIQUE	
A1		91216515	SCHEMA	1																				
A2		91216516	FILM CI	1		C23		9555073	CONDENSATEUR C241 100NF	1														
A3		91216516	FEST DE CONFORMITE	1		C24		9555073	CONDENSATEUR C241 100NF	1														
A4		91216517	FILM DE SERIGRAPHIE	1		C25		9555073	CONDENSATEUR C241 100NF	1														
A5		91216517	ECRAN DE SERIGRAPHIE	1		C26		9555073	CONDENSATEUR C241 100NF	1														
A6		91216518	FILM DE VERNIS EPARGNE	1		C27		9555073	CONDENSATEUR C241 100NF	1														
A7		91114197	PLAN DE FABRICATION	1		C28		9555073	CONDENSATEUR C241 100NF	1														
A8		91114197	OUTIL DE FABRICATION	1		C29		9555073	CONDENSATEUR C241 100NF	1														
A9		91114219	PLAN DE MONTAGE	1		C30		9555073	CONDENSATEUR C241 100NF	1														
A10		91122201	MOUF DE CABLAGE	1		C31		9555073	CONDENSATEUR C241 100NF	1														
A11		91114182	FACE AVANT	1		C32		9555073	CONDENSATEUR C241 100NF	1														
A12		91114182	OUTILLAGE	1		C33		9555073	CONDENSATEUR C241 100NF	1														
A13		91216521	MYLAR SERIGRAPHIE FACE AVANT	1		C34		9555073	CONDENSATEUR C241 100NF	1														
A14		91216521	OUTILLAGE	1		C35		9555073	CONDENSATEUR C241 100NF	1														
A15		91216525	PLAN DE SERIGRAPHIE FACE AVANT	1		C36		9555073	CONDENSATEUR C241 100NF	1														
R1			NON CABLE	1		C37		9555073	CONDENSATEUR C241 100NF	1														
R2		95619751	RESISTANCE C109 4,53KOHM	1		C38		9555073	CONDENSATEUR C241 100NF	1														
R3		95619784	RESISTANCE C109 10K OHM 1/4W 1%	1		C39		9555073	CONDENSATEUR C241 100NF	1														
R4	1	95612139	RESISTANCE C103 4,7K OHM 1/4W 5%	1		C40		9555073	CONDENSATEUR C241 100NF	1														
R5		95619784	RESISTANCE C109 10K OHM 1/4W 1%	1		C41		9555073	CONDENSATEUR C241 100NF	1														
R6		95612127	RESISTANCE C103 1,5K OHM 1/4W 5%	1		C42		9555073	CONDENSATEUR C241 100NF	1														
R7		95612127	RESISTANCE C103 1,5K OHM 1/4W 5%	1		C43		9555073	CONDENSATEUR C241 100NF	1														
R8	1	95612123	RESISTANCE C103 1K OHM 1/4W 5%	1		C44		9555073	CONDENSATEUR C241 100NF	1														
R9	1	95612123	RESISTANCE C103 1K OHM 1/4W 5%	1		C45		9555073	CONDENSATEUR C241 100NF	1														
R10		95612135	RESISTANCE C103 3,3K OHM 1/4W 5%	1		C46		9555073	CONDENSATEUR C241 100NF	1														
R11		95612101	RESISTANCE C103 120 OHM 1/4W 5%	1		C47		9555073	CONDENSATEUR C241 100NF	1														
R12		95612101	RESISTANCE C103 120 OHM 1/4W 5%	1		C48		9555073	CONDENSATEUR C241 100NF	1														
R13		95612101	RESISTANCE C103 120 OHM 1/4W 5%	1		C49		9555073	CONDENSATEUR C241 100NF	1														
R14	1	95612123	RESISTANCE C103 1K OHM 1/4W 5%	1		C50		9555073	CONDENSATEUR C241 100NF	1														
R15		95612134	RESISTANCE C103 3K OHM 1/4W 5%	1		C51		9555073	CONDENSATEUR C241 100NF	1														
R16		95612161	RESISTANCE C103 30K OHM 1/4W 5%	1		C52		9555073	CONDENSATEUR C241 100NF	1														
R17		95619784	RESISTANCE C109 10K OHM 1/4W 1%	1		C53		95566025	CONDENSATEUR 6,8UF 10V	1														
R18	1	95612123	RESISTANCE C103 1K OHM 1/4W 5%	1		C54		95562612	CONDENSATEUR RUBYCON 22UF 25V	1														
R19		95612137	RESISTANCE C103 3,9K OHM 1/4W 5%	1		C55		9555073	CONDENSATEUR C241 100NF	1														
R20		95612123	RESISTANCE C103 1K OHM 1/4W 5%	1		C56		9555073	CONDENSATEUR C241 100NF	1														
R21		95612327	RESISTANCE C106 2M OHM 1/4W 5%	1		C57		9555082	CONDENSATEUR CK06 820NF	1														
R22		95612129	RESISTANCE C103 1,8K OHM 1/4W 5%	1		C58		9555073	CONDENSATEUR C241 100NF	1														
R23		95612150	RESISTANCE C103 13K OHM 1/4W 5%	1		C59		9555073	CONDENSATEUR C241 100NF	1														
R24		95612134	RESISTANCE C103 3K OHM 1/4W 5%	1		C60		9555073	CONDENSATEUR C241 100NF	1														
R25		95612143	RESISTANCE C103 6,8K OHM 1/4W 5%	1		C61		95562612	CONDENSATEUR 22UF 25V	1														
R26		95612151	RESISTANCE C103 15K OHM 1/4W 5%	1		C62		9555073	CONDENSATEUR C241 100NF	1														
R27		95612134	RESISTANCE C103 3K OHM 1/4W 5%	1		C63		9555073	CONDENSATEUR C241 100NF	1														
R28		95612137	RESISTANCE C103 3,9K OHM 1/4W 5%	1		C64		9555073	CONDENSATEUR C241 100NF	1														
R29	2	95612143	RESISTANCE C103 6,8K OHM 1/4W 5%	1		C65		9555073	CONDENSATEUR C241 100NF	1														
R30		95612123	RESISTANCE C103 1K OHM 1/4W 5%	1		C66		9555073	CONDENSATEUR C241 100NF	1														
R31		95612137	RESISTANCE C103 3,9K OHM 1/4W 5%	1		C67		9555012	CONDENSATEUR C241 100PF	1														
R32		95612123	RESISTANCE C103 1K OHM 1/4W 5%	1		C68		95562402	CONDENSATEUR RUBYCON 1UF 50V	1														
R33		95612129	RESISTANCE C103 1,8K OHM 1/4W 5%	1		J1		95161075	AFFICHEUR 5082-7720	1														
R34		95619630	RESISTANCE C109 249 OHM 1/4W 1%	1		J2		95360191	CIRCUIT INTEGRE 74LS47	1														
R35		95612138	RESISTANCE C103 4,3K OHM 1/4W 5%	1		J3		95360196	CIRCUIT INTEGRE 74FCT1191	1														
R36	2	95619795	RESISTANCE C109 13K OHM 1/4W 1%	1		J4		95360196	CIRCUIT INTEGRE 74FCT1191	1														
R37	1	95612147	RESISTANCE C103 10K OHM 1/4W 5%	1		J5		95360196	CIRCUIT INTEGRE 74FCT1191	1														
R38	1	95650012	RESEAU DE RESISTANCE DIP14 7x470 OHM	1		J6		95363036	CIRCUIT INTEGRE 74FCT823	1														
R39		95656005	RESEAU DE RESISTANCE SIL 9.8 15K OHM	1		J7		95363036	CIRCUIT INTEGRE 74FCT823	1														
R40		95656005	RESEAU DE RESISTANCE SIL 9.8 15K OHM	1		J8		95360161	CIRCUIT INTEGRE MAX 6903	1														
R41		95650028	RESEAU DE RESISTANCE SIL 9.8 3,3K OHM	1		J9		95363027	CIRCUIT INTEGRE PAL 74HC08	1														
R42		95656005	RESEAU DE RESISTANCE SIL 9.8 15K OHM	1		J10		95363000	CIRCUIT INTEGRE 74LS74	1														
R43		95650028	RESEAU DE RESISTANCE SIL 9.8 3,3K OHM	1		J11		95360197	CIRCUIT INTEGRE 730LA-45-P	1														
C1		9555073	CONDENSATEUR C241 100NF	1		J12		95360197	CIRCUIT INTEGRE 730LA-45-P	1														
C2		9555073	CONDENSATEUR C241 100NF	1		J13		95360197	CIRCUIT INTEGRE 730LA-45-P	1														
C3		9555073	CONDENSATEUR C241 100NF	1		J14		95360197	CIRCUIT INTEGRE 730LA-45-P	1														
C4		9555073	CONDENSATEUR C241 100NF	1		J15		95360197	CIRCUIT INTEGRE 730LA-45-P	1														
C5		9555073	CONDENSATEUR C241 100NF	1		J16		95360159	CIRCUIT INTEGRE 730LA-35-P	1														
C6		9555073	COND																					

SCHEMATA / CIRCUIT DIAGRAMS

Optical Madisoni 2 Madi Input Board 42.125.303.01
Coax Madisoni 2 Madi Input Board 42.125.303.11

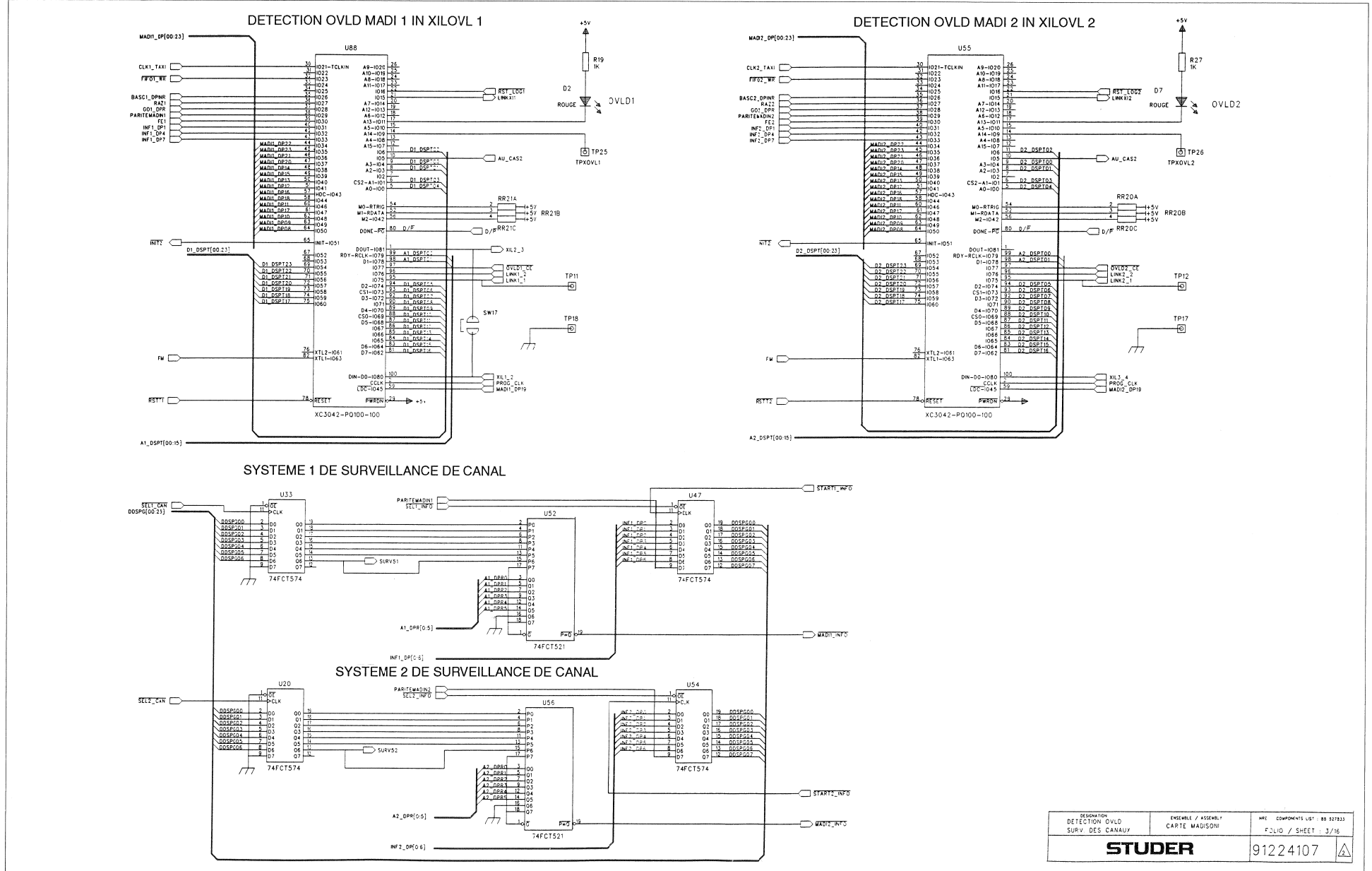
Optical Madisoni 2 Madi Input Board 42.125.303.01
Coax Madisoni 2 Madi Input Board 42.125.303.11



REGISTRATION Registers GENIO/GENI	EMBALE / ASSEMBLÉ CARTE MADISONI	N° / COMMENTS LIST #1 517833 FOLIO / SHEET 2/16
STUDER		91224107

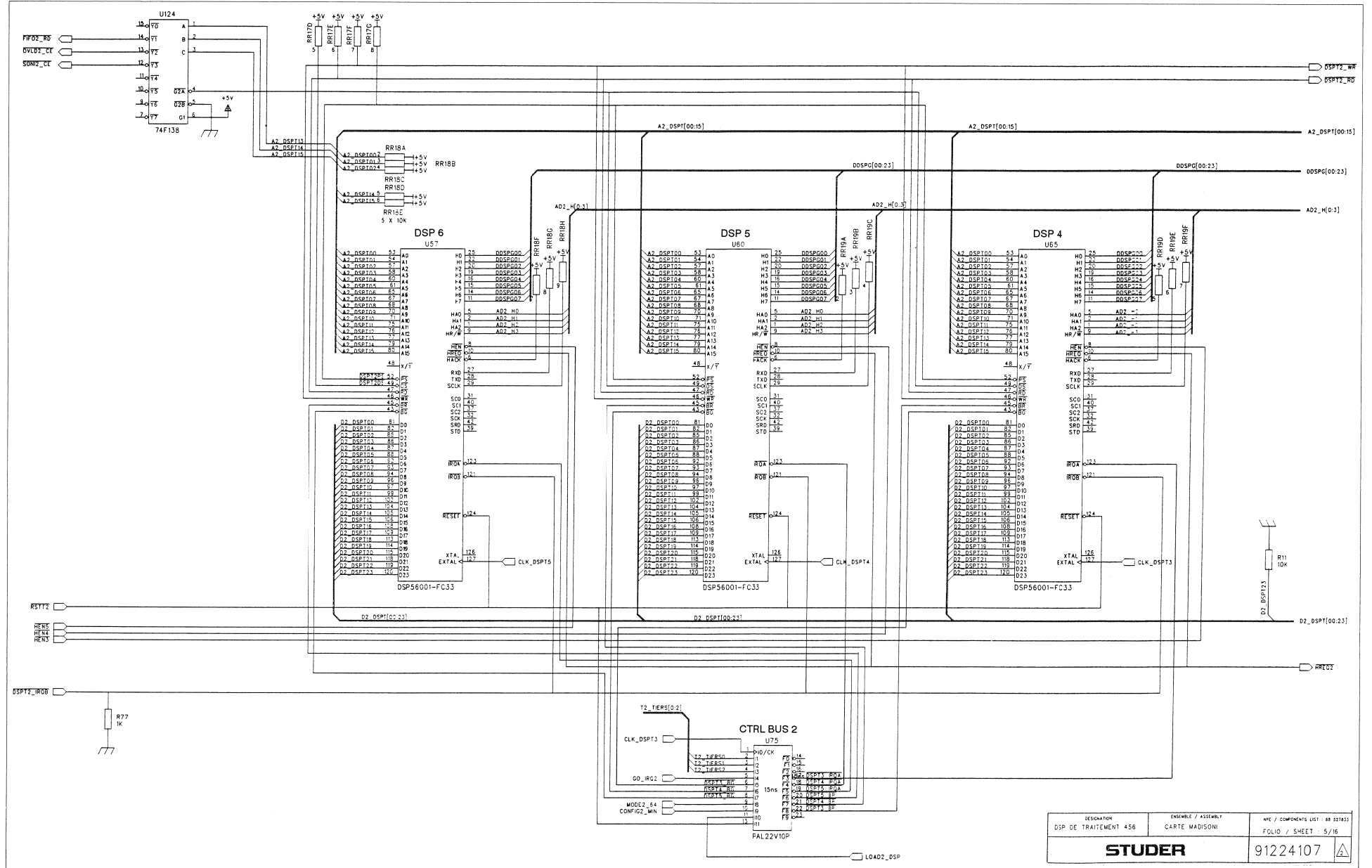


Optical Madisoni 2 Madi Input Board 42.125.303.01
 Coax Madisoni 2 Madi Input Board 42.125.303.11



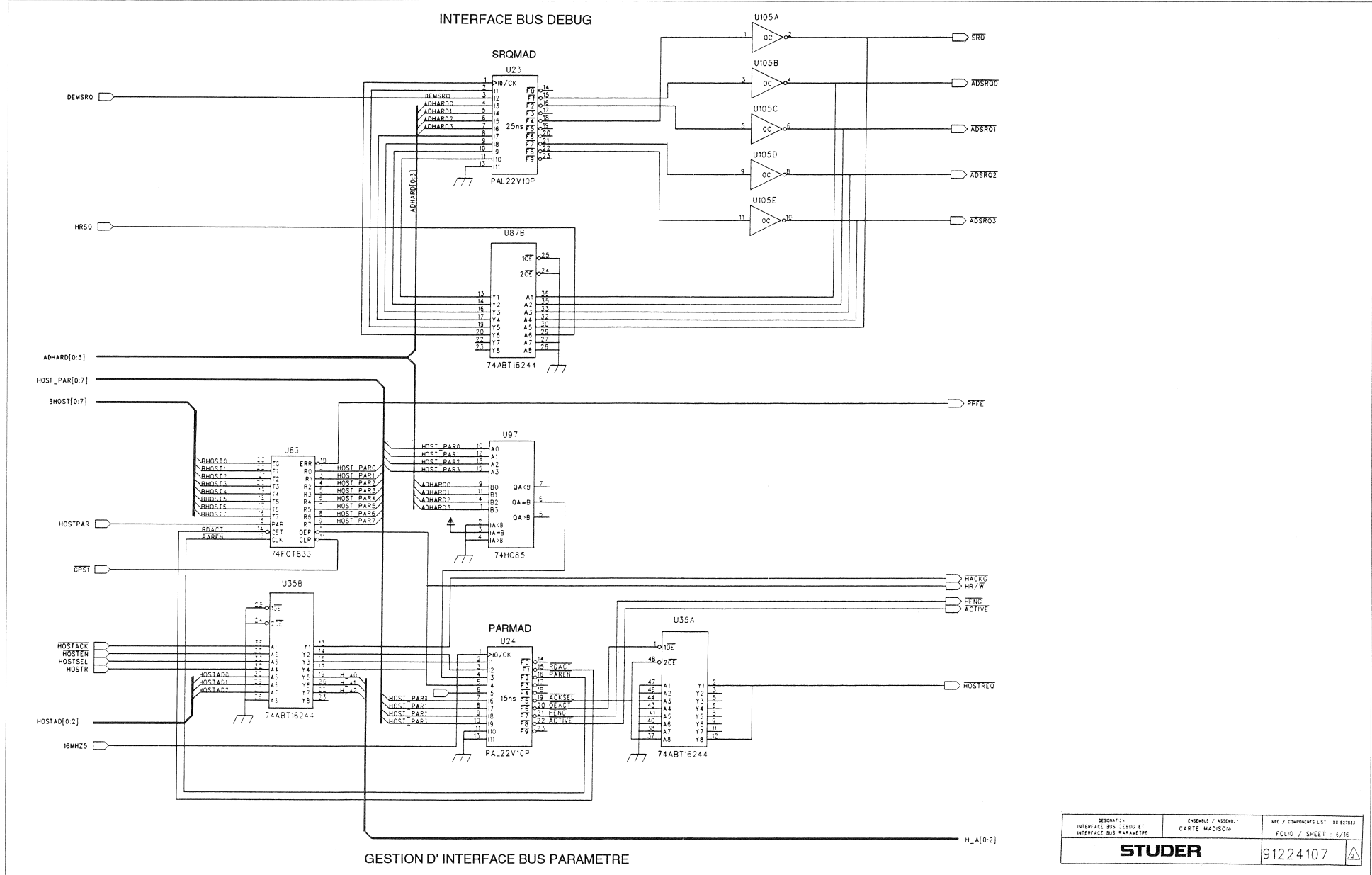
DESIGNATION DETECTION OVLD SURV DES CANAUX	ENSEMBLE / ASSEMBLÉ CARTE MADISONI	N°E COMPONENTS LIST : BS 327823 FOLIO / SHEET : 3/16
STUDER		91224107

Optical Madisoni 2 Madi Input Board 42.125.303.01
Coax Madisoni 2 Madi Input Board 42.125.303.11



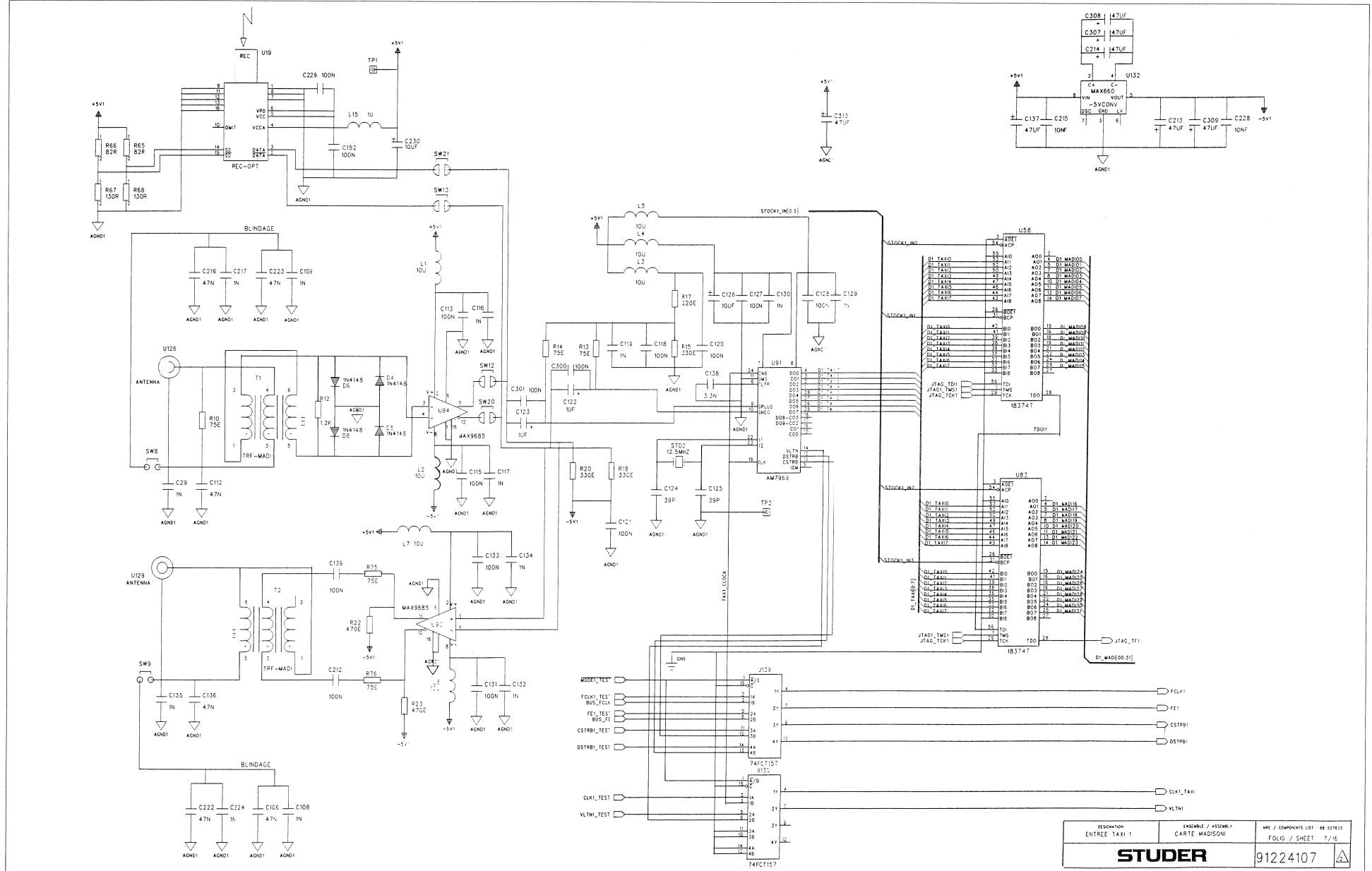


Optical Madisoni 2 Madi Input Board 42.125.303.01
Coax Madisoni 2 Madi Input Board 42.125.303.11



DESIGN: 12 INTERFACE BUS DEBUG E1 INTERFACE BUS PARAMETRE	ENSEMBLÉ / ASSEMBLÉ CARTE MADISONI	N°E / COMPONENTS LIST DE 512933 FOLIO / SHEET : 6/16
STUDER		91224107

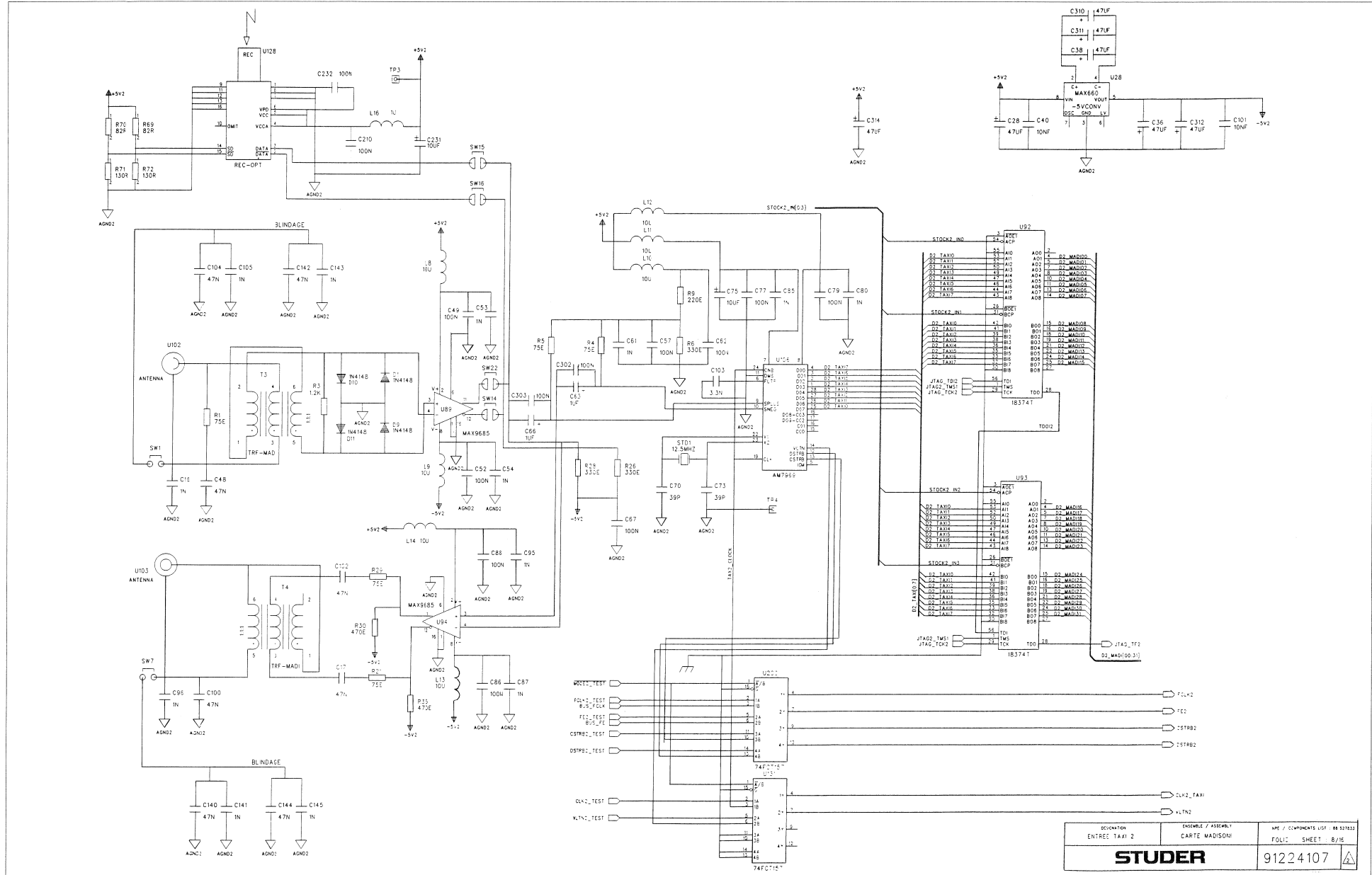
Optical Madisoni 2 Madi Input Board 42.125.303.01
 Coax Madisoni 2 Madi Input Board 42.125.303.11



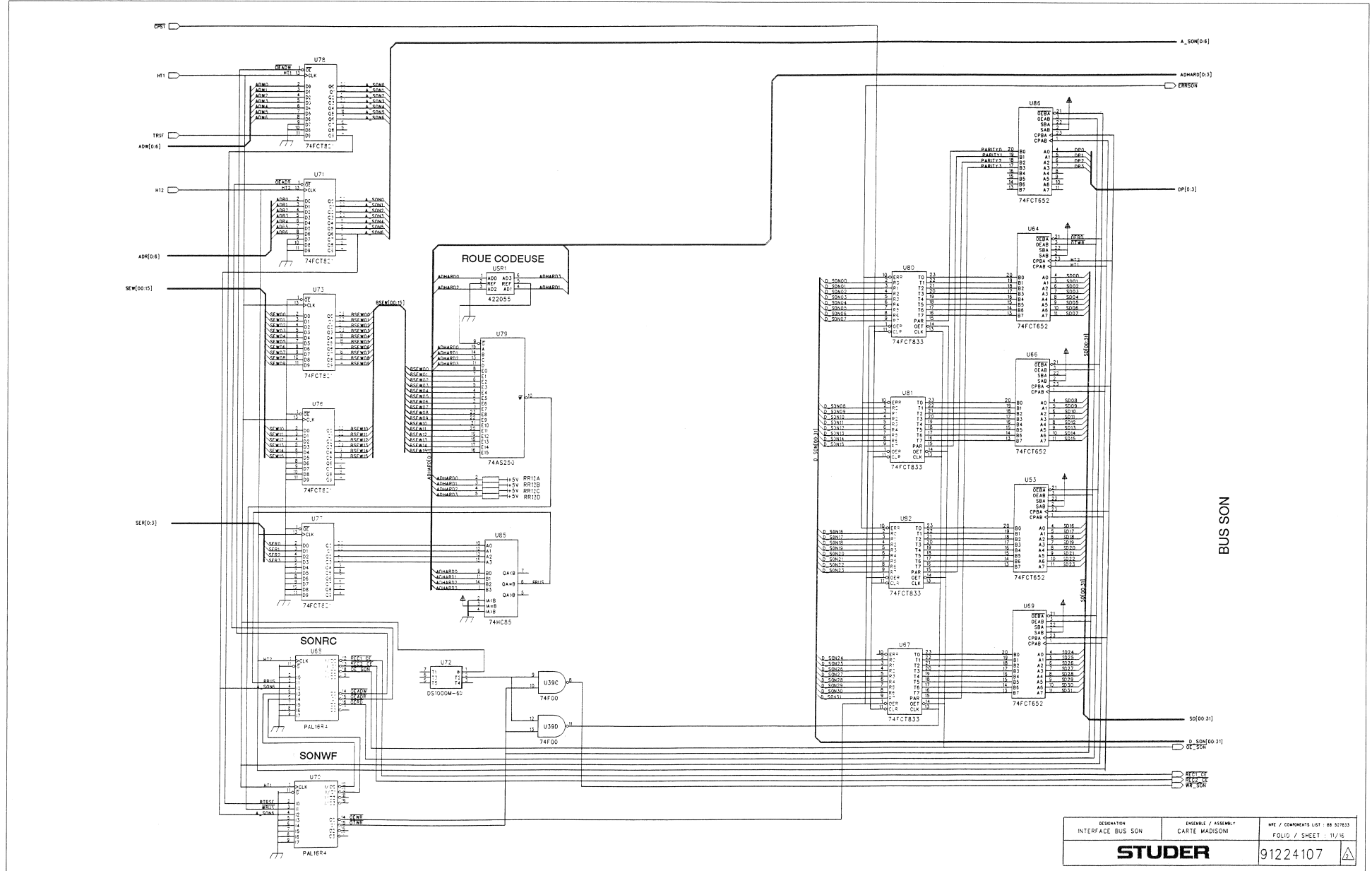
DESIGNATION ENTREE TAXI 1	SEMBLE / ASSEMBLY CARTE MADISONI	REF / COMMENTS LIST 42.125.303.01
FOLIO / SHEET 7/18		91224107



Optical Madisoni 2 Madi Input Board 42.125.303.01
Coax Madisoni 2 Madi Input Board 42.125.303.11



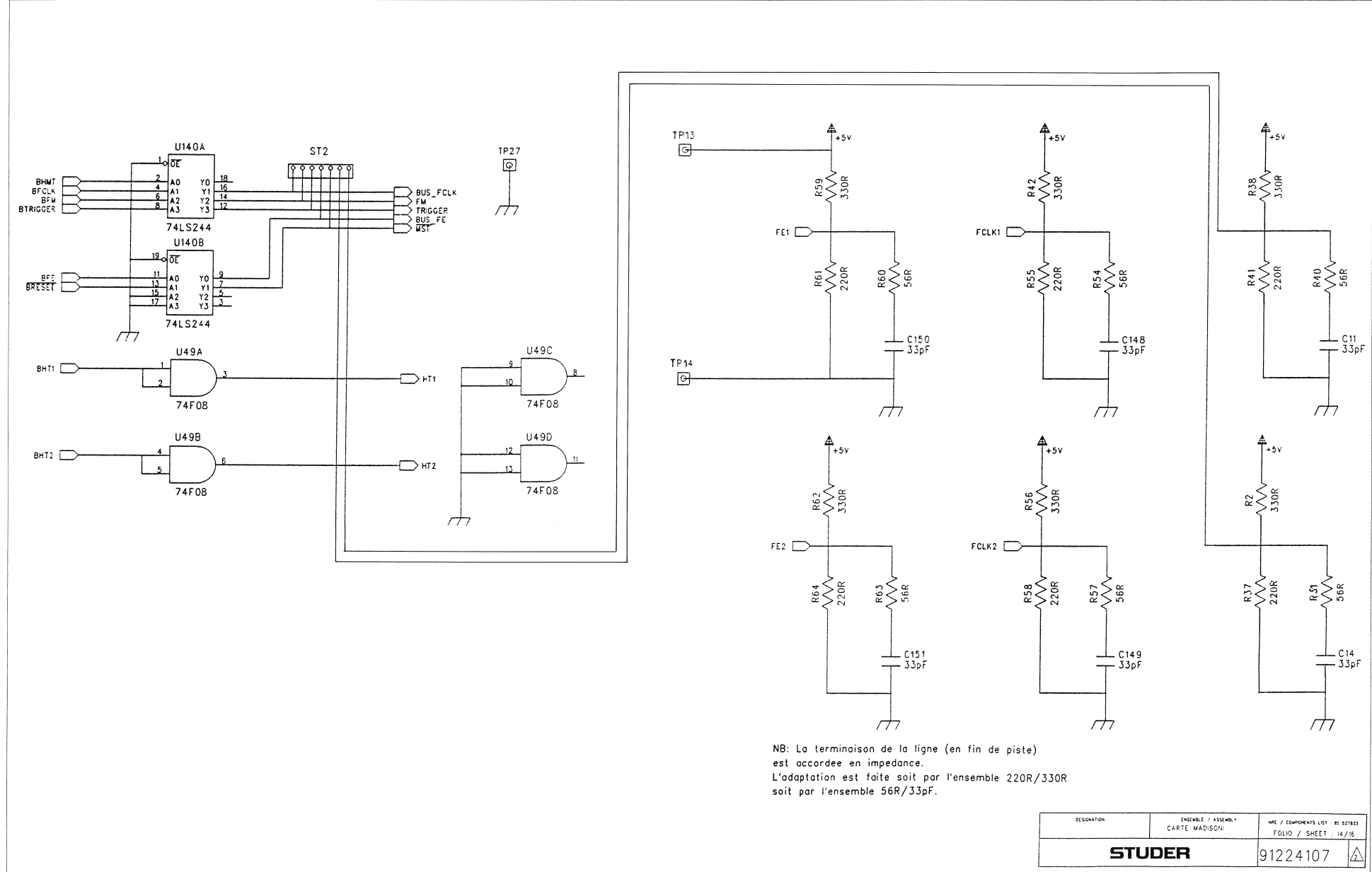
Optical Madisoni 2 Madi Input Board 42.125.303.01
 Coax Madisoni 2 Madi Input Board 42.125.303.11



DESIGNATION INTERFACE BUS SON	ENSEMBLE / ASSEMBLY CARTE MADISONI	N°E / COMPONENTS LIST 88 527833 FOLIO / SHEET : 11/16
STUDER		91224107



Optical Madisoni 2 Madi Input Board 42.125.303.01
 Coax Madisoni 2 Madi Input Board 42.125.303.11



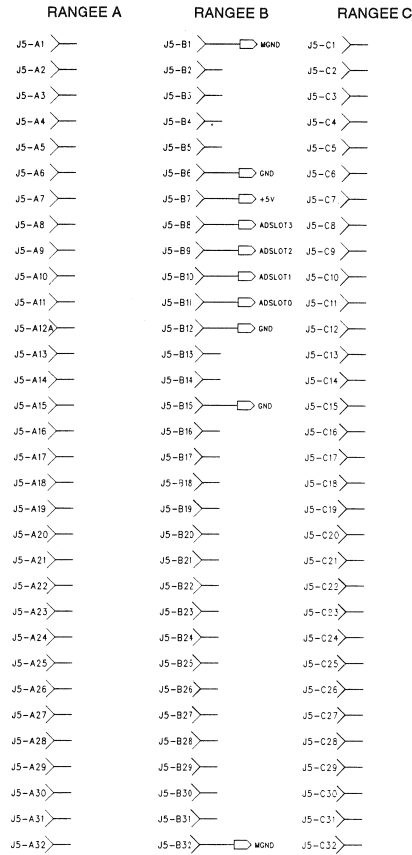
NB: La terminaison de la ligne (en fin de piste) est accordee en impendance.
 L'adaptation est faite soit par l'ensemble 220R/330R soit par l'ensemble 56R/33pF.

DESIGNATION	ENSEMBLE / ASSEMBLY CARTE MADISONI	N°E / EQUIPMENTS LIST: RE 507833 FOLIO / SHEET : 14/16
STUDER		91224107

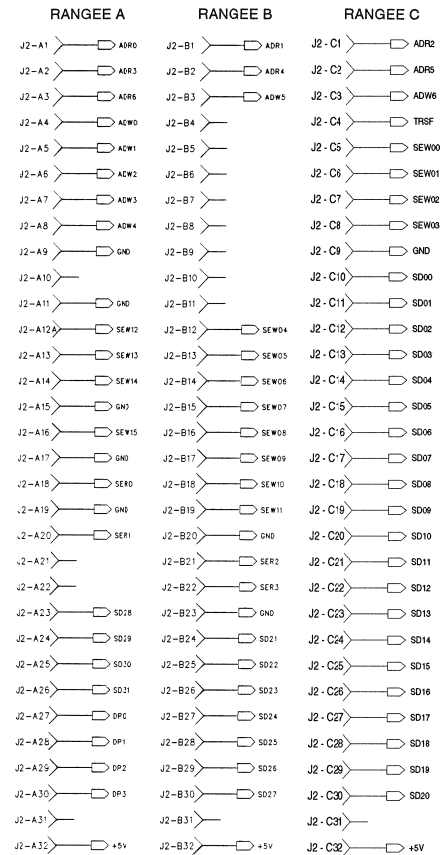
Optical Madisoni 2 Madi Input Board 42.125.303.01
Coax Madisoni 2 Madi Input Board 42.125.303.11



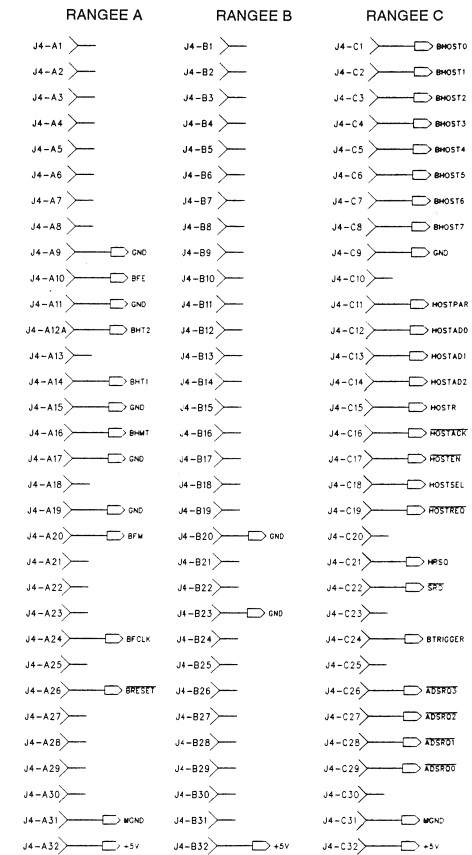
CONNECTEUR SUPERIEUR



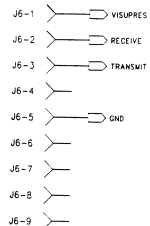
CONNECTEUR MILIEU



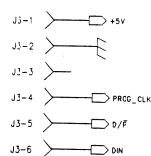
CONNECTEUR INFERIEUR



CONNECTEUR DEBUG



CONNECTEUR PROG XILINX

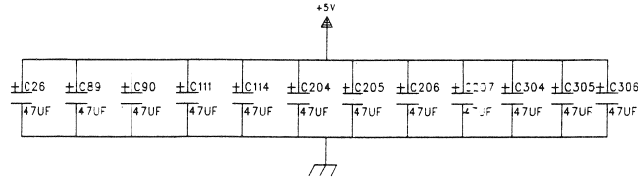


DESIGNATION: CONNECTEURS	ENSEMBLE / ASSEMBLÉ CARTE MADISONI	N°E COMPOSANTS LIST: 88 527833 F.C. / SHEET 15/16
STUDER		91224107

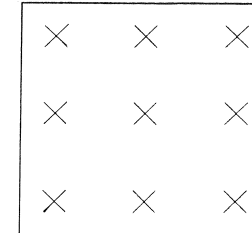


Optical Madisoni 2 Madi Input Board 42.125.303.01
 Coax Madisoni 2 Madi Input Board 42.125.303.11

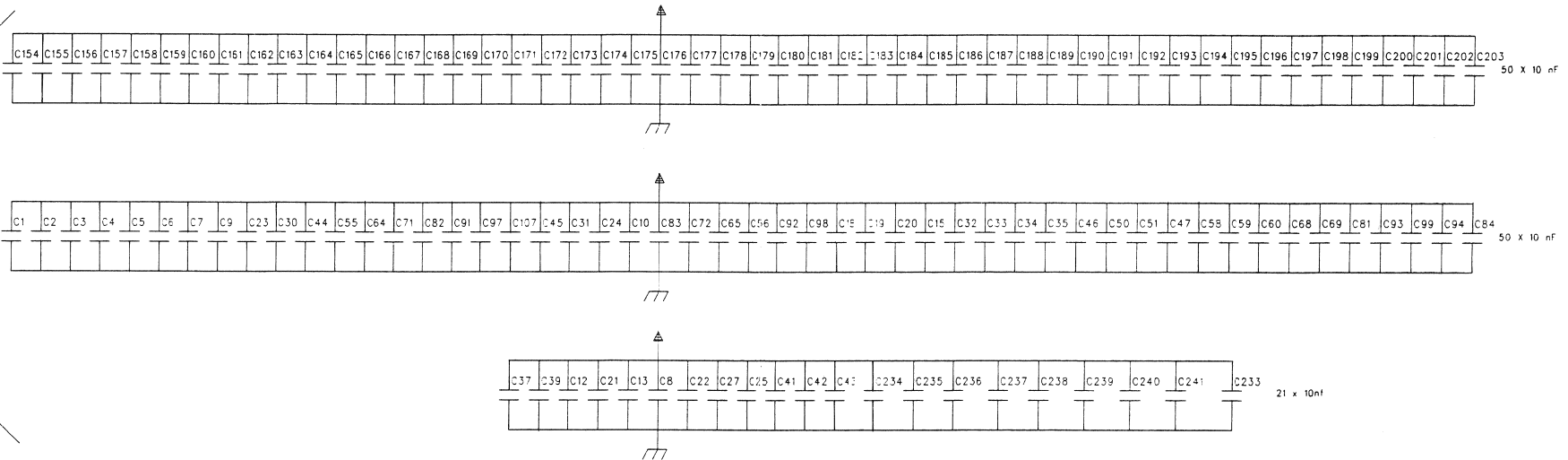
CONDENSATEURS DECOUPLAGE
 COUCHES D'ALIMENTATIONS



CARTE MADISONI

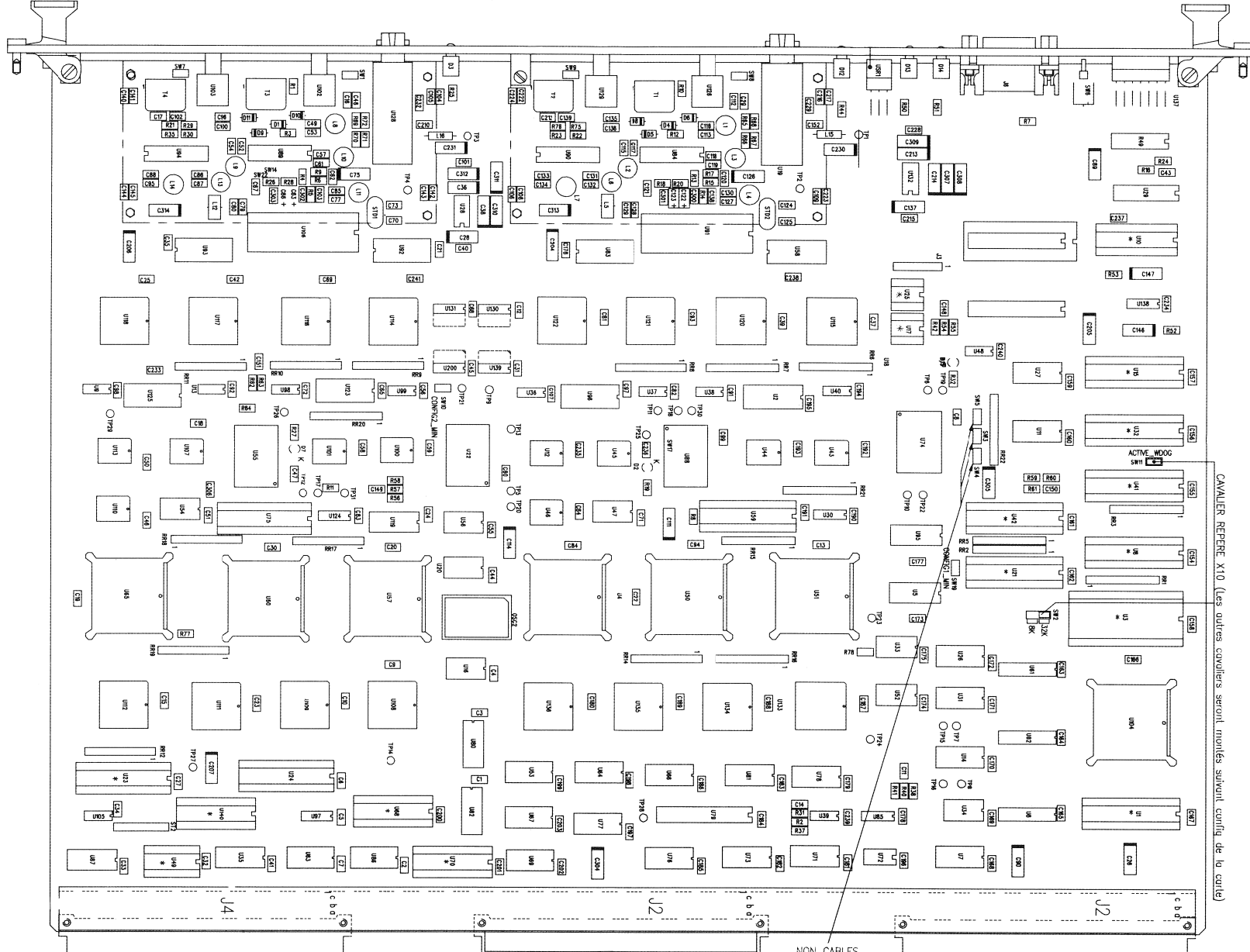
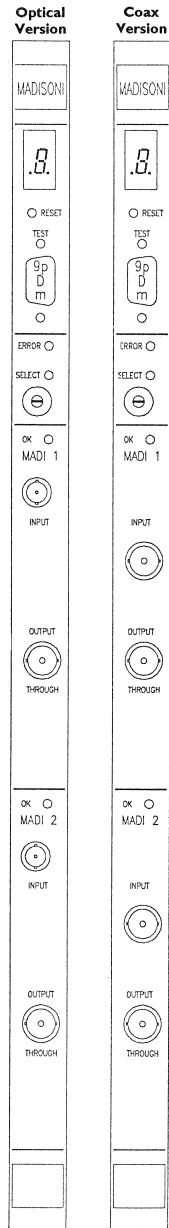


CONDENSATEURS
 DECOUPLAGE
 BOITIERIS



DESIGNATION CAPACITES DE DECOUPLAGE	ENSEMBLE / ASSEMBLY CARTE MADISONI	NRE / COMPONENTS LIST FOLIO / SHEET	RE 517833 16/16
STUDER		91224107	

Optical Madison 2 Madi Input Board 42.125.303.01
Coax Madison 2 Madi Input Board 42.125.303.11



Optical Madisoni 2 Madi Input Board 42.125.301.01
Coax Madisoni 2 Madi Input Board 42.125.303.1 I

Table with multiple columns: MODIF., IND., Xxxxajout., IND., Xxxxmodif., ref., et/ou valeur., IND., Xxxxsuppression. It lists various components, their designations, values, and locations across different boards.

Optical Madisoni 2 Madi Input Board 42.125.303.01
Coax Madisoni 2 Madi Input Board 42.125.303.11



REPERE	IND	COMPOSANT	DESIGNATION	VALEUR	QTE	FABRIQ.	BOITIER	REPERE	IND	COMPOSANT	DESIGNATION	VALEUR	QTE	FABRIQ.	BOITIER
C29	1m		CONDENSATEUR	2C1 1nf 20%	1		1206	C121			CONDENSATEUR	2C1 100nf 20%	1		1206
C30	1m		CONDENSATEUR	2C1 10 nf 20%	1		1206	C122			CONDENSATEUR	293D 1µf 16V	1	SPRAGUE	CASE A
C31	1m		CONDENSATEUR	2C1 10 nf 20%	1		1206	C123			CONDENSATEUR	293D 1µf 16V	1	SPRAGUE	CASE A
C32	1m		CONDENSATEUR	2C1 10 nf 20%	1		1206	C124	1m		CONDENSATEUR	NPO 39pf 5%	1		1206
C33	1m		CONDENSATEUR	2C1 10 nf 20%	1		1206	C125	1m		CONDENSATEUR	NPO 39pf 5%	1		1206
C34	1m		CONDENSATEUR	2C1 10 nf 20%	1		1206	C126	2m		CONDENSATEUR	293D 10µf 35V	1	SPRAGUE	CASE D
C35	1m		CONDENSATEUR	2C1 10 nf 20%	1		1206	C127			CONDENSATEUR	2C1 100nf 20%	1		1206
C36	2m		CONDENSATEUR	293D 47 µf 10V	1	SPRAGUE	CASE D	C128			CONDENSATEUR	2C1 100nf 20%	1		1206
C37	1m		CONDENSATEUR	2C1 10 nf 20%	1		1206	C129			CONDENSATEUR	2C1 1nf 20%	1		1206
C38	2m		CONDENSATEUR	293D 47 µf 10V	1	SPRAGUE	CASE D	C130			CONDENSATEUR	2C1 1nf 20%	1		1206
C39	1m		CONDENSATEUR	2C1 10 nf 20%	1		1206	C131			CONDENSATEUR	2C1 100nf 20%	1		1206
C40	1m		CONDENSATEUR	2C1 10nf 20%	1		1206	C132			CONDENSATEUR	2C1 1nf 20%	1		1206
C41	1m		CONDENSATEUR	2C1 10 nf 20%	1		1206	C133			CONDENSATEUR	2C1 100nf 20%	1		1206
C42	1m		CONDENSATEUR	2C1 10 nf 20%	1		1206	C134			CONDENSATEUR	2C1 1nf 20%	1		1206
C43	1m		CONDENSATEUR	2C1 10 nf 20%	1		1206	C135	1m		CONDENSATEUR	2C1 1nf 20%	1		1206
C44	1m		CONDENSATEUR	2C1 10 nf 20%	1		1206	C136	1m		CONDENSATEUR	2C1 47nf 20%	1		1206
C45	1m		CONDENSATEUR	2C1 10 nf 20%	1		1206	C137	2m		CONDENSATEUR	293D 10µf 35V	1	SPRAGUE	CASE D
C46	1m		CONDENSATEUR	2C1 10 nf 20%	1		1206	C138			CONDENSATEUR	2C1 3.3nf 20%	1		1206
C47	1m		CONDENSATEUR	2C1 10 nf 20%	1		1206	C139			CONDENSATEUR	2C1 100nf 20%	1		1206
C48	1m		CONDENSATEUR	2C1 47nf 20%	1		1206	C140	1m		CONDENSATEUR	2C1 47nf 20%	1		1206
C49			CONDENSATEUR	2C1 100nf 20%	1		1206	C141	1m		CONDENSATEUR	2C1 1nf 20%	1		1206
C50	1m		CONDENSATEUR	2C1 10 nf 20%	1		1206	C142			CONDENSATEUR	2C1 47nf 20%	1		1206
C51	1m		CONDENSATEUR	2C1 10 nf 20%	1		1206	C143	1m		CONDENSATEUR	2C1 1nf 20%	1		1206
C52			CONDENSATEUR	2C1 100nf 20%	1		1206	C144	1m		CONDENSATEUR	2C1 47nf 20%	1		1206
C53			CONDENSATEUR	2C1 1nf 20%	1		1206	C145	1m		CONDENSATEUR	2C1 1nf 20%	1		1206
C54			CONDENSATEUR	2C1 1nf 20%	1		1206	C146	1m		CONDENSATEUR	293D 47µf 10V	1	SPRAGUE	CASE D
C55	1m		CONDENSATEUR	2C1 10 nf 20%	1		1206	C147	1m		CONDENSATEUR	293D 47µf 10V	1	SPRAGUE	CASE D
C56	1m		CONDENSATEUR	2C1 10 nf 20%	1		1206	C148	1m		CONDENSATEUR	2C1 33pf 20%	1		1206
C57			CONDENSATEUR	2C1 100nf 20%	1		1206	C149	1m		CONDENSATEUR	2C1 33pf 20%	1		1206
C58	1m		CONDENSATEUR	2C1 10 nf 20%	1		1206	C150	1m		CONDENSATEUR	2C1 33pf 20%	1		1206
C59	1m		CONDENSATEUR	2C1 10 nf 20%	1		1206	C151	1m		CONDENSATEUR	2C1 33pf 20%	1		1206
C60	1m		CONDENSATEUR	2C1 10 nf 20%	1		1206	C152			CONDENSATEUR	2C1 100nf 20%	1		1206
C61			CONDENSATEUR	2C1 1nf 20%	1		1206	C153	2s		CONDENSATEUR	2C1 100nf 20%	10		1206
C62			CONDENSATEUR	2C1 100nf 20%	1		1206	C154	1m		CONDENSATEUR	2C1 10 nf 20%	1		1206
C63			CONDENSATEUR	293D 1µf 16V	1	SPRAGUE	CASE A	C155	1m		CONDENSATEUR	2C1 10 nf 20%	1		1206
C64	1m		CONDENSATEUR	2C1 10 nf 20%	1		1206	C156	1m		CONDENSATEUR	2C1 10 nf 20%	1		1206
C65	1m		CONDENSATEUR	2C1 10 nf 20%	1		1206	C157	1m		CONDENSATEUR	2C1 10 nf 20%	1		1206
C66			CONDENSATEUR	293D 1µf 16V	1	SPRAGUE	CASE A	C158	1m		CONDENSATEUR	2C1 10 nf 20%	1		1206
C67			CONDENSATEUR	2C1 100nf 20%	1		1206	C159	1m		CONDENSATEUR	2C1 10 nf 20%	1		1206
C68	1m		CONDENSATEUR	2C1 10 nf 20%	1		1206	C160	1m		CONDENSATEUR	2C1 10 nf 20%	1		1206
C69	1m		CONDENSATEUR	2C1 10 nf 20%	1		1206	C161	1m		CONDENSATEUR	2C1 10 nf 20%	1		1206
C70	1m		CONDENSATEUR	NPO 39pf 5%	1		1206	C162	1m		CONDENSATEUR	2C1 10 nf 20%	1		1206
C71	1m		CONDENSATEUR	2C1 10 nf 20%	1		1206	C163	1m		CONDENSATEUR	2C1 10 nf 20%	1		1206
C72	1m		CONDENSATEUR	2C1 10 nf 20%	1		1206	C164	1m		CONDENSATEUR	2C1 10 nf 20%	1		1206
C73	1m		CONDENSATEUR	NPO 39pf 5%	1		1206	C165	1m		CONDENSATEUR	2C1 10 nf 20%	1		1206
C75	2m		CONDENSATEUR	293D 10µf 35V	1	SPRAGUE	CASE D	C166	1m		CONDENSATEUR	2C1 10 nf 20%	1		1206
C77			CONDENSATEUR	2C1 100nf 20%	1		1206	C167	1m		CONDENSATEUR	2C1 10 nf 20%	1		1206
C79			CONDENSATEUR	2C1 100nf 20%	1		1206	C168	1m		CONDENSATEUR	2C1 10 nf 20%	1		1206
C80			CONDENSATEUR	2C1 1nf 20%	1		1206	C169	1m		CONDENSATEUR	2C1 10 nf 20%	1		1206
C81	1m		CONDENSATEUR	2C1 10 nf 20%	1		1206	C170	1m		CONDENSATEUR	2C1 10 nf 20%	1		1206
C82	1m		CONDENSATEUR	2C1 10 nf 20%	1		1206	C171	1m		CONDENSATEUR	2C1 10 nf 20%	1		1206
C83	1m		CONDENSATEUR	2C1 10 nf 20%	1		1206	C172	1m		CONDENSATEUR	2C1 10 nf 20%	1		1206
C84	1m		CONDENSATEUR	2C1 10 nf 20%	1		1206	C173	1m		CONDENSATEUR	2C1 10 nf 20%	1		1206
C85			CONDENSATEUR	2C1 1nf 20%	1		1206	C174	1m		CONDENSATEUR	2C1 10 nf 20%	1		1206
C86			CONDENSATEUR	2C1 100nf 20%	1		1206	C175	1m		CONDENSATEUR	2C1 10 nf 20%	1		1206
C87			CONDENSATEUR	2C1 1nf 20%	1		1206	C176	1m		CONDENSATEUR	2C1 10 nf 20%	1		1206
C88			CONDENSATEUR	2C1 100nf 20%	1		1206	C177	1m		CONDENSATEUR	2C1 10 nf 20%	1		1206
C89	2m		CONDENSATEUR	293D 47 µf 10V	1	SPRAGUE	CASE D	C178	1m		CONDENSATEUR	2C1 10 nf 20%	1		1206
C90	2m		CONDENSATEUR	293D 47 µf 10V	1	SPRAGUE	CASE D	C179	1m		CONDENSATEUR	2C1 10 nf 20%	1		1206
C91	1m		CONDENSATEUR	2C1 10 nf 20%	1		1206	C180	1m		CONDENSATEUR	2C1 10 nf 20%	1		1206
C92	1m		CONDENSATEUR	2C1 10 nf 20%	1		1206	C181	1m		CONDENSATEUR	2C1 10 nf 20%	1		1206
C93	1m		CONDENSATEUR	2C1 10 nf 20%	1		1206	C182	1m		CONDENSATEUR	2C1 10 nf 20%	1		1206
C94	1m		CONDENSATEUR	2C1 10 nf 20%	1		1206	C183	1m		CONDENSATEUR	2C1 10 nf 20%	1		1206
C95			CONDENSATEUR	2C1 1nf 20%	1		1206	C184	1m		CONDENSATEUR	2C1 10 nf 20%	1		1206
C96	1m		CONDENSATEUR	2C1 1nf 20%	1		1206	C185	1m		CONDENSATEUR	2C1 10 nf 20%	1		1206
C97	1m		CONDENSATEUR	2C1 10 nf 20%	1		1206	C186	1m		CONDENSATEUR	2C1 10 nf 20%	1		1206
C98	1m		CONDENSATEUR	2C1 10 nf 20%	1		1206	C187	1m		CONDENSATEUR	2C1 10 nf 20%	1		1206
C99	1m		CONDENSATEUR	2C1 10 nf 20%	1		1206	C188	1m		CONDENSATEUR	2C1 10 nf 20%	1		1206
C100	1m		CONDENSATEUR	2C1 47nf 20%	1		1206	C189	1m		CONDENSATEUR	2C1 10 nf 20%	1		1206
C101	1m		CONDENSATEUR	2C1 10nf 20%	1		1206	C190	1m		CONDENSATEUR	2C1 10 nf 20%	1		1206
C102			CONDENSATEUR	2C1 47nf 20%	1		1206	C191	1m		CONDENSATEUR	2C1 10 nf 20%	1		1206
C103			CONDENSATEUR	2C1 3.3nf 20%	1		1206	C192	1m		CONDENSATEUR	2C1 10 nf 20%	1		1206
C104	1m		CONDENSATEUR	2C1 47nf 20%	1		1206	C193	1m		CONDENSATEUR	2C1 10 nf 20%	1		1206
C105	1m		CONDENSATEUR	2C1 1nf 20%	1		1206	C194	1m		CONDENSATEUR	2C1 10 nf 20%	1		1206
C106	1m		CONDENSATEUR	2C1 47nf 20%	1		1206	C195	1m		CONDENSATEUR	2C1 10 nf 20%	1		1206
C107	1m		CONDENSATEUR	2C1 10 nf 20%	1		1206	C196	1m		CONDENSATEUR	2C1 10 nf 20%	1		1206
C108	1m		CONDENSATEUR	2C1 1nf 20%	1		1206	C197	1m		CONDENSATEUR	2C1 10 nf 20%	1		1206
C109	1m		CONDENSATEUR	2C1 47nf 20%	1		1206	C198	1m		CONDENSATEUR	2C1 10 nf 20%	1		1206
C111	2m		CONDENSATEUR	293D 47 µf 10V	1	SPRAGUE	CASE D	C199	1m		CONDENSATEUR	2C1 10 nf 20%	1		1206
C112	1m		CONDENSATEUR	2C1 47nf 20%	1		1206	C200	1m		CONDENSATEUR	2C1 10 nf 20%	1		1206
C113			CONDENSATEUR	2C1 100nf 20%	1		1206	C201	1m		CONDENSATEUR	2C1 10 nf 20%	1		1206
C114	2m		CONDENSATEUR	293D 47 µf 10V	1	SPRAGUE	CASE D	C202	1m		CONDENSATEUR	2C1 10 nf 20%	1		1206
C115			CONDENSATEUR	2C1 100nf 20%	1		1206	C203	1m		CONDENSATEUR	2C1 10 nf 20%	1		1206
C116			CONDENSATEUR	2C1 1nf 20%	1		1206	C204	2m		CONDENSATEUR	293D 47 µf 10V	1	SPRAGUE	CASE D
C117			CONDENSATEUR	2C1 1nf 20%	1		1206	C205	2m		CONDENSATEUR	293D 47 µf 10V	1	SPRAGUE	CASE D
C118			CONDENSATEUR	2C1 100nf 20%	1		1206	C206	2m		CONDENSATEUR	293D 47 µf 10V	1	SPRAGUE	CASE D
C119			CONDENSATEUR	2C1 1nf 20%	1		1206	C207	2m		CONDENSATEUR	293D 47 µf 10V	1	SPRAGUE	CASE D
C120			CONDENSATEUR	2C1 100nf 20%	1		1206	C210	1m		CONDENSATEUR	2C1 100nf 20%	1		1206

Optical Madisoni 2 Madi Input Board 42.125.303.01
Coax Madisoni 2 Madi Input Board 42.125.303.11

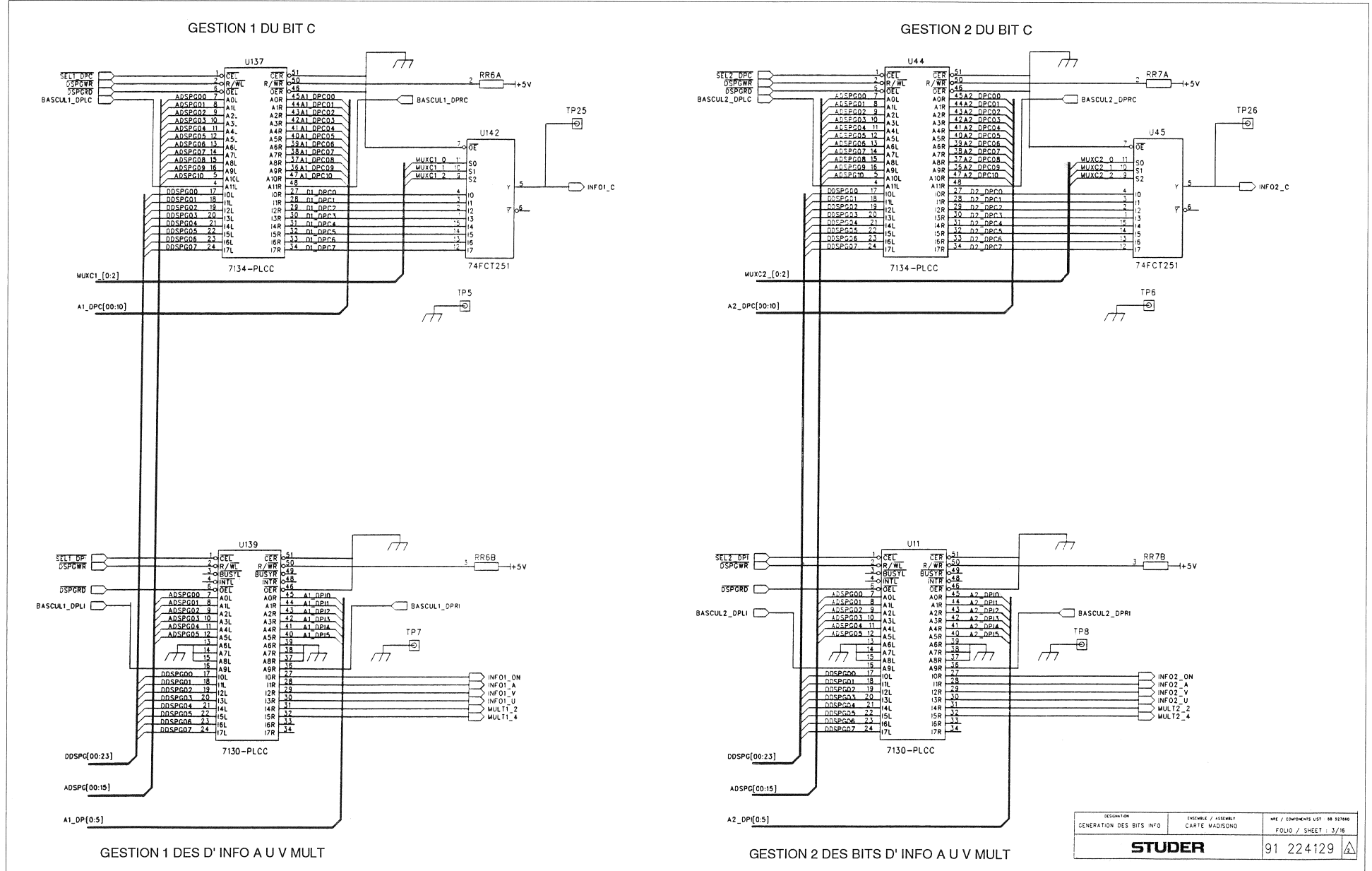


REPERE	IND	COMPOSANT	DESIGNATION	VALEUR	QTE	FABRIQ.	BOITIER	REPERE	IND	COMPOSANT	DESIGNATION	VALEUR	QTE	FABRIQ.	BOITIER
C211	2s		CONDENSATEUR	2C1 100nF 20%	0		1206	R60	1m		RESISTANCE	56,2Ω 1%	1/8W	1	1206
C212			CONDENSATEUR	2C1 100nF 20%	1		1206	R61	1m		RESISTANCE	220Ω 1%	1/8W	1	1206
C213	2m		CONDENSATEUR	2930 47 μF 10V	1	SPRAGUE	CASE D	R62	1m		RESISTANCE	330Ω 1%	1/8W	1	1206
C214	2m		CONDENSATEUR	2930 47 μF 10V	1	SPRAGUE	CASE D	R63	1m		RESISTANCE	56,2Ω 1%	1/8W	1	1206
C215	1m		CONDENSATEUR	2C1 10nF 20%	1		1206	R64	1m		RESISTANCE	220Ω 1%	1/8W	1	1206
C216	1m		CONDENSATEUR	2C1 4,7nF 20%	1		1206	R65			RESISTANCE	82,5Ω 1%	1/8W	1	1206
C217	1m		CONDENSATEUR	2C1 1nF 20%	1		1206	R66			RESISTANCE	82,5Ω 1%	1/8W	1	1206
C222	1m		CONDENSATEUR	2C1 1nF 20%	1		1206	R67			RESISTANCE	130Ω 1%	1/8W	1	1206
C223	1m		CONDENSATEUR	2C1 1nF 20%	1		1206	R68			RESISTANCE	130Ω 1%	1/8W	1	1206
C224	1m		CONDENSATEUR	2C1 4,7nF 20%	1		1206	R69			RESISTANCE	82,5Ω 1%	1/8W	1	1206
C228	1m		CONDENSATEUR	2C1 10nF 20%	1		1206	R70			RESISTANCE	82,5Ω 1%	1/8W	1	1206
C229			CONDENSATEUR	2C1 100nF 20%	1		1206	R71			RESISTANCE	130Ω 1%	1/8W	1	1206
C230	2m		CONDENSATEUR	2930 10μF 35V	1	SPRAGUE	CASE D	R72	1m		RESISTANCE	130Ω 1%	1/8W	1	1206
C231	2m		CONDENSATEUR	2930 10μF 35V	1	SPRAGUE	CASE D	R75			RESISTANCE	75Ω 1%	1/8W	1	1206
C232			CONDENSATEUR	2C1 100nF 20%	1		1206	R76			RESISTANCE	75Ω 1%	1/8W	1	1206
C233	2a		CONDENSATEUR	2C1 10nF 20%	1		1206	R77	1a		RESISTANCE	1K 1%	1/8W	1	1206
C234	1a		CONDENSATEUR	2C1 100nF 20%	1		1206	R78	1a		RESISTANCE	1K 1%	1/8W	1	1206
C235	1a		CONDENSATEUR	2C1 100nF 20%	1		1206								
C236	1a		CONDENSATEUR	2C1 100nF 20%	1		1206								
C237	1a		CONDENSATEUR	2C1 100nF 20%	1		1206								
C238	1a		CONDENSATEUR	2C1 100nF 20%	1		1206								
C239	1a		CONDENSATEUR	2C1 100nF 20%	1		1206								
C240	1a		CONDENSATEUR	2C1 100nF 20%	1		1206								
C241	1a		CONDENSATEUR	2C1 100nF 20%	1		1206								
C300			CONDENSATEUR	2C1 100nF 20%	1		1206								
C301			CONDENSATEUR	2C1 100nF 20%	1		1206								
C302			CONDENSATEUR	2C1 100nF 20%	1		1206								
C303			CONDENSATEUR	2C1 100nF 20%	1		1206								
C304	2m		CONDENSATEUR	2930 47 μF 10V	1	SPRAGUE	CASE D								
C305	2m		CONDENSATEUR	2930 47 μF 10V	1	SPRAGUE	CASE D								
C306			CONDENSATEUR	2C1 100nF 20%	1		1206								
C307	2m		CONDENSATEUR	2930 47 μF 10V	1	SPRAGUE	CASE D								
C308	2m		CONDENSATEUR	2930 47 μF 10V	1	SPRAGUE	CASE D								
C309	2m		CONDENSATEUR	2930 47 μF 10V	1	SPRAGUE	CASE D								
C310	2m		CONDENSATEUR	2930 47 μF 10V	1	SPRAGUE	CASE D								
C311	2m		CONDENSATEUR	2930 47 μF 10V	1	SPRAGUE	CASE D								
C312	2m		CONDENSATEUR	2930 47 μF 10V	1	SPRAGUE	CASE D								
C313	2m		CONDENSATEUR	2930 47 μF 10V	1	SPRAGUE	CASE D								
C314	2m		CONDENSATEUR	2930 47 μF 10V	1	SPRAGUE	CASE D								
R1			RESISTANCE	75Ω 1%			1/8W	1							1206
R2	1m		RESISTANCE	330Ω 1%			1/8W	1							1206
R3			RESISTANCE	1,2K 1%			1/8W	1							1206
R4			RESISTANCE	75Ω 1%			1/8W	1							1206
R5			RESISTANCE	75Ω 1%			1/8W	1							1206
R6			RESISTANCE	330Ω 1%			1/8W	1							1206
R7	1m		RESISTANCE	10K 1%			1/8W	1							1206
R8	1m		RESISTANCE	1K 1%			1/8W	1							1206
R9	1m		RESISTANCE	220Ω 1%			1/8W	1							1206
R10			RESISTANCE	75Ω 1%			1/8W	1							1206
R11	1m		RESISTANCE	1K 1%			1/8W	1							1206
R12			RESISTANCE	1,2K 1%			1/8W	1							1206
R13			RESISTANCE	75Ω 1%			1/8W	1							1206
R14			RESISTANCE	75Ω 1%			1/8W	1							1206
R15			RESISTANCE	330Ω 1%			1/8W	1							1206
R16	1m		RESISTANCE	4,75K 1%			1/8W	1							1206
R17			RESISTANCE	220Ω 1%			1/8W	1							1206
R18			RESISTANCE	330Ω 1%			1/8W	1							1206
R19	2a		RESISTANCE	1K 1%			1/8W	1							1206
R20			RESISTANCE	330Ω 1%			1/8W	1							1206
R21			RESISTANCE	75Ω 1%			1/8W	1							1206
R22			RESISTANCE	100Ω 1%			1/8W	1							1206
R23			RESISTANCE	100Ω 1%			1/8W	1							1206
R24	1m		RESISTANCE	9,76K 1%			1/8W	1							1206
R25	1m		RESISTANCE	1K 1%			1/8W	1							1206
R26			RESISTANCE	330Ω 1%			1/8W	1							1206
R27	2a		RESISTANCE	1K 1%			1/8W	1							1206
R28			RESISTANCE	330Ω 1%			1/8W	1							1206
R29			RESISTANCE	75Ω 1%			1/8W	1							1206
R30			RESISTANCE	100Ω 1%			1/8W	1							1206
R31	1m		RESISTANCE	56,2Ω 1%			1/8W	1							1206
R32	2a		RESISTANCE	1K 1%			1/8W	1							1206
R35			RESISTANCE	100Ω 1%			1/8W	1							1206
R37	1m		RESISTANCE	220Ω 1%			1/8W	1							1206
R38	1m		RESISTANCE	330Ω 1%			1/8W	1							1206
R40	1m		RESISTANCE	56,2Ω 1%			1/8W	1							1206
R41	1m		RESISTANCE	220Ω 1%			1/8W	1							1206
R42	1m		RESISTANCE	330Ω 1%			1/8W	1							1206
R44	1m		RESISTANCE	1K 1%			1/8W	1							1206
R50	1m		RESISTANCE	1K 1%			1/8W	1							1206
R51	1m		RESISTANCE	1K 1%			1/8W	1							1206
R52	1m		RESISTANCE	1,5K 1%			1/8W	1							1206
R53	1m		RESISTANCE	1,5K 1%			1/8W	1							1206
R54	1m		RESISTANCE	56,2Ω 1%			1/8W	1							1206
R55	1m		RESISTANCE	220Ω 1%			1/8W	1							1206
R56	1m		RESISTANCE	330Ω 1%			1/8W	1							1206
R57	1m		RESISTANCE	56,2Ω 1%			1/8W	1							1206
R58	1m		RESISTANCE	220Ω 1%			1/8W	1							1206
R59	1m		RESISTANCE	330Ω 1%			1/8W	1							1206

SCHEMATA / CIRCUIT DIAGRAMS

Optical Madisono 2 Madi Output Board 42.125.304.01
Coax Madisono 2 Madi Output Board 42.125.304.11

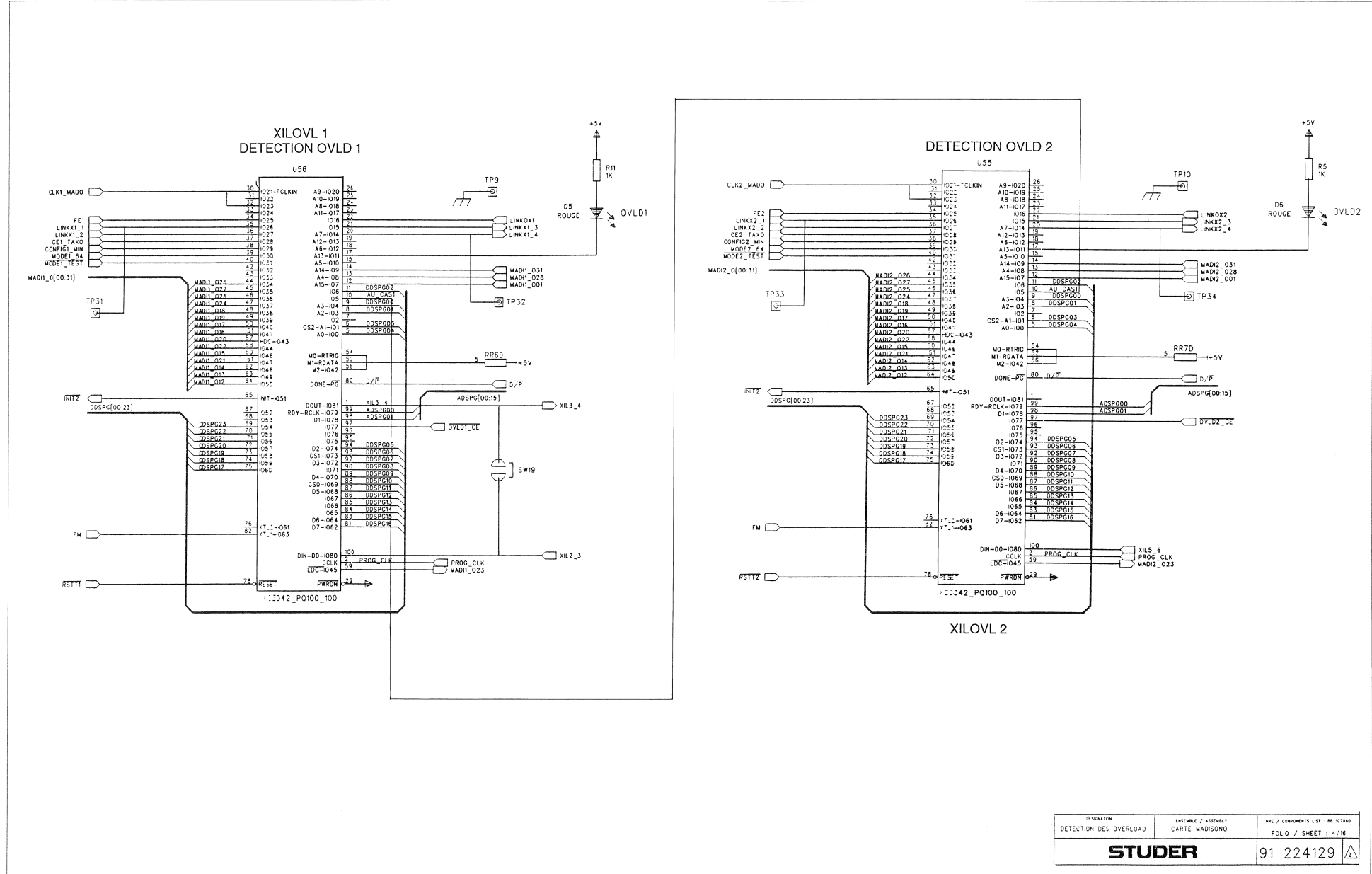
Optical Madisono 2 Madi Output Board 42.125.304.01
 Coax Madisono 2 Madi Output Board 42.125.304.11



DESIGNATION GENERATION DES BITS INFO	DATE / ASSEMBLY CARTE MADISONO	N°E / EQUIPEMENTS LIST FOLIO / SHEET : 3/16
STUDER		91 224129

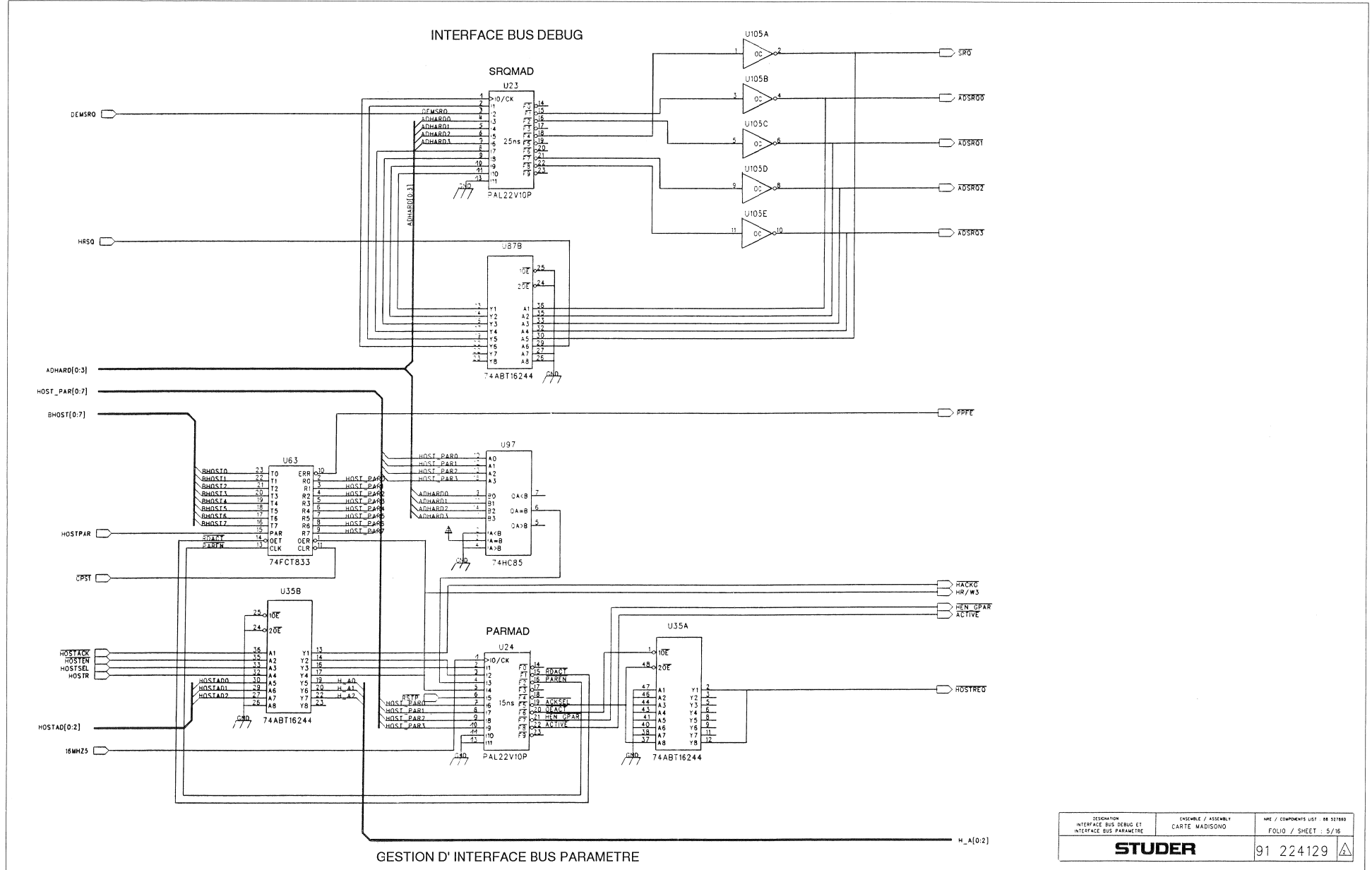


Optical Madisono 2 Madi Output Board 42.125.304.01
Coax Madisono 2 Madi Output Board 42.125.304.11



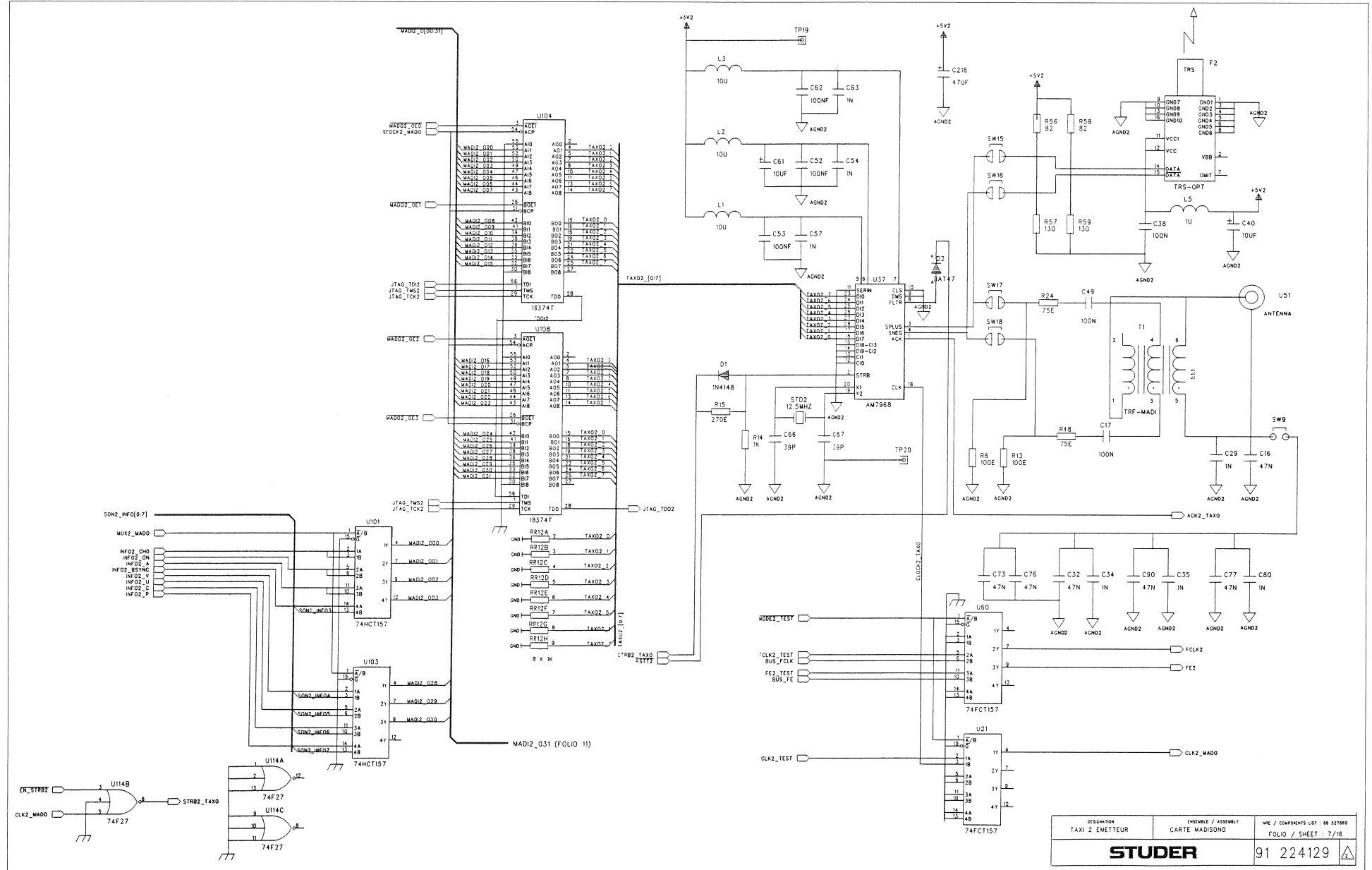
DESIGNATION	ENSEMBLE / ASSEMBLY	NOM / COMPONENTS LIST
DETECTION DES OVERLOAD	CARTE MADISONO	RD 027800
FOLIO / SHEET : 4/16		
STUDER		91 224129

Optical Madisono 2 Madi Output Board 42.125.304.01
 Coax Madisono 2 Madi Output Board 42.125.304.11



DESIGNATION INTERFACE BUS DEBUG ET INTERFACE BUS PARAMETRE	ENSEMBLE / ASSEMBLY CARTE MADISONO	NRE / COMPONENTS LIST : 08 52780 FOLIO / SHEET : 5/16
STUDER		91 224129

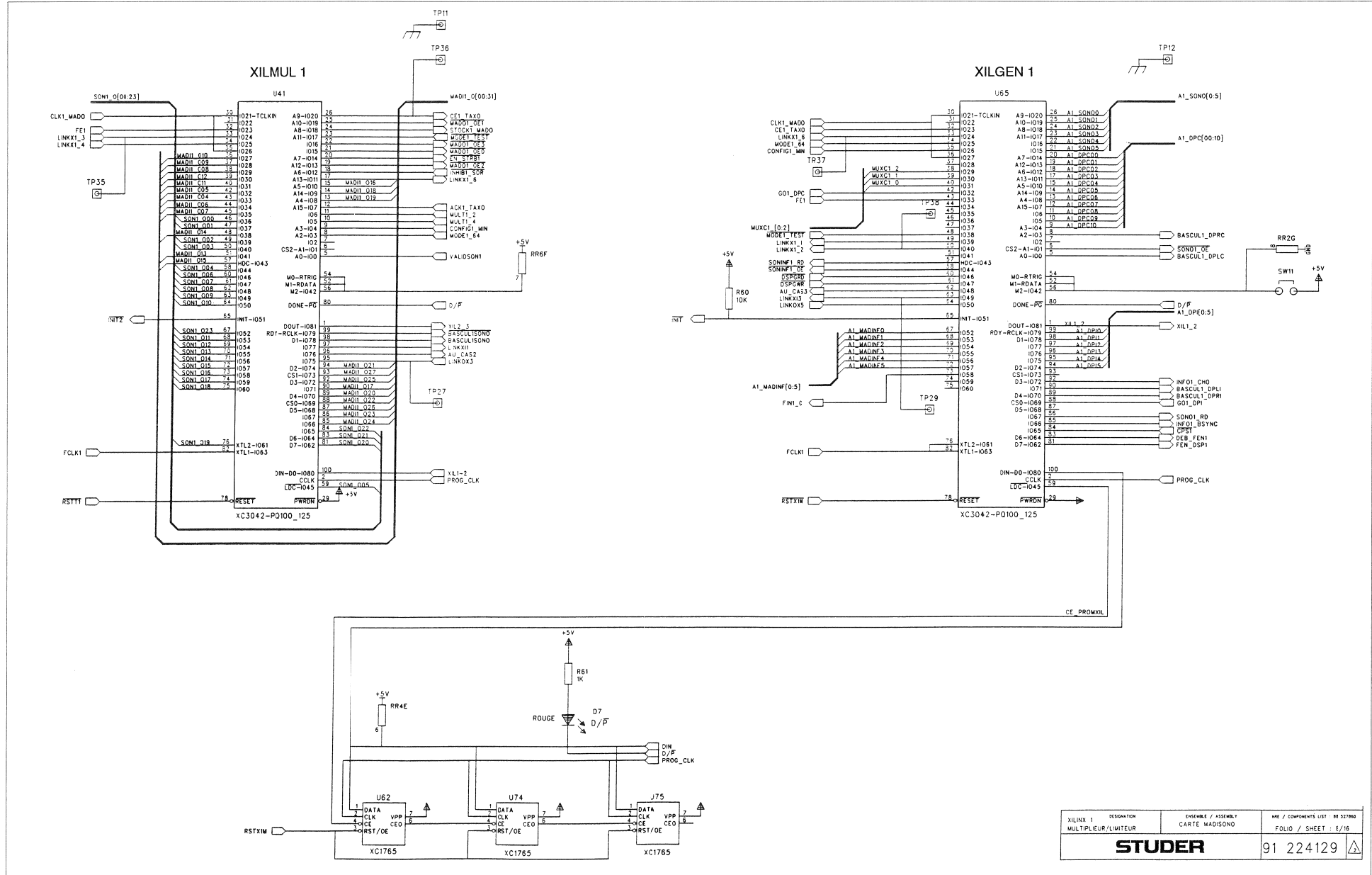
Optical Madisono 2 Madi Output Board 42.125.304.01
 Coax Madisono 2 Madi Output Board 42.125.304.11



DESIGNATION TAXI 2 EMETTEUR	ENSEMBLE / ASSEMBLÉ CARTE MADISONO	N°E / COMPONENTS LIST : 00 327800 FOLIO / SHEET : 7 / 16
STUDER		91 224129

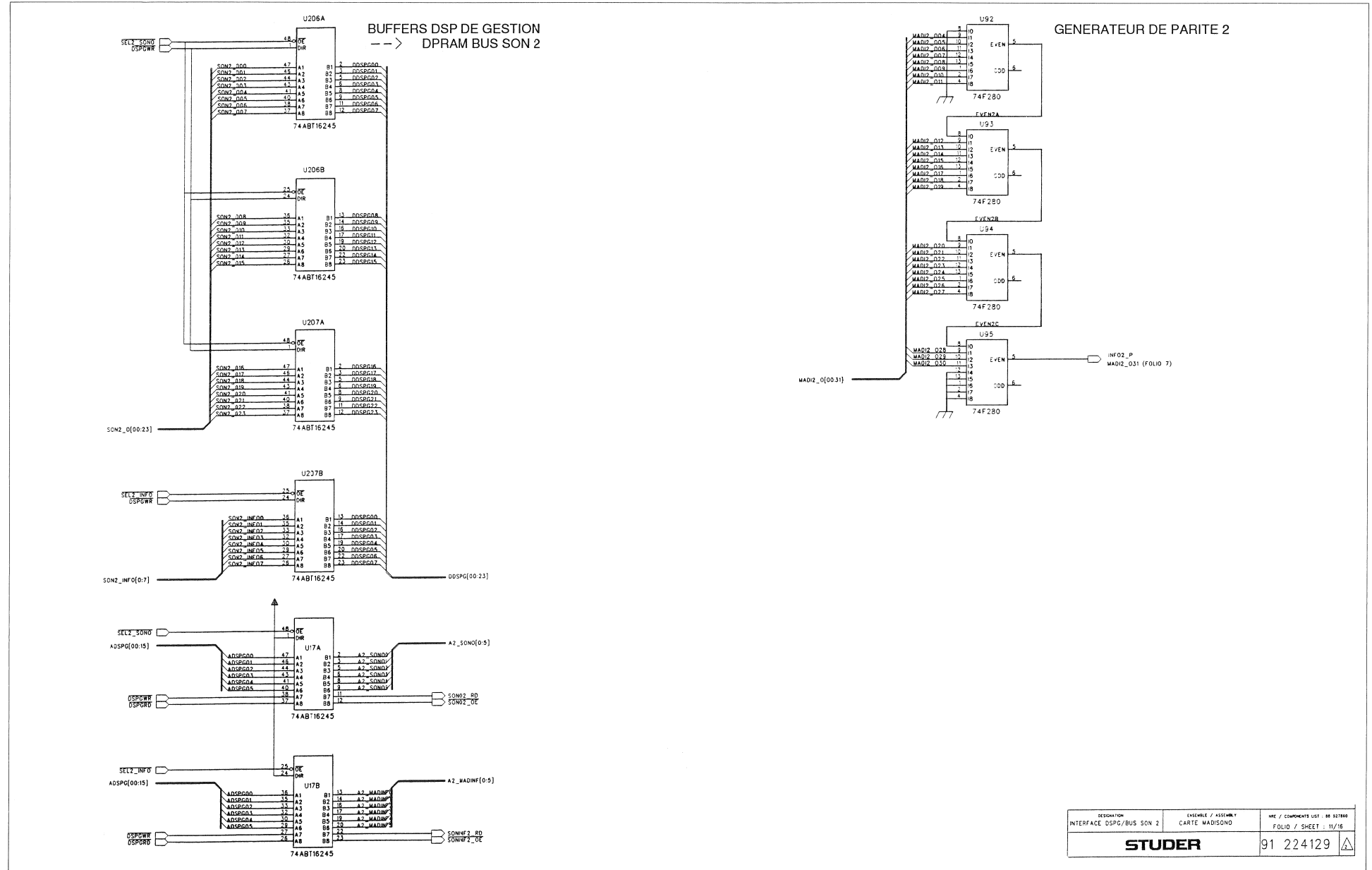


Optical Madisono 2 Madi Output Board 42.125.304.01
Coax Madisono 2 Madi Output Board 42.125.304.11



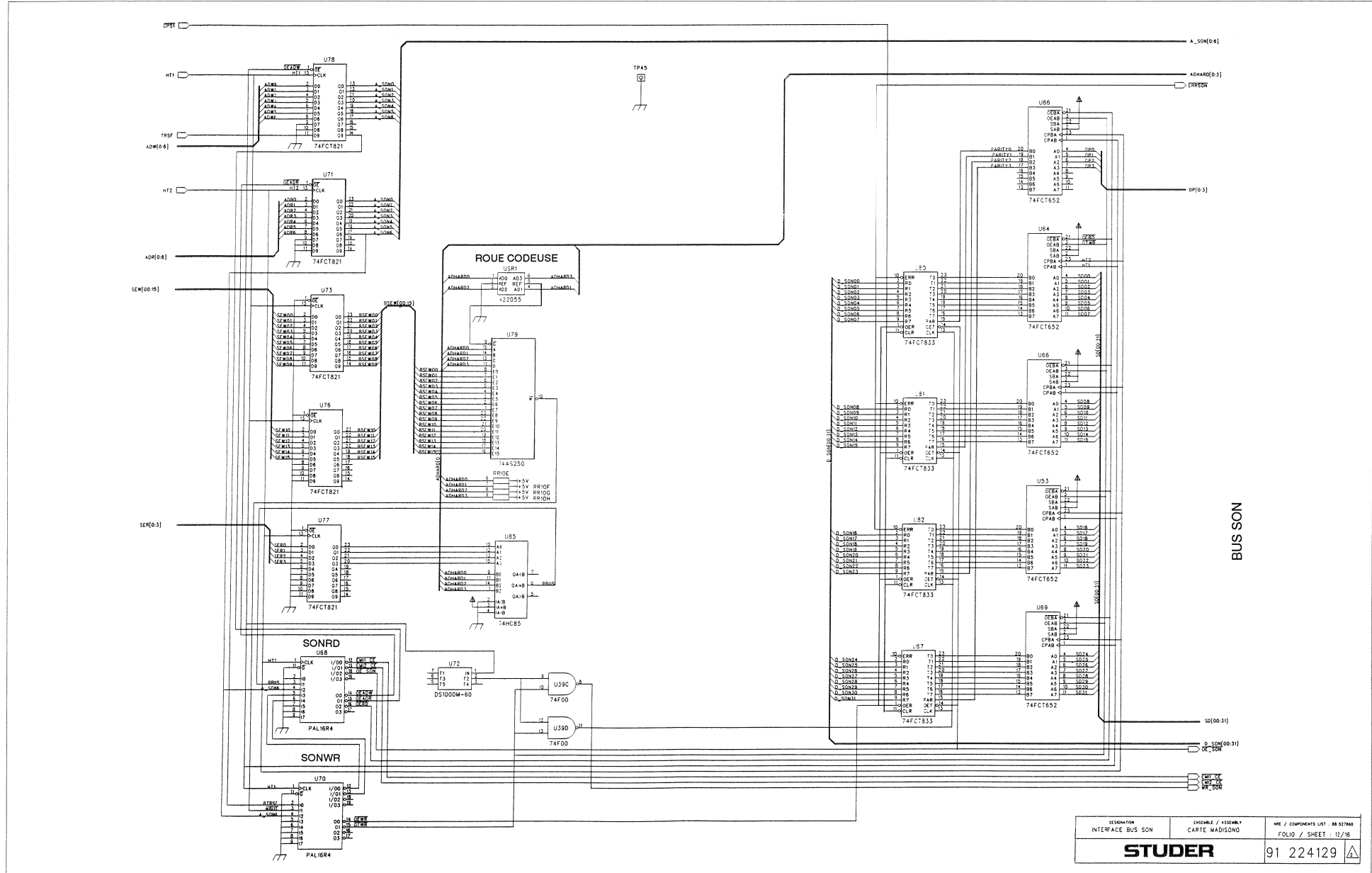
NLXK1	DESIGNATION	ENSEMBLE / ASSEMBLY	NRE / COMPONENTS LIST
	MULTIPLIEUR/LIMITEUR	CARTE MADISONO	FOLIO / SHEET : 6/16
STUDER			91 224129

Optical Madisono 2 Madi Output Board 42.125.304.01
 Coax Madisono 2 Madi Output Board 42.125.304.11



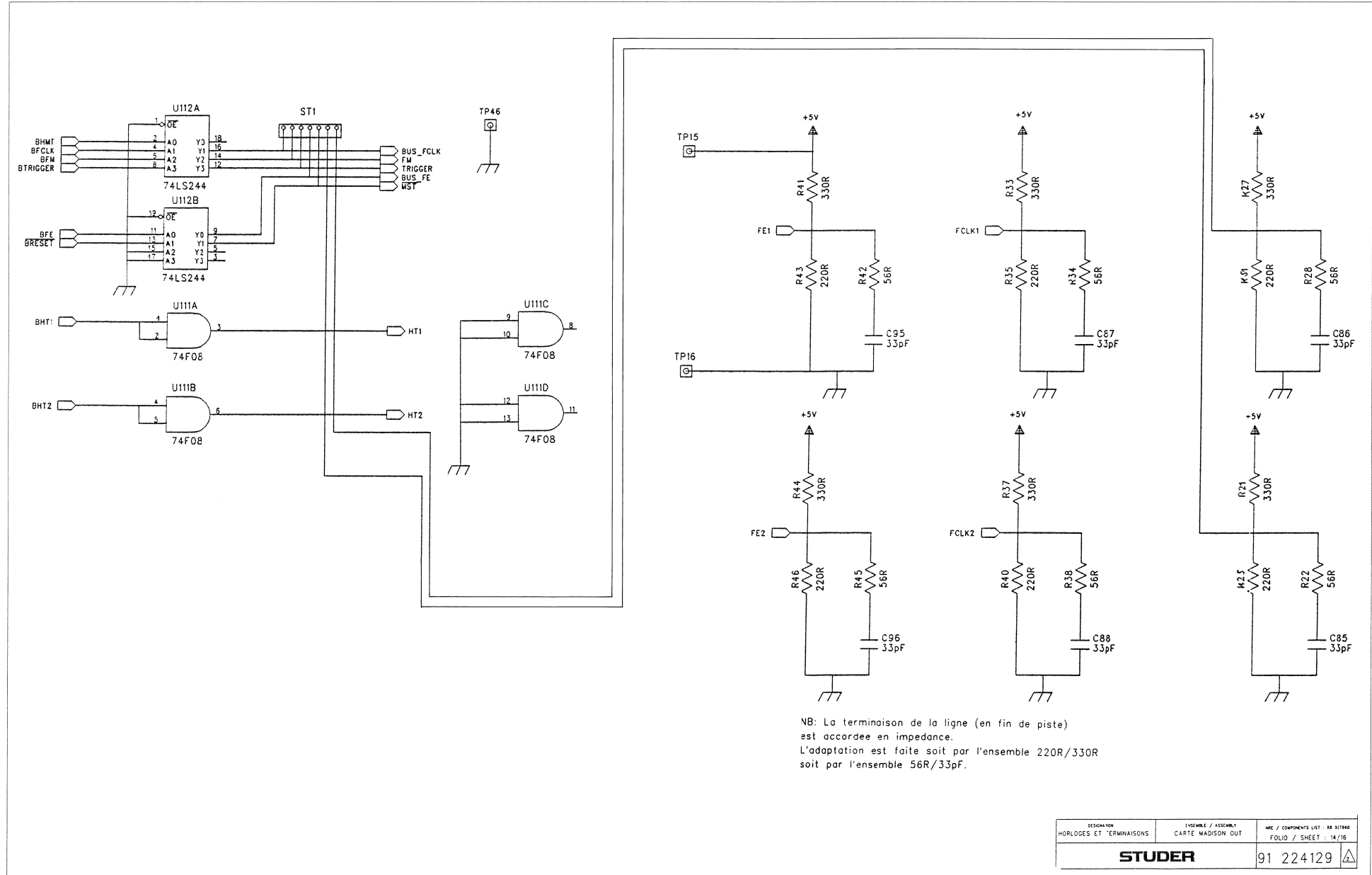


Optical Madison 2 Madi Output Board 42.125.304.01
Coax Madison 2 Madi Output Board 42.125.304.11



DESIGNATION INTERFACE BUS SON	CHÉMINÉ / ASSEMBLY CARTE MADISON	N°E / COMPONENTS LIST : 88 321660 FOLIO / SHEET : 12/16
STUDER		91 224129

Optical Madisono 2 Madi Output Board 42.125.304.01
 Coax Madisono 2 Madi Output Board 42.125.304.11



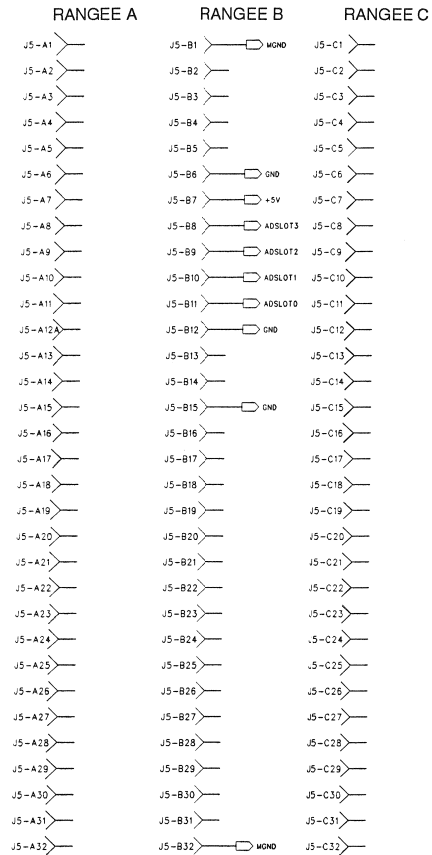
NB: La terminaison de la ligne (en fin de piste) est accordée en impédance.
 L'adaptation est faite soit par l'ensemble 220R/330R soit par l'ensemble 56R/33pF.

DESIGNATION HORLOGES ET TERMINAISONS	ENSEMBLE / ASSEMBLY CARTE MADISONO OUT	N°E / COMPONENTS LIST : 48 01780 FOLIO / SHEET : 14/16
STUDER		91 224129

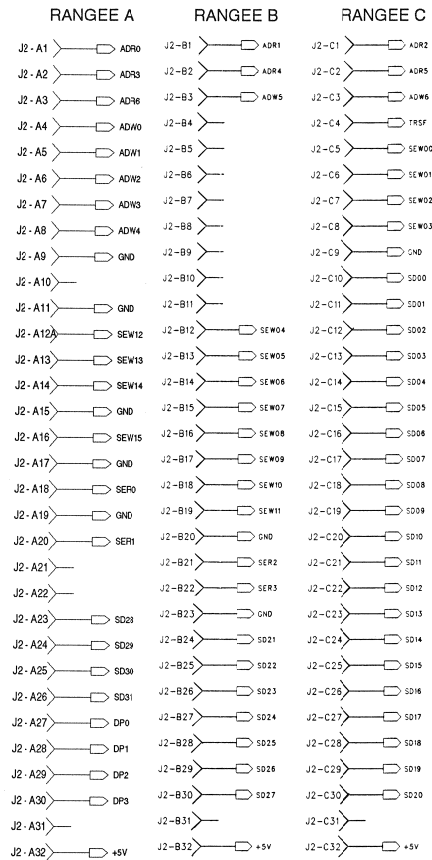
Optical Madisono 2 Madi Output Board 42.125.304.01
 Coax Madisono 2 Madi Output Board 42.125.304.11



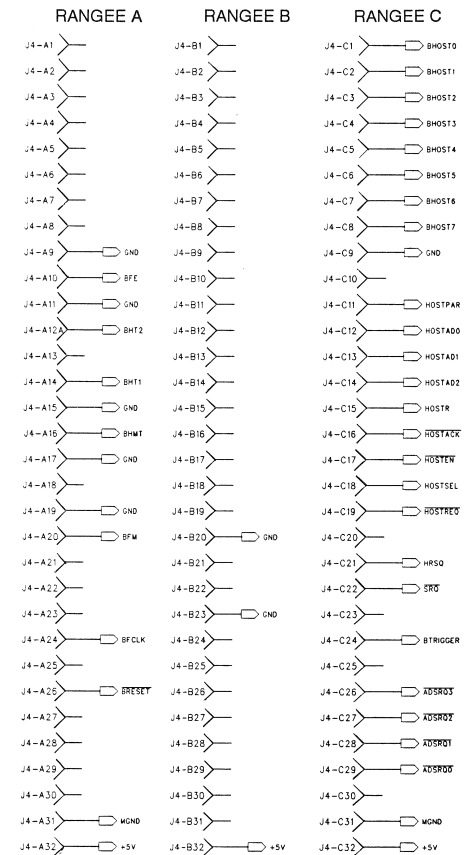
CONNECTEUR SUPERIEUR



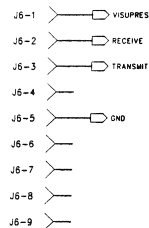
CONNECTEUR MILIEU



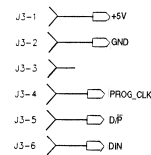
CONNECTEUR INFERIEUR



CONNECTEUR DEBUG



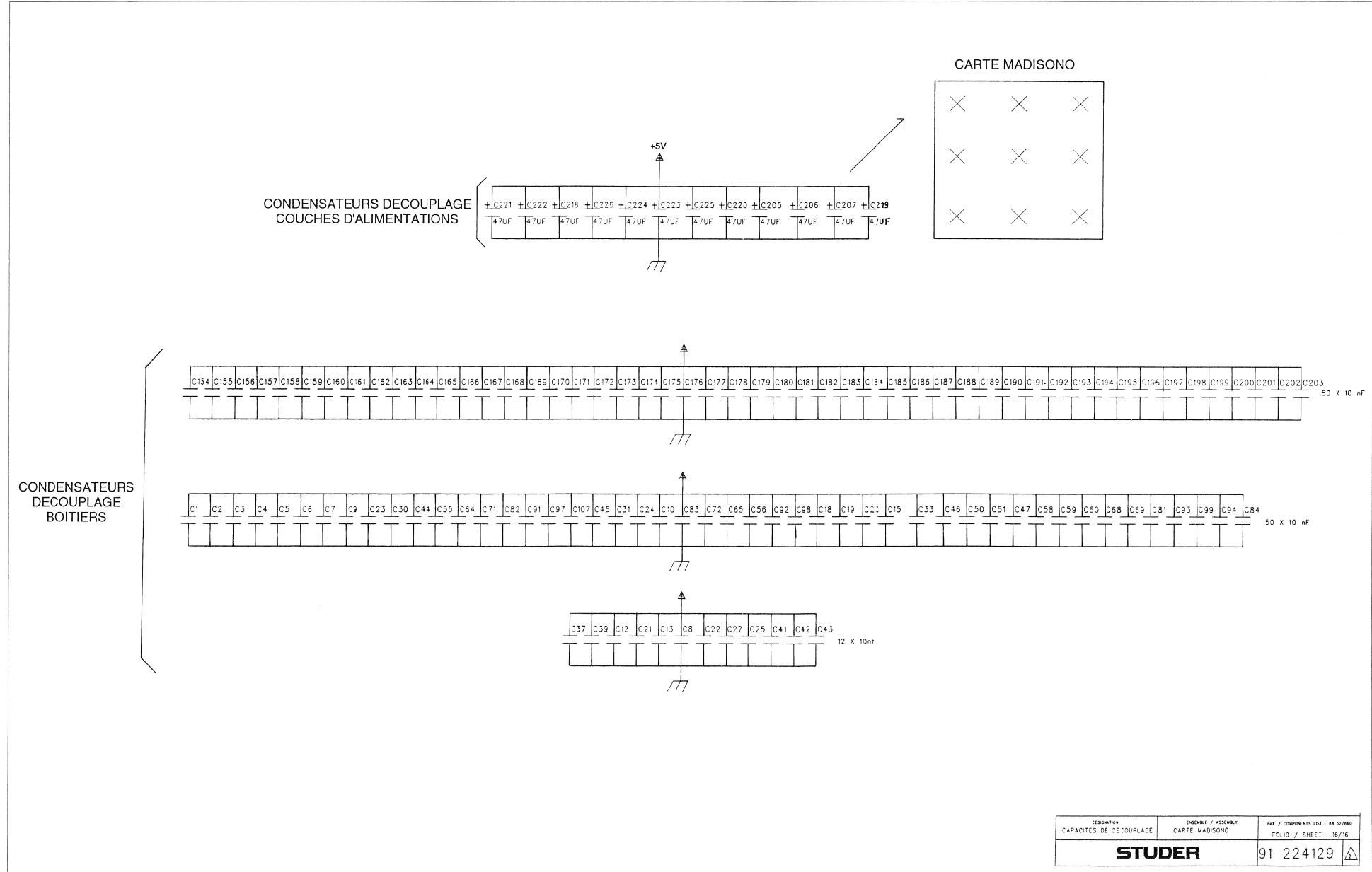
CONNECTEUR PROG XILINX



DESIGNATION CONNECTEURS	ENSEMBLE / ASSEMBLY CARTE MADISONO	N°E / COMPONENTS LIST : 88 02780 FOLIO / SHEET : 15/16
STUDER		91 224129

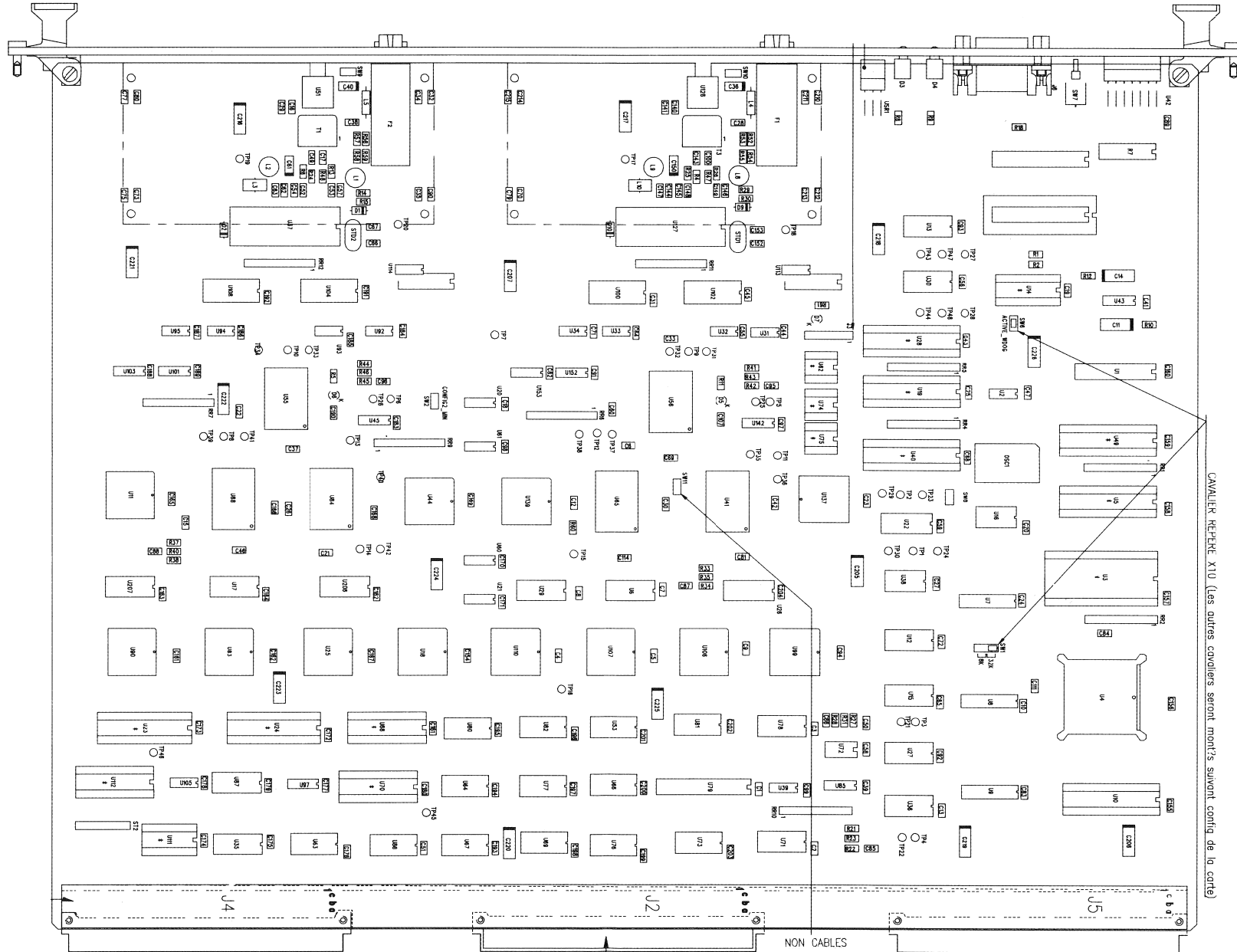
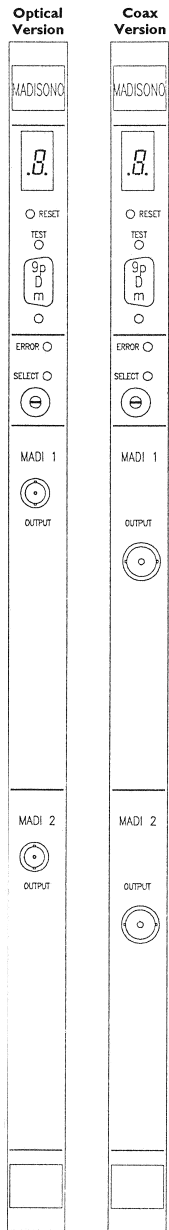


Optical Madisono 2 Madi Output Board 42.125.304.01
Coax Madisono 2 Madi Output Board 42.125.304.11



DESCRIPTION CAPACITES DE DECOUPLAGE	ENSEMBLE / ASSEMBLY CARTE MADISONO	N° / COMPONENTS LIST: 88 32760 FOLIO / SHEET : 16/16
STUDER		91 224129

Optical Madison 2 Madi Output Board 42.125.304.01
Coax Madison 2 Madi Output Board 42.125.304.11



CAVALIER RE-PCHE X10 (les autres cavaliers seront montés suivant config de la carte)

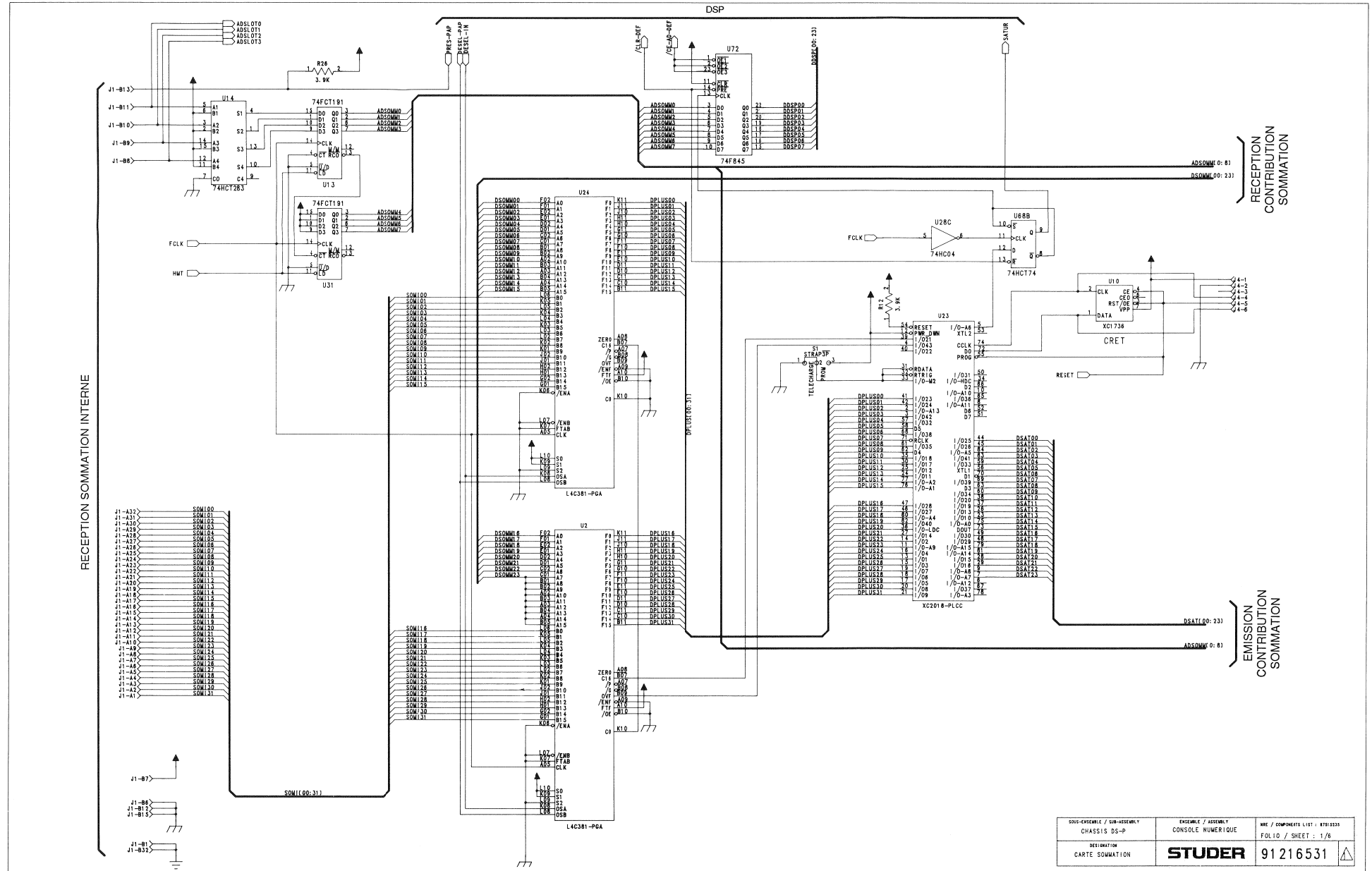
Optical Madisono 2 Madi Output Board 42.125.304.01
Coax Madisono 2 Madi Output Board 42.125.304.11

REPERE	IND	COMPOSANT	DESIGNATION	VALEUR	QTE	FABRIG.	BOITIER	REPERE	IND	COMPOSANT	DESIGNATION	VALEUR	QTE	FABRIG.	BOITIER
C73	1m		CONDENSATEUR	2C1 1nF 20%	1		1206	C202	1m		CONDENSATEUR	2C1 10 nF 20%	1		1206
C75	1m		CONDENSATEUR	2C1 47nF 20%	1		1206	C203	1m		CONDENSATEUR	2C1 10 nF 20%	1		1206
C77	1m		CONDENSATEUR	2C1 1nF 20%	1		1206	C204	1m		CONDENSATEUR	2C1 10 nF 20%	1		1206
C79	1m		CONDENSATEUR	2C1 47nF 20%	1		1206	C205	1m		CONDENSATEUR	2930 47µF 10V	1		CASE D
C80	1m		CONDENSATEUR	2C1 1nF 20%	1		1206	C206	1m		CONDENSATEUR	2930 47µF 10V	1		CASE D
C81	1m		CONDENSATEUR	2C1 10 nF 20%	1		1206	C207	1m		CONDENSATEUR	2930 47µF 10V	1		CASE D
C82	1m		CONDENSATEUR	2C1 10 nF 20%	1		1206	C210	1m		CONDENSATEUR	2C1 47nF 20%	1		1206
C83	1m		CONDENSATEUR	2C1 10 nF 20%	1		1206	C211	1m		CONDENSATEUR	2C1 1nF 20%	1		1206
C84	1m		CONDENSATEUR	2C1 10 nF 20%	1		1206	C212	1m		CONDENSATEUR	2C1 47nF 20%	1		1206
C85	1m		CONDENSATEUR	2C1 33pF 20%	1		1206	C213	1m		CONDENSATEUR	2C1 1nF 20%	1		1206
C86	1m		CONDENSATEUR	2C1 33pF 20%	1		1206	C214	1m		CONDENSATEUR	2C1 47nF 20%	1		1206
C87	1m		CONDENSATEUR	2C1 33pF 20%	1		1206	C215	1m		CONDENSATEUR	2C1 1nF 20%	1		1206
C88	1m		CONDENSATEUR	2C1 33pF 20%	1		1206	C216	1a		CONDENSATEUR	2930 47µF 10V	1		CASE D
C89	1m		CONDENSATEUR	2C1 10 nF 20%	1		1206	C217	1a		CONDENSATEUR	2930 47µF 10V	1		CASE D
C90	1m		CONDENSATEUR	2C1 47nF 20%	1		1206	C218	1a		CONDENSATEUR	2930 47µF 10V	1		CASE D
C91	1m		CONDENSATEUR	2C1 10 nF 20%	1		1206	C219	1a		CONDENSATEUR	2930 47µF 10V	1		CASE D
C92	1m		CONDENSATEUR	2C1 10 nF 20%	1		1206	C220	1a		CONDENSATEUR	2930 47µF 10V	1		CASE D
C93	1m		CONDENSATEUR	2C1 10 nF 20%	1		1206	C221	1a		CONDENSATEUR	2930 47µF 10V	1		CASE D
C94	1m		CONDENSATEUR	2C1 10 nF 20%	1		1206								
C95	1m		CONDENSATEUR	2C1 33pF 20%	1		1206								
C96	1m		CONDENSATEUR	2C1 33pF 20%	1		1206								
C97	1m		CONDENSATEUR	2C1 10 nF 20%	1		1206								
C98	1m		CONDENSATEUR	2C1 10 nF 20%	1		1206								
C99	1m		CONDENSATEUR	2C1 10 nF 20%	1		1206								
C100			CONDENSATEUR	2C1 100nF 20%	1		1206								
C107	1m		CONDENSATEUR	2C1 10 nF 20%	1		1206								
C111	1m		CONDENSATEUR	2C1 10 nF 20%	1		1206								
C114	1m		CONDENSATEUR	2C1 10 nF 20%	1		1206								
C140	1m		CONDENSATEUR	2C1 47nF 20%	1		1206								
C141	1m		CONDENSATEUR	2C1 1nF 20%	1		1206								
C143			CONDENSATEUR	2C1 100nF 20%	1		1206								
C144			CONDENSATEUR	2C1 100nF 20%	1		1206								
C145			CONDENSATEUR	2C1 100nF 20%	1		1206								
C146			CONDENSATEUR	2C1 100nF 20%	1		1206								
C147			CONDENSATEUR	2C1 1nF 20%	1		1206								
C148			CONDENSATEUR	2C1 1nF 20%	1		1206								
C149			CONDENSATEUR	2C1 1nF 20%	1		1206								
C150	4m		CONDENSATEUR	5950 10µF 16V	1		CASE B								
C152	1m		CONDENSATEUR	NPO 39PF 5%	1		1206								
C153	1m		CONDENSATEUR	NPO 39PF 5%	1		1206								
C154	1m		CONDENSATEUR	2C1 10 nF 20%	1		1206								
C155	1m		CONDENSATEUR	2C1 10 nF 20%	1		1206								
C156	1m		CONDENSATEUR	2C1 10 nF 20%	1		1206								
C157	1m		CONDENSATEUR	2C1 10 nF 20%	1		1206								
C158	1m		CONDENSATEUR	2C1 10 nF 20%	1		1206								
C159	1m		CONDENSATEUR	2C1 10 nF 20%	1		1206								
C160	1m		CONDENSATEUR	2C1 10 nF 20%	1		1206								
C161	1m		CONDENSATEUR	2C1 10 nF 20%	1		1206								
C162	1m		CONDENSATEUR	2C1 10 nF 20%	1		1206								
C163	1m		CONDENSATEUR	2C1 10 nF 20%	1		1206								
C164	1m		CONDENSATEUR	2C1 10 nF 20%	1		1206								
C165	1m		CONDENSATEUR	2C1 10 nF 20%	1		1206								
C166	1m		CONDENSATEUR	2C1 10 nF 20%	1		1206								
C167	1m		CONDENSATEUR	2C1 10 nF 20%	1		1206								
C168	1m		CONDENSATEUR	2C1 10 nF 20%	1		1206								
C169	1m		CONDENSATEUR	2C1 10 nF 20%	1		1206								
C170	1m		CONDENSATEUR	2C1 10 nF 20%	1		1206								
C171	1m		CONDENSATEUR	2C1 10 nF 20%	1		1206								
C172	1m		CONDENSATEUR	2C1 10 nF 20%	1		1206								
C173	1m		CONDENSATEUR	2C1 10 nF 20%	1		1206								
C174	1m		CONDENSATEUR	2C1 10 nF 20%	1		1206								
C175	1m		CONDENSATEUR	2C1 10 nF 20%	1		1206								
C176	1m		CONDENSATEUR	2C1 10 nF 20%	1		1206								
C177	1m		CONDENSATEUR	2C1 10 nF 20%	1		1206								
C178	1m		CONDENSATEUR	2C1 10 nF 20%	1		1206								
C179	1m		CONDENSATEUR	2C1 10 nF 20%	1		1206								
C180	1m		CONDENSATEUR	2C1 10 nF 20%	1		1206								
C181	1m		CONDENSATEUR	2C1 10 nF 20%	1		1206								
C182	1m		CONDENSATEUR	2C1 10 nF 20%	1		1206								
C183	1m		CONDENSATEUR	2C1 10 nF 20%	1		1206								
C184	1m		CONDENSATEUR	2C1 10 nF 20%	1		1206								
C185	1m		CONDENSATEUR	2C1 10 nF 20%	1		1206								
C186	1m		CONDENSATEUR	2C1 10 nF 20%	1		1206								
C187	1m		CONDENSATEUR	2C1 10 nF 20%	1		1206								
C188	1m		CONDENSATEUR	2C1 10 nF 20%	1		1206								
C189	1m		CONDENSATEUR	2C1 10 nF 20%	1		1206								
C190	1m		CONDENSATEUR	2C1 10 nF 20%	1		1206								
C191	1m		CONDENSATEUR	2C1 10 nF 20%	1		1206								
C192	1m		CONDENSATEUR	2C1 10 nF 20%	1		1206								
C193	1m		CONDENSATEUR	2C1 10 nF 20%	1		1206								
C194	1m		CONDENSATEUR	2C1 10 nF 20%	1		1206								
C195	1m		CONDENSATEUR	2C1 10 nF 20%	1		1206								
C196	1m		CONDENSATEUR	2C1 10 nF 20%	1		1206								
C197	1m		CONDENSATEUR	2C1 10 nF 20%	1		1206								
C198	1m		CONDENSATEUR	2C1 10 nF 20%	1		1206								
C199	1m		CONDENSATEUR	2C1 10 nF 20%	1		1206								
C200	1m		CONDENSATEUR	2C1 10 nF 20%	1		1206								
C201	1m		CONDENSATEUR	2C1 10 nF 20%	1		1206								

SCHEMATA / CIRCUIT DIAGRAMS

Sommaton Summing Board 42.355.152.35

Sommatum Summing Board 42.355.152.35



RECEPTION SOMMATION INTERNE

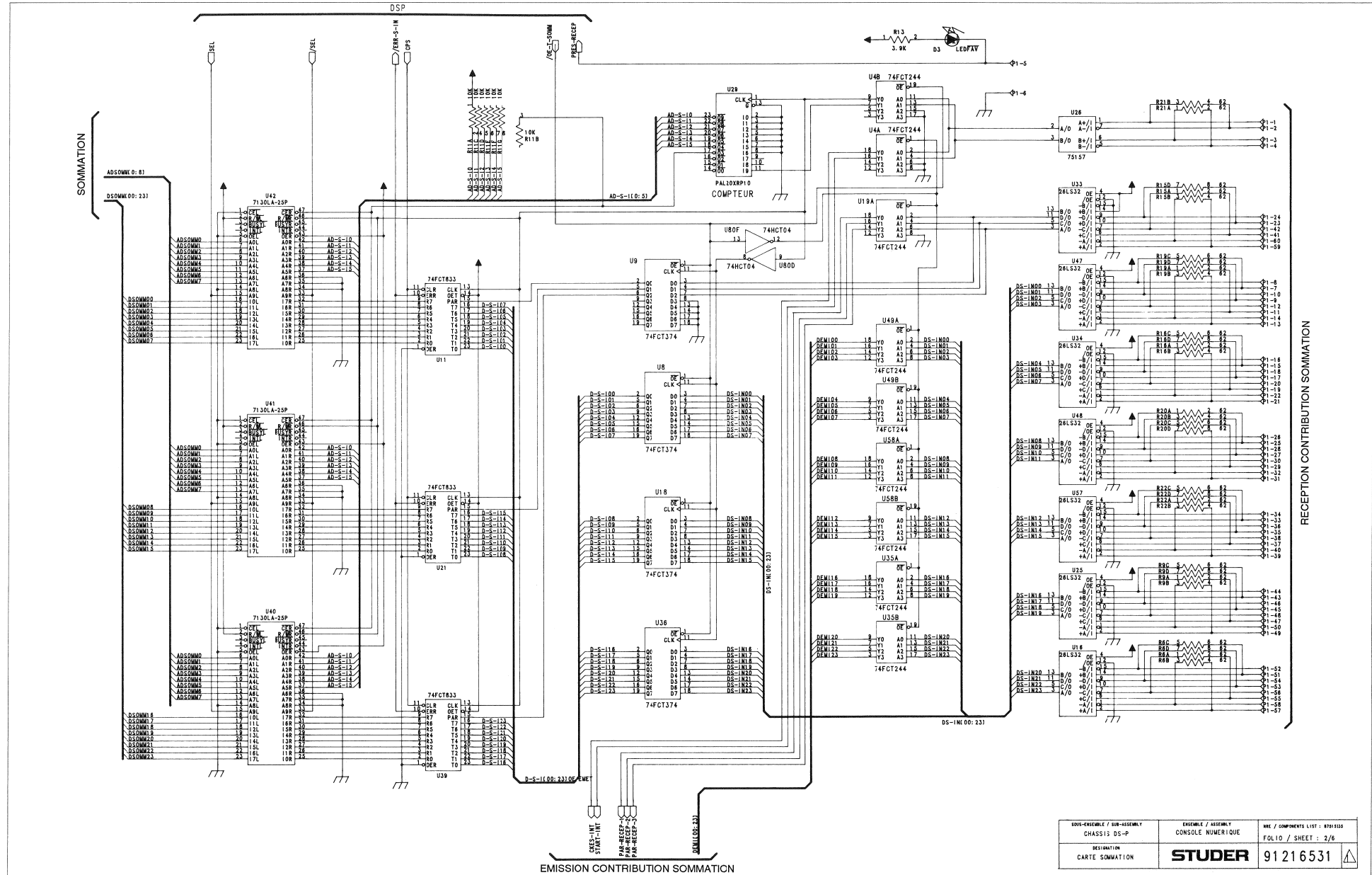
RECEPTION CONTRIBUTION SOMMATION

EMISSION CONTRIBUTION SOMMATION

SUB-ENSEMBLE / SUB-ASSEMBLY CHASSIS DS-P	ENSEMBLE / ASSEMBLY CONSOLE NUMERIQUE	N°C / COMPONENTS LIST : 8701823A
DESTINATION CARTE SOMMATION	STUDER	FOLIO / SHEET : 1/6
		91 216 531

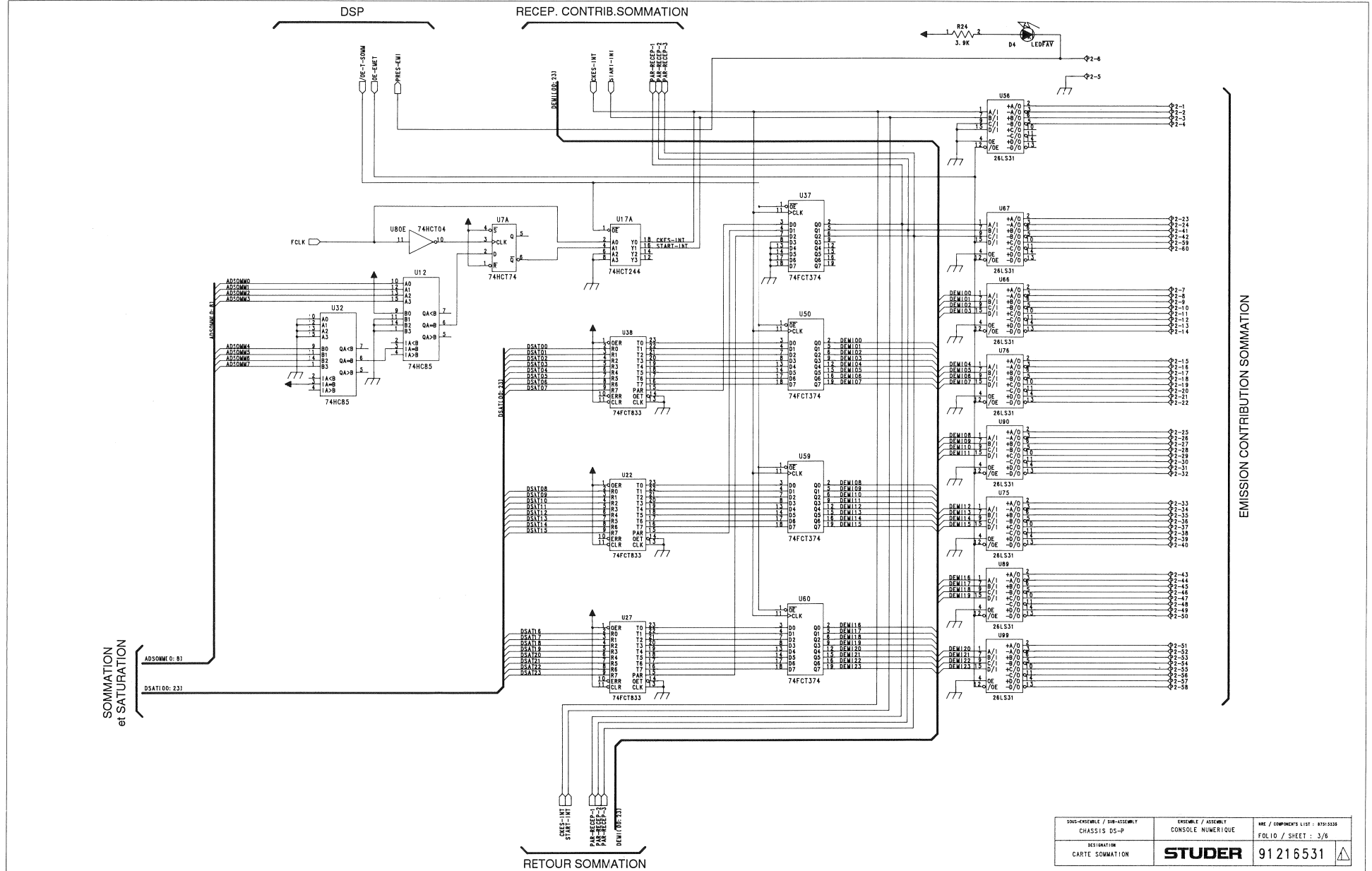


Sommatum Summing Board 42.355.152.35



BOIS-ENSEMBLE / SUB-ASSEMBLY	ENSEMBLE / ASSEMBLY	REC / COMPONENTS LIST : 8201035
CHASSIS DS-P	CONSOLE NUMERIQUE	FOLIO / SHEET : 2/6
DESIGNATION	STUDER	91 21 6531
CARTE SOMMATION		

Sommatum Summing Board 42.355.152.35

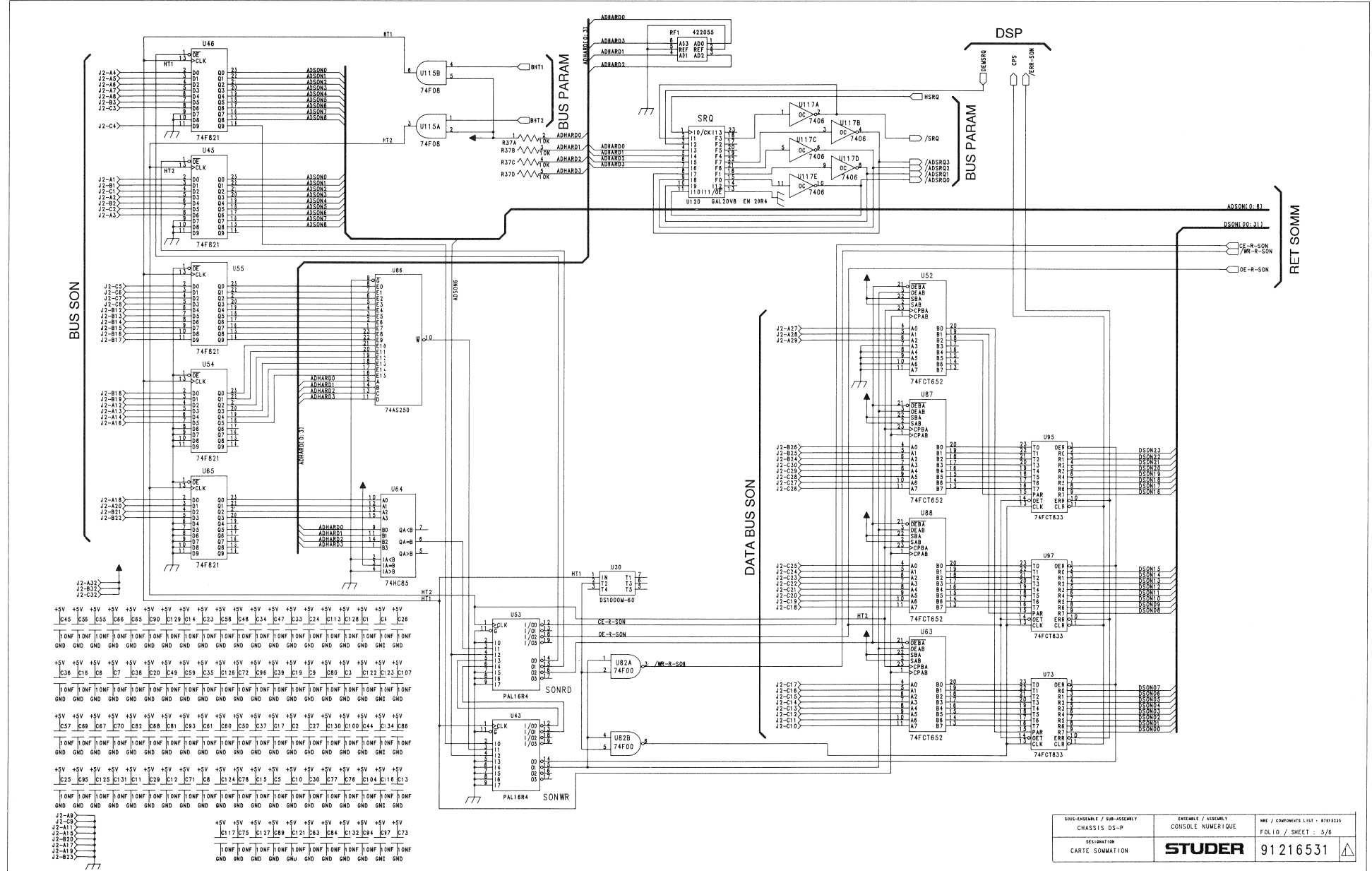


EMISSION CONTRIBUTION SUMMATION

SOUS-ENSEMBLE / SUB-ASSEMBLY CHASSIS DS-P	ENSEMBLE / ASSEMBLY CONSOLE NUMERIQUE	NUM / COMPONENTS LIST : 87015333 FOLIO / SHEET : 3/6
DESIGNATION CARTE SOMMATION		STUDER 91216531



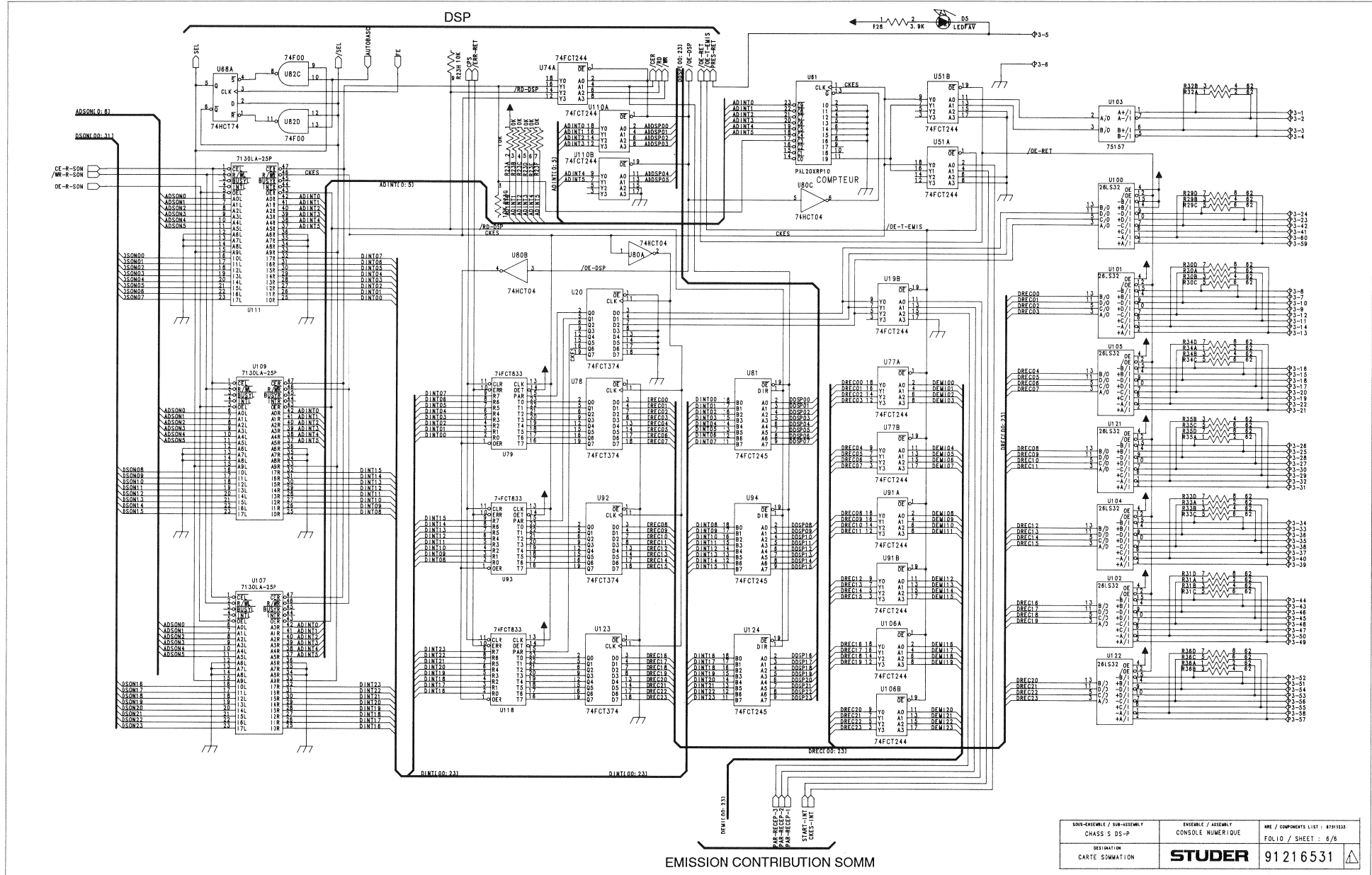
Sommatum Summing Board 42.355.152.35



SOUS-ENSEMBLE / SUB-ASSEMBLY CHASSIS DS-P	ENTRÉE / ASSEMBLY CONSOLE NUMÉRIQUE	N° / COMPONENTS LIST : 87030335 FOLIO / SHEET : 5/6
DÉSIGNATION CARTE SOMMATION	STUDER	91216531

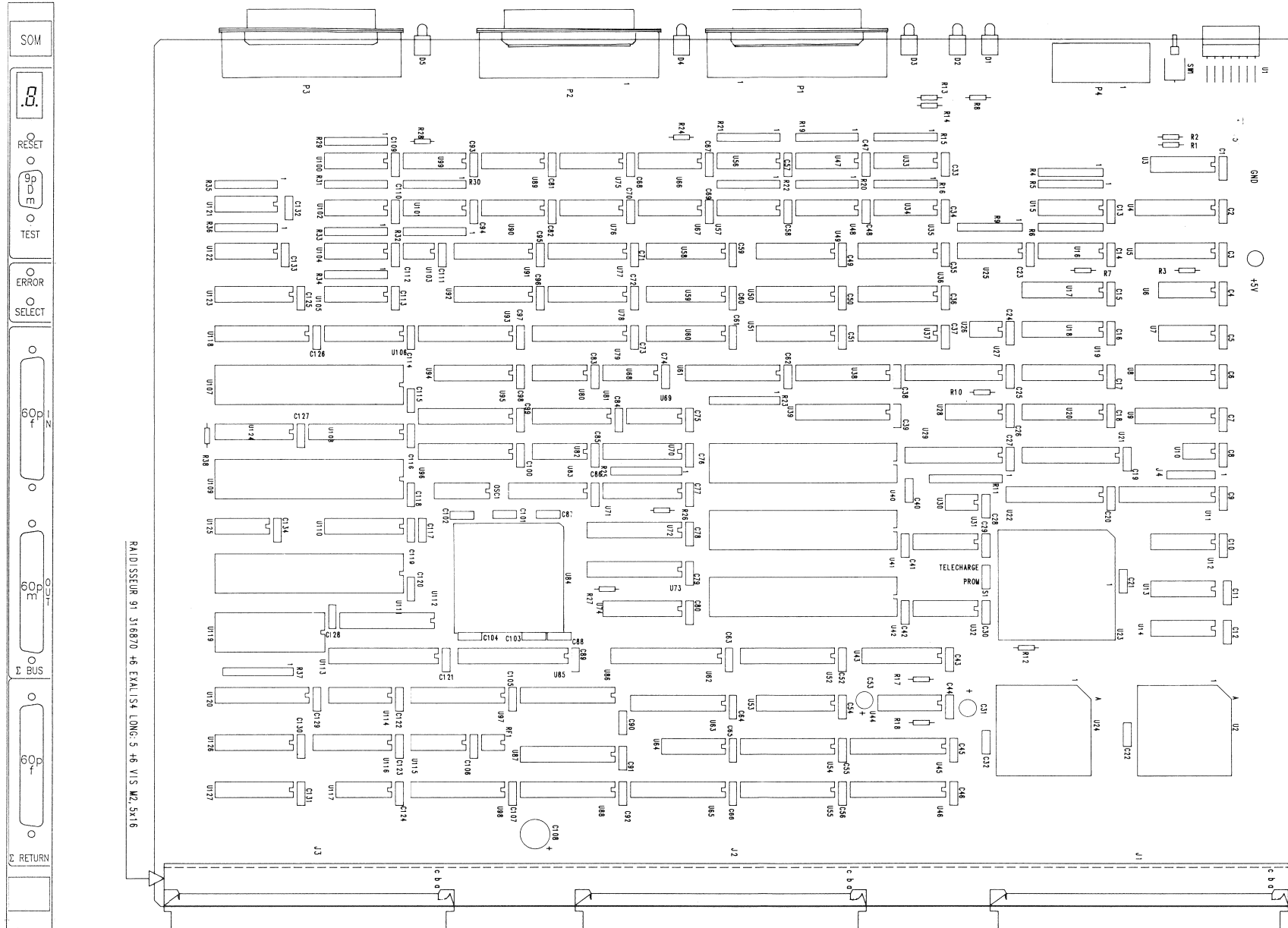


Sommatum Summing Board 42.355.152.35



SOUS-ENSEMBLE / SUB-ASSEMBLY CHASSIS DS-P	ENSEMBLE / ASSEMBLY CONSOLE NUMERIQUE	N° / COMPONENTS LIST : 4701533
DESIGNATION CARTE SOMMATION	STUDER	FOLIO / SHEET : 6/6 91216531

Sommatum Summing Board 42.355.152.35





Sommatum Summing Board 42.355.152.35

REPERE	IND	COMPONENT	DESIGNATION	QTE	FABRIQUE	REPERE	IND	COMPONENT	DESIGNATION	QTE	FABRIQUE	REPERE	IND	COMPONENT	DESIGNATION	QTE	FABRIQUE	REPERE	IND	COMPONENT	DESIGNATION	QTE	FABRIQUE
A1		91216531	SCHEMA	1		C54		95555036	10nf-100V	1		U21		95340009	74FCT833A-P	1		U21		95340009	74FCT833A-P	1	
A2		91216545	MYLAR DU CIRCUIT	1		C55		95555036	10nf-100V	1		U22		95340009	74FCT833A-P	1		U22		95340009	74FCT833A-P	1	
A3		91216545	TEST DE CONFORMITE	1		C56		95555036	10nf-100V	1		U23		95340009	74FCT833A-P	1		U23		95340009	74FCT833A-P	1	
A4		91216546	MYLAR DE SERIGRAPHIE	1		C57		95555036	10nf-100V	1		U24		95340009	74FCT833A-P	1		U24		95340009	74FCT833A-P	1	
A5		91216546	MYLAR DE SERIGRAPHIE	1		C58		95555036	10nf-100V	1		U25		95340009	74FCT833A-P	1		U25		95340009	74FCT833A-P	1	
A6		91216547	MYLAR EPARGNE SOUDURE	1		C59		95555036	10nf-100V	1		U26		95340009	74FCT833A-P	1		U26		95340009	74FCT833A-P	1	
A7		91114215	PLAN DE FABRICATION	1		C60		95555036	10nf-100V	1		U27		95340009	74FCT833A-P	1		U27		95340009	74FCT833A-P	1	
A8		91114215	PLAN DE FABRICATION	1		C61		95555036	10nf-100V	1		U28		95340009	74FCT833A-P	1		U28		95340009	74FCT833A-P	1	
A9		91114274	PLAN DE MONTAGE	1		C62		95555036	10nf-100V	1		U29		95340009	74FCT833A-P	1		U29		95340009	74FCT833A-P	1	
A10		91122143	MODIF CABLAGE	1		C63		95555036	10nf-100V	1		U30		95340009	74FCT833A-P	1		U30		95340009	74FCT833A-P	1	
A11		91114189	FACE AVANT	1		C64		95555036	10nf-100V	1		U31		95340009	74FCT833A-P	1		U31		95340009	74FCT833A-P	1	
A12		91114189	OUTILLAGE	1		C65		95555036	10nf-100V	1		U32		95340009	74FCT833A-P	1		U32		95340009	74FCT833A-P	1	
A13		91216522	MYLAR DE SERIGRAPHIE FACE AVANT	1		C66		95555036	10nf-100V	1		U33		95340009	74FCT833A-P	1		U33		95340009	74FCT833A-P	1	
A14		91216522	OUTILLAGE	1		C67		95555036	10nf-100V	1		U34		95340009	74FCT833A-P	1		U34		95340009	74FCT833A-P	1	
A15		91216528	PLAN DE SERIGRAPHIE FACE AVANT	1		C68		95555036	10nf-100V	1		U35		95340009	74FCT833A-P	1		U35		95340009	74FCT833A-P	1	
A16		98230043	POIGNEE-EXTRACTEUR HAUTE SEEM 131177	0.1		C69		95555036	10nf-100V	1		U36		95340009	74FCT833A-P	1		U36		95340009	74FCT833A-P	1	
A17		98230044	POIGNEE-EXTRACTEUR BASSE SEEM 131178	0.1		C70		95555036	10nf-100V	1		U37		95340009	74FCT833A-P	1		U37		95340009	74FCT833A-P	1	
A18		97612203	VIS V106 F/90 M2,5x6	2		C71		95555036	10nf-100V	1		U38		95340009	74FCT833A-P	1		U38		95340009	74FCT833A-P	1	
A19		97612202	VIS V126 M2,5x5	2		C72		95555036	10nf-100V	1		U39		95340009	74FCT833A-P	1		U39		95340009	74FCT833A-P	1	
A20		97612205	VIS V126 M2,5x8	2		C73		95555036	10nf-100V	1		U40		95340009	74FCT833A-P	1		U40		95340009	74FCT833A-P	1	
A21		97715007	RONDELLE V151 MU 2,5	2		C74		95555036	10nf-100V	1		U41		95340009	74FCT833A-P	1		U41		95340009	74FCT833A-P	1	
A22		91815561	MYLAR ETIQUETTE POIGNEE REPERE D3	1		C75		95555036	10nf-100V	1		U42		95340009	74FCT833A-P	1		U42		95340009	74FCT833A-P	1	
A23		91815561	OUTILLAGE	1		C76		95555036	10nf-100V	1		U43		95340009	74FCT833A-P	1		U43		95340009	74FCT833A-P	1	
A24		91815593	SERIGRAPHIE ETIQUETTE POIGNEE	1		C77		95555036	10nf-100V	1		U44		95340009	74FCT833A-P	1		U44		95340009	74FCT833A-P	1	
A25		98230045	DEUILLET+VIS SEEM 492959	1	C.02	C78		95555036	10nf-100V	1		U45		95340009	74FCT833A-P	1		U45		95340009	74FCT833A-P	1	
A26		91815505	ETIQUETTE DE REPERE	1		C79		95555036	10nf-100V	1		U46		95340009	74FCT833A-P	1		U46		95340009	74FCT833A-P	1	
C1		95555036	10nf-100V	1		C80		95555036	10nf-100V	1		U47		95340009	74FCT833A-P	1		U47		95340009	74FCT833A-P	1	
C2		95555036	10nf-100V	1		C81		95555036	10nf-100V	1		U48		95340009	74FCT833A-P	1		U48		95340009	74FCT833A-P	1	
C3		95555036	10nf-100V	1		C82		95555036	10nf-100V	1		U49		95340009	74FCT833A-P	1		U49		95340009	74FCT833A-P	1	
C4		95555036	10nf-100V	1		C83		95555036	10nf-100V	1		U50		95340009	74FCT833A-P	1		U50		95340009	74FCT833A-P	1	
C5		95555036	10nf-100V	1		C84		95555036	10nf-100V	1		U51		95340009	74FCT833A-P	1		U51		95340009	74FCT833A-P	1	
C6		95555036	10nf-100V	1		C85		95555036	10nf-100V	1		U52		95340009	74FCT833A-P	1		U52		95340009	74FCT833A-P	1	
C7		95555036	10nf-100V	1		C86		95555036	10nf-100V	1		U53		95340009	74FCT833A-P	1		U53		95340009	74FCT833A-P	1	
C8		95555036	10nf-100V	1		C87		95555036	10nf-100V	1		U54		95340009	74FCT833A-P	1		U54		95340009	74FCT833A-P	1	
C9		95555036	10nf-100V	1		C88		95555036	10nf-100V	1		U55		95340009	74FCT833A-P	1		U55		95340009	74FCT833A-P	1	
C10		95555036	10nf-100V	1		C89		95555036	10nf-100V	1		U56		95340009	74FCT833A-P	1		U56		95340009	74FCT833A-P	1	
C11		95555036	10nf-100V	1		C90		95555036	10nf-100V	1		U57		95340009	74FCT833A-P	1		U57		95340009	74FCT833A-P	1	
C12		95555036	10nf-100V	1		C91		95555036	10nf-100V	1		U58		95340009	74FCT833A-P	1		U58		95340009	74FCT833A-P	1	
C13		95555036	10nf-100V	1		C92		95555036	10nf-100V	1		U59		95340009	74FCT833A-P	1		U59		95340009	74FCT833A-P	1	
C14		95555036	10nf-100V	1		C93		95555036	10nf-100V	1		U60		95340009	74FCT833A-P	1		U60		95340009	74FCT833A-P	1	
C15		95555036	10nf-100V	1		C94		95555036	10nf-100V	1		U61		95340009	74FCT833A-P	1		U61		95340009	74FCT833A-P	1	
C16		95555036	10nf-100V	1		C95		95555036	10nf-100V	1		U62		95340009	74FCT833A-P	1		U62		95340009	74FCT833A-P	1	
C17		95555036	10nf-100V	1		C96		95555036	10nf-100V	1		U63		95340009	74FCT833A-P	1		U63		95340009	74FCT833A-P	1	
C18		95555036	10nf-100V	1		C97		95555036	10nf-100V	1		U64		95340009	74FCT833A-P	1		U64		95340009	74FCT833A-P	1	
C19		95555036	10nf-100V	1		C98		95555036	10nf-100V	1		U65		95340009	74FCT833A-P	1		U65		95340009	74FCT833A-P	1	
C20		95555036	10nf-100V	1		C99		95555036	10nf-100V	1		U66		95340009	74FCT833A-P	1		U66		95340009	74FCT833A-P	1	
C21		95555036	10nf-100V	1		C100		95555036	10nf-100V	1		U67		95340009	74FCT833A-P	1		U67		95340009	74FCT833A-P	1	
C22		95555036	10nf-100V	1		C101		95555036	10nf-100V	1		U68		95340009	74FCT833A-P	1		U68		95340009	74FCT833A-P	1	
C23		95555036	10nf-100V	1		C102		95555036	10nf-100V	1		U69		95340009	74FCT833A-P	1		U69		95340009	74FCT833A-P	1	
C24		95555036	10nf-100V	1		C103		95555036	10nf-100V	1		U70		95340009	74FCT833A-P	1		U70		95340009	74FCT833A-P	1	
C25		95555036	10nf-100V	1		C104		95555036	10nf-100V	1		U71		95340009	74FCT833A-P	1		U71		95340009	74FCT833A-P	1	
C26		95555036	10nf-100V	1		C105		95555036	10nf-100V	1		U72		95340009	74FCT833A-P	1		U72		95340009	74FCT833A-P	1	
C27		95555036	10nf-100V	1		C106		95555036	10nf-100V	1		U73		95340009	74FCT833A-P	1		U73		95340009	74FCT833A-P	1	
C28		95555036	10nf-100V	1		C107		95555036	10nf-100V	1		U74		95340009	74FCT833A-P	1		U74		95340009	74FCT833A-P	1	
C29		95555036	10nf-100V	1		C108		95555036	10nf-100V	1		U75		95340009	74FCT833A-P	1		U75		95340009	74FCT833A-P	1	
C30		95555036	10nf-100V	1		C109		95555036	10nf-100V	1		U76		95340009	74FCT833A-P	1		U76		95340009	74FCT833A-P	1	
C31		95562408	10nf-50V	1		C110		95555036	10nf-100V	1		U77		95340009	74FCT833A-P	1		U77		95340009	74FCT833A-P	1	
C32		95555073	100nf-100V	1		C111		95555036	10nf-100V	1		U78		95340009	74FCT833A-P	1		U78		95340009	74FCT833A-P	1	
C33		95555036	10nf-100V	1		C112		95555036	10nf-100V	1		U79		95340009	74FCT833A-P	1		U79		95340009	74FCT833A-P	1	
C34		95555036	10nf-100V	1		C113		95555036	10nf-100V	1		U80		95340009	74FCT833A-P	1		U80		95340009	74FCT833A-P	1	
C35		95555036	10nf-100V	1		C114		95555073	100nf-100V	1		U8											



Sommation Summing Board 42.355.152.35

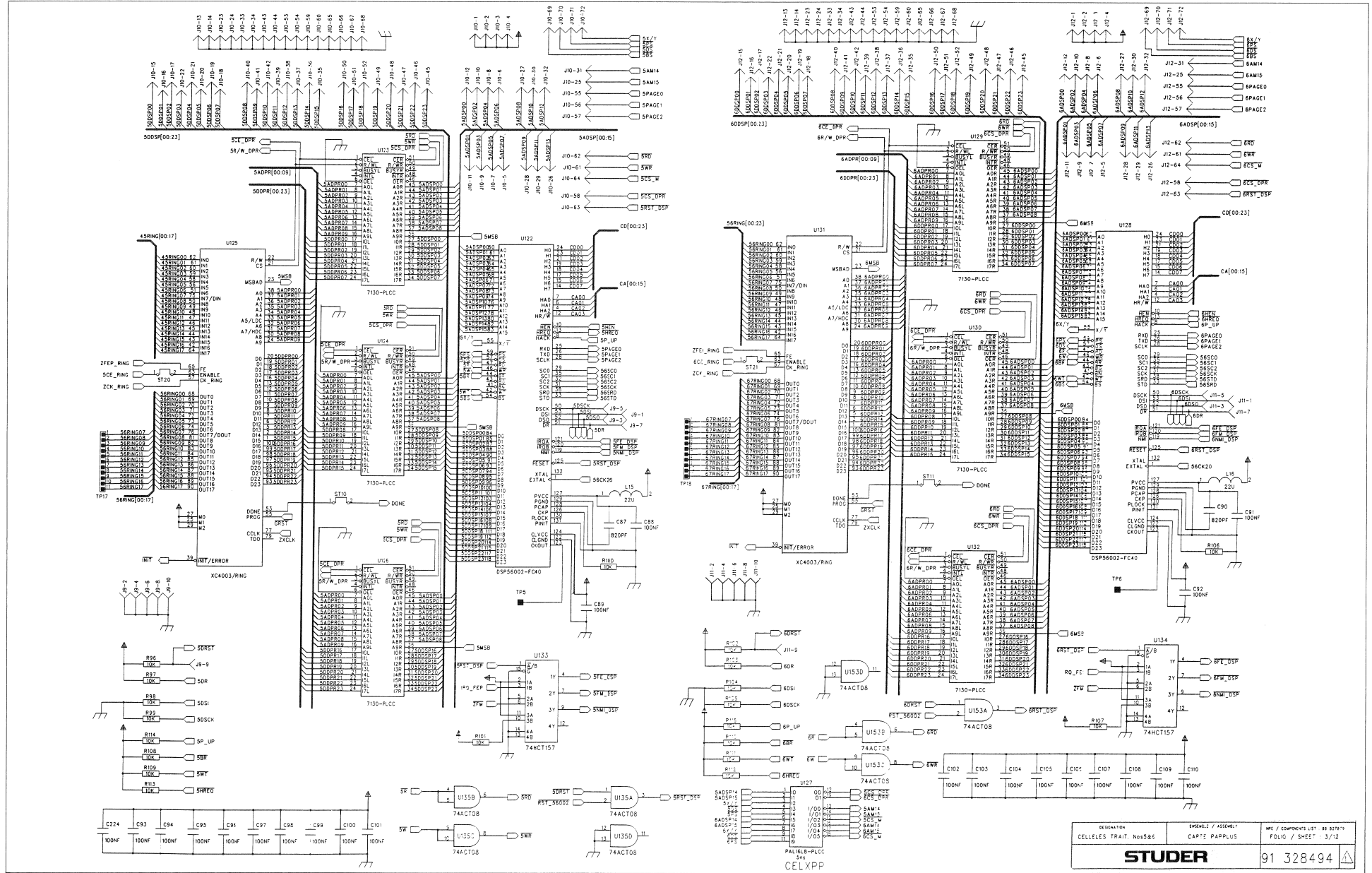
REPERE	IND	COMPOSANT	DESIGNATION	QTE	FABRIQUE
U95		95360200	74FCT833B-P	1	
U96		95360195	PAL20R4B	1	
U96		00010043	PROGRAMME "PARPAP"	1	
U97		95360200	74FCT833B-P	1	
U98		95340009	74FCT833A-P	1	
U99		95360111	26LS31	1	
U100		95343078	26LS32	1	
U101		95343078	26LS32	1	
U102		95343078	26LS32	1	
U103		95360043	75157	1	
U104		95343078	26LS32	1	
U105		95343078	26LS32	1	
U106		95360175	74FCT244	1	
U107		95360198	7130 L-25-P	1	
U108		95360192	74FCT652	1	
U109		95360198	7130 L-25-P	1	
U110		95360175	74FCT244	1	
U111		95360198	7130 L-25-P	1	
U112		95360192	74FCT652	1	
U113		95360207	7164 L-45-TP	1	
U114		95363023	74HC85	1	
U115		95360114	74F08	1	
U116		95360175	74FCT244	1	
U117		95332031	7406	1	
U118		95340009	74FCT833A-P	1	
U119		95360205	27C256-25-P	1	
U120		95360191	GAL20V8-35Q	1	
U120		00010044	PROGRAMME "SRQ" (EN 20R4)	1	
U121		95343078	26LS32	1	
U122		95343078	26LS32	1	
U123		95360177	74FCT374	1	
U124		95360189	74FCT245	1	
U125		95363035	74F74	1	
U126		95360175	74FCT244	1	
U127		95360175	74FCT244	1	
Z1		94320003	CAVALIER COMATEL	1	
Z10		94480308	SUPPORT CINT 28C LARGE	1	
Z13		97880003	ENTRETOISE EXALIS4 LONG:5 ACCEL	6	
Z14		97612209	VIS V126 CBL M2,5x16	6	
Z15		94480023	VERROUILLAGE SOURIAU B630-01-060	8	
Z16		94480018	SUPPORT PGA-068-CH3-S-TG ROBINSON	2	
Z17		94480019	SUPPORT PGA-088-CH3-S-TG ROBINSON	1	
Z18		94480318	SUPPORT PLCC 84C SCC84T ANTELEC	1	
Z19		91316870	RAIDISSEUR CARTE 9U	1	
Z2		94480301	SUPPORT CINT 8C	4	
Z3		94480304	SUPPORT CINT 14C COUDE	1	
Z4		94480302	SUPPORT CINT 14C	12	
Z5		94480303	SUPPORT CINT 16C	31	
Z6		94480305	SUPPORT CINT 20C	39	
Z7		94480313	SUPPORT CINT 24C	27	
Z8		94480316	SUPPORT CINT 28C ETROIT	3	
Z9		94480311	SUPPORT CINT 48C	7	

SCHEMATA / CIRCUIT DIAGRAMS

Pap Plus Board Extended Memory	42.355.278.89
Pap Plus Board Extended Memory 32k x 8	42.355.278.81
Pap Plus Board Extended Memory 128k x 8	42.355.278.80

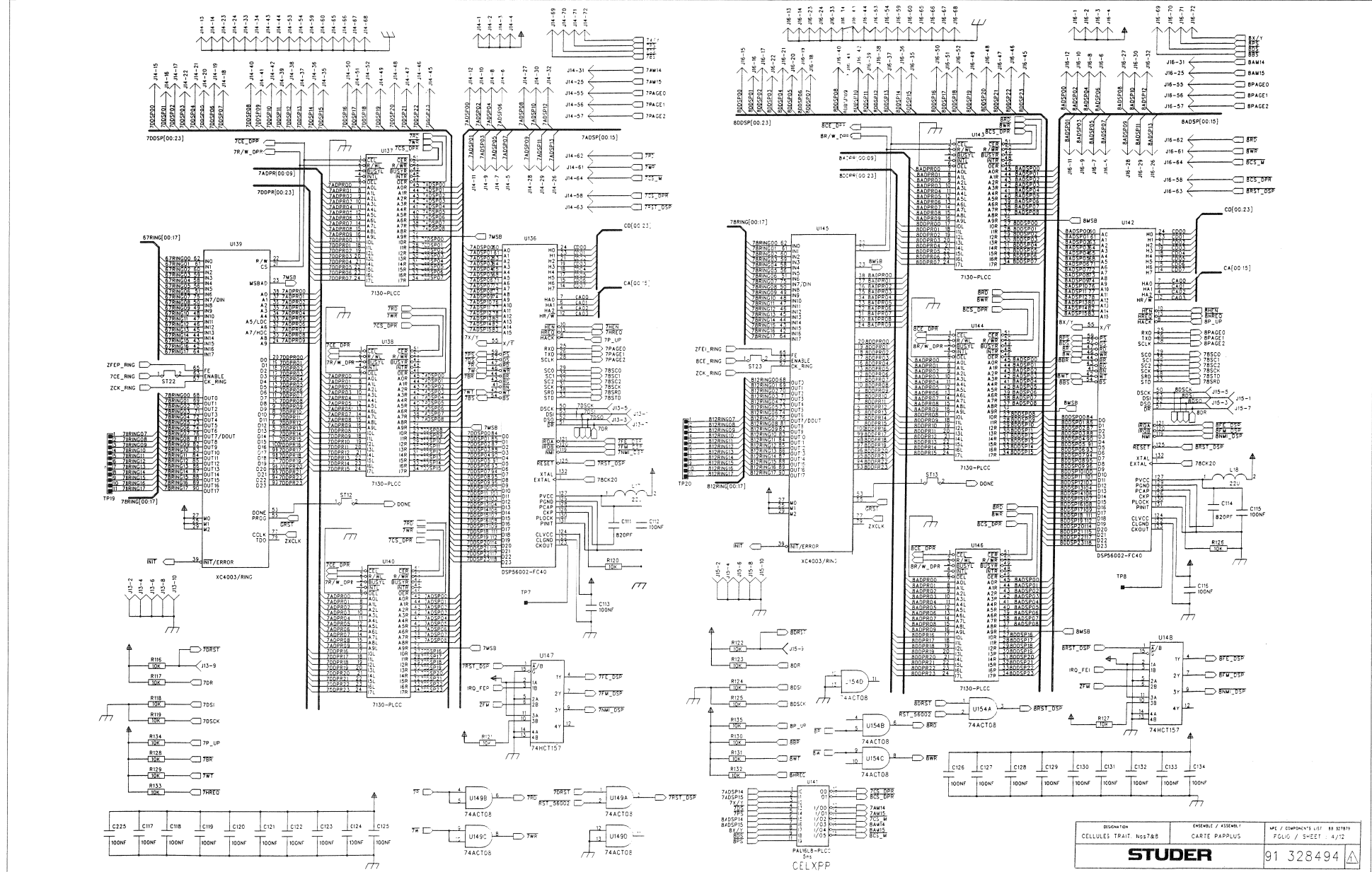


Pap Plus Board Extended Memory 42.355.278.89





Pap Plus Board Extended Memory 42.355.278.89

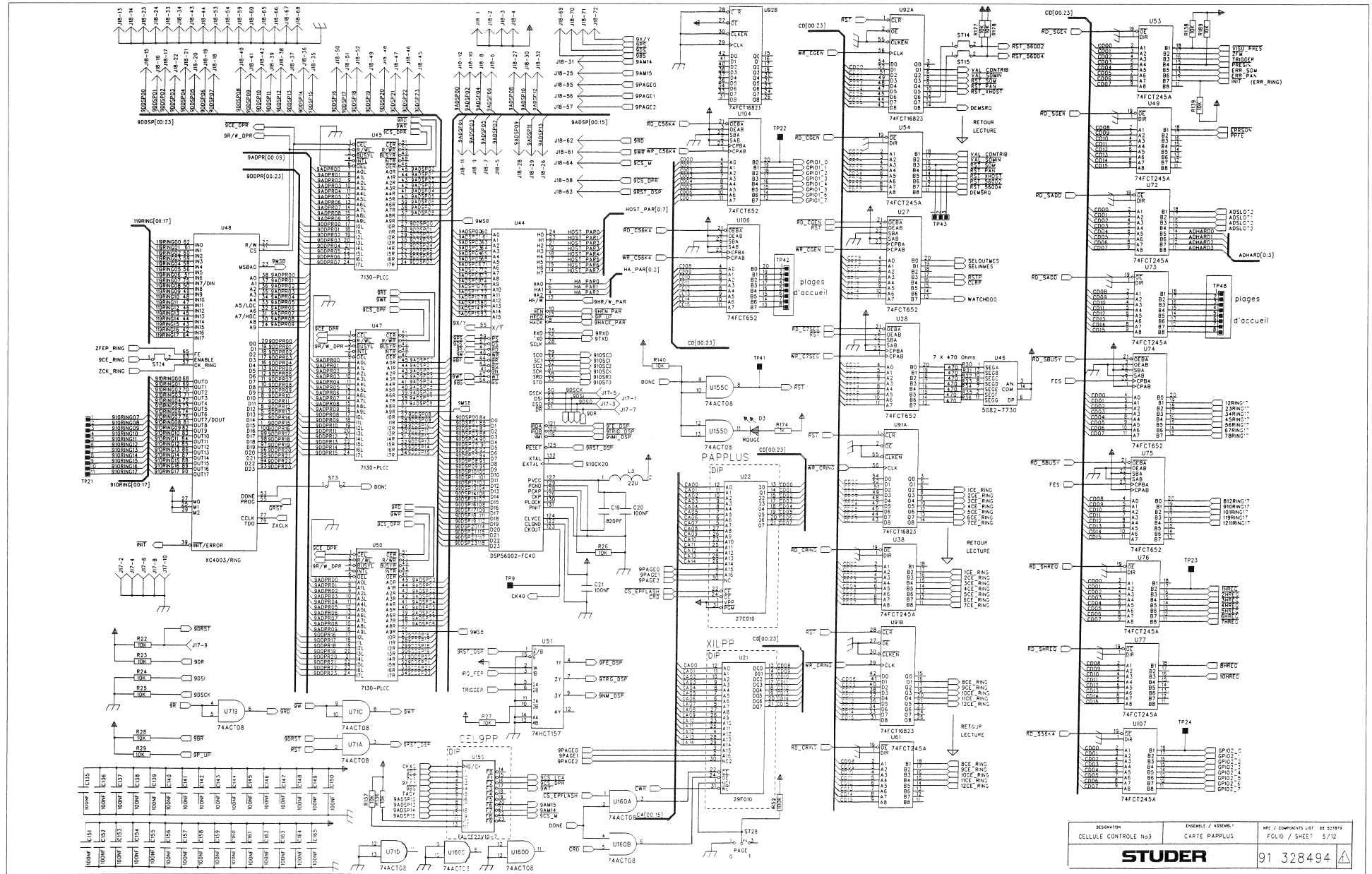


REGULATION	EMERGENCY / ASSEMBLY	REF. / SHEET
CELLULES TRAIT Nss7&8	CARTE PAPPPLUS	91 328494

STUDER

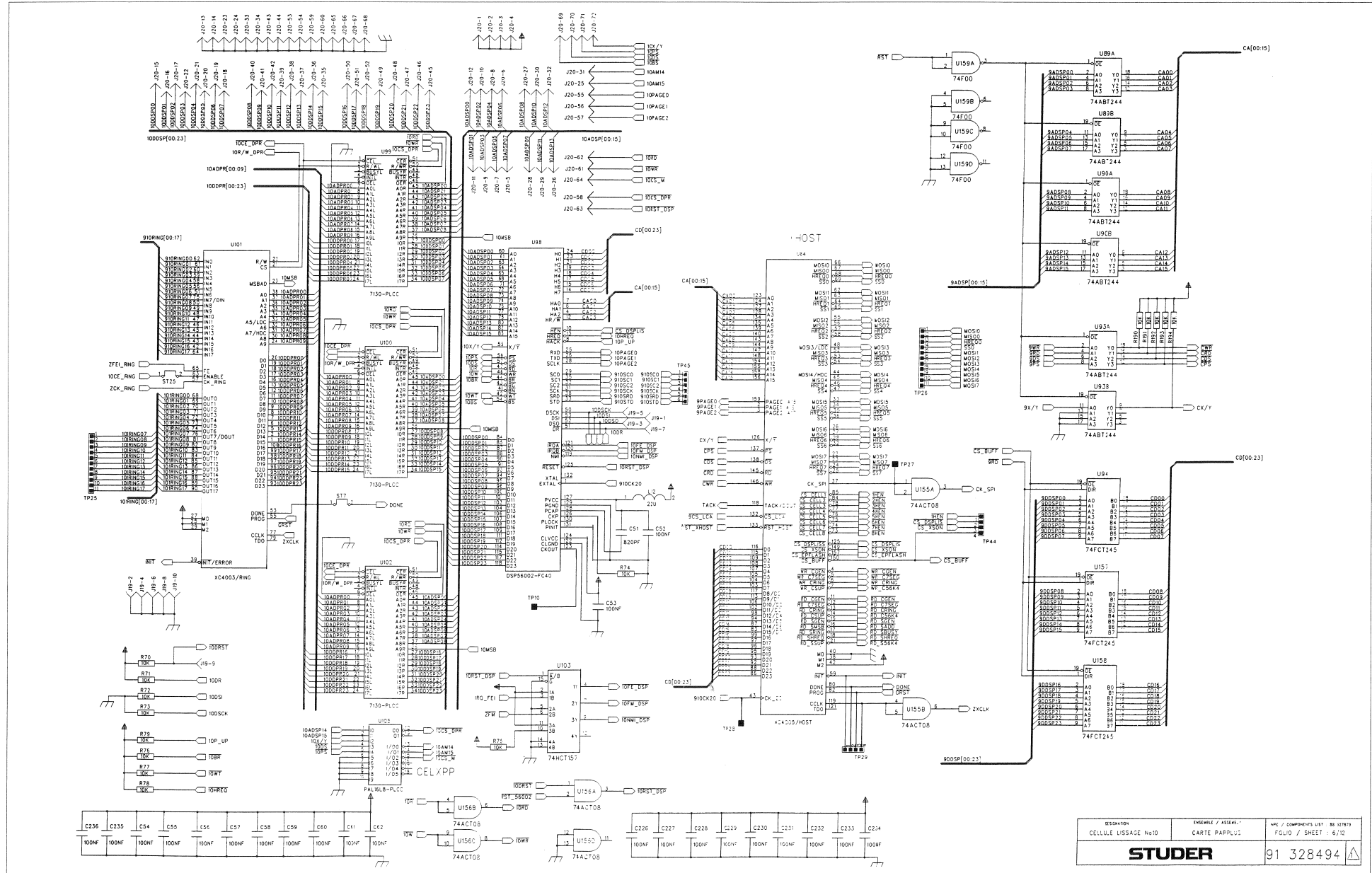


Pap Plus Board Extended Memory 42.355.278.89



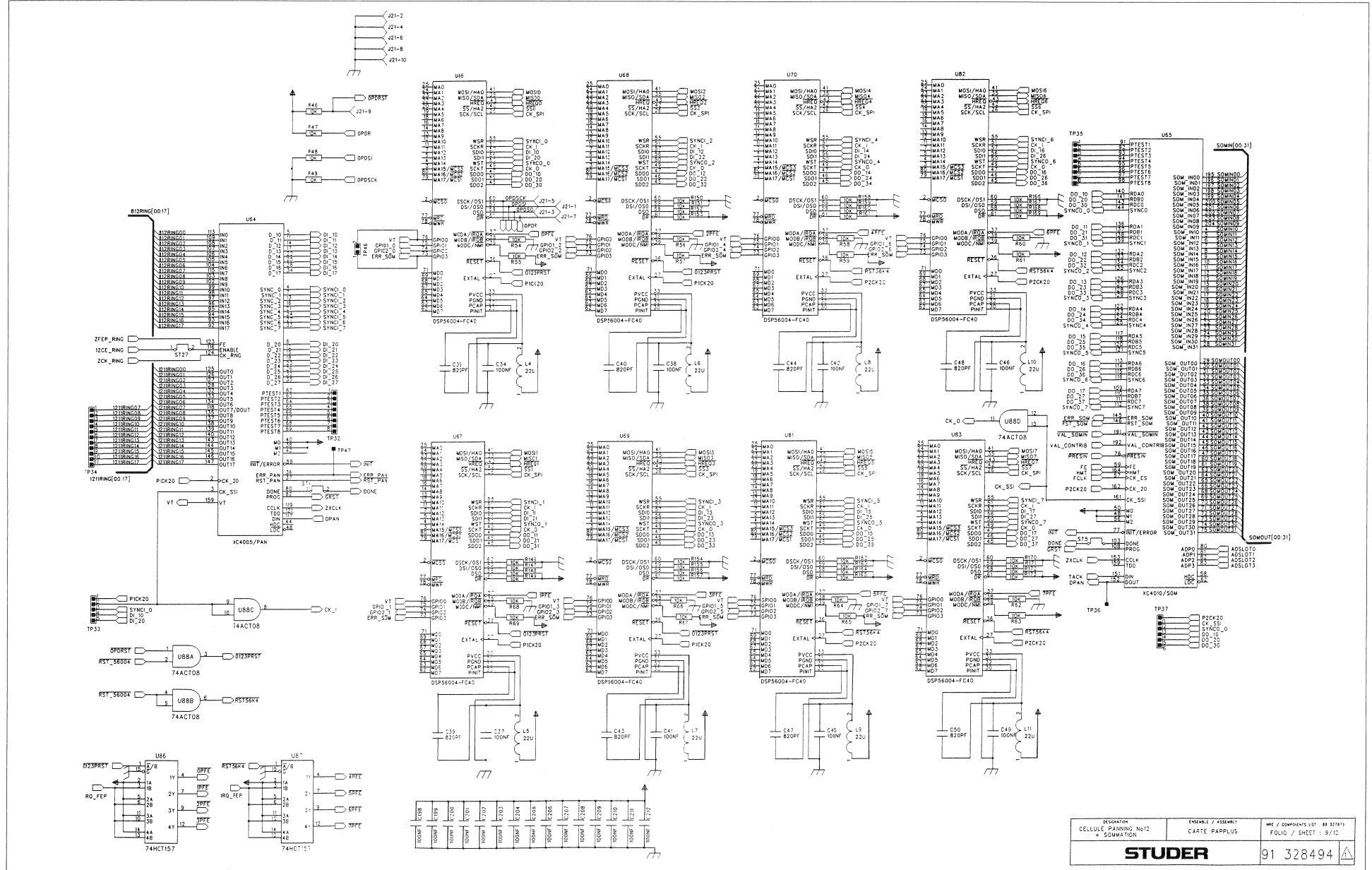


Pap Plus Board Extended Memory 42.355.278.89





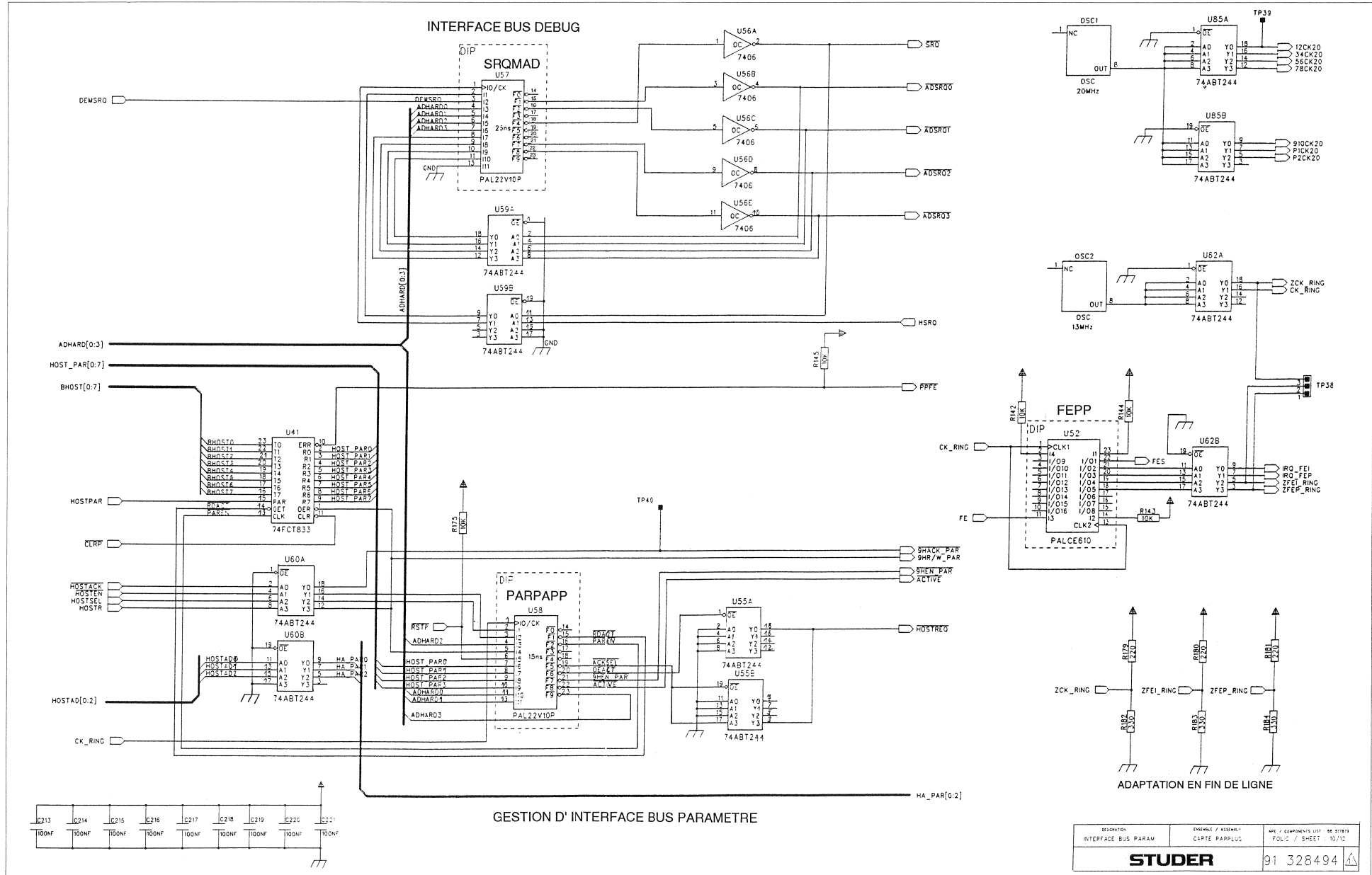
Pap Plus Board Extended Memory 42.355.278.89



DESIGNATION	ENSEMBLE / ASSEMBLY	N°E / COMPONENTS LIST
CELLULE: PANNON No 2	CARTE PAPPLUS	FOLIO / SHEET: 9/12
STUDER		91 328494



Pap Plus Board Extended Memory 42.355.278.89

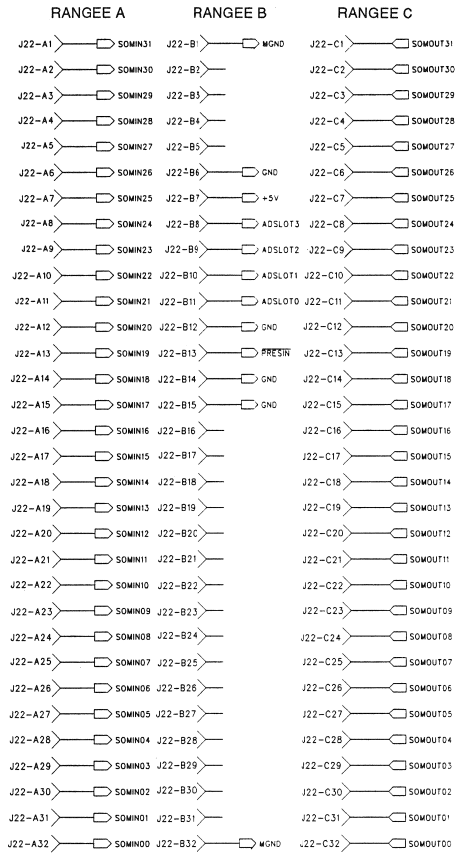


DESIGNATION	ENSEMBLE / ASSEMBLÉ	REF. / EQUIPEMENTS LUT
INTERFACE BUS PARAM	CAPTE PAPPPLUS	NO. 01979
STUDER		FOL. 2 / SHEET 10/12
91 328494		

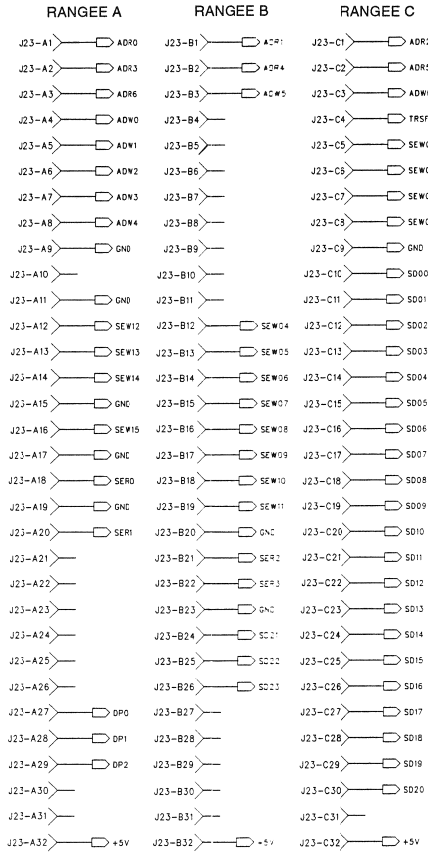


Pap Plus Board Extended Memory 42.355.278.89

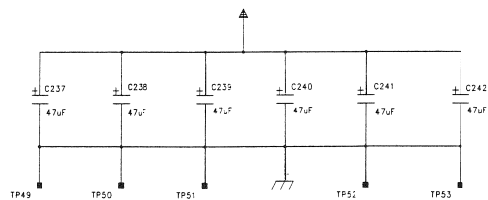
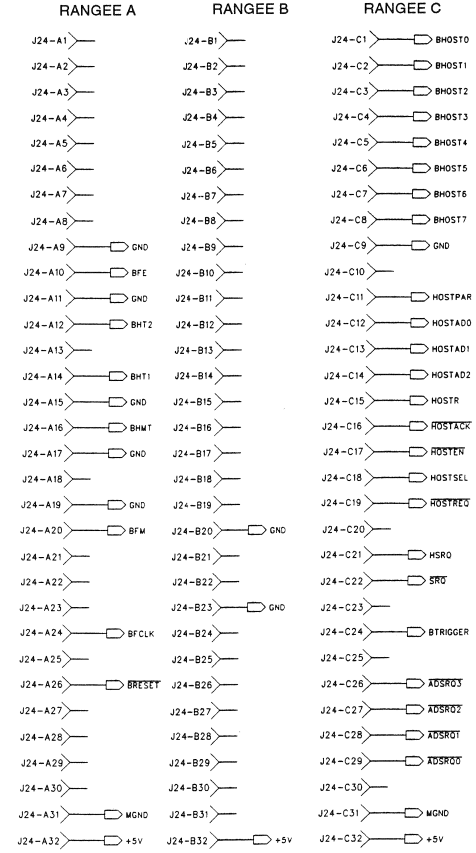
CONNECTEUR SUPERIEUR



CONNECTEUR MILIEU



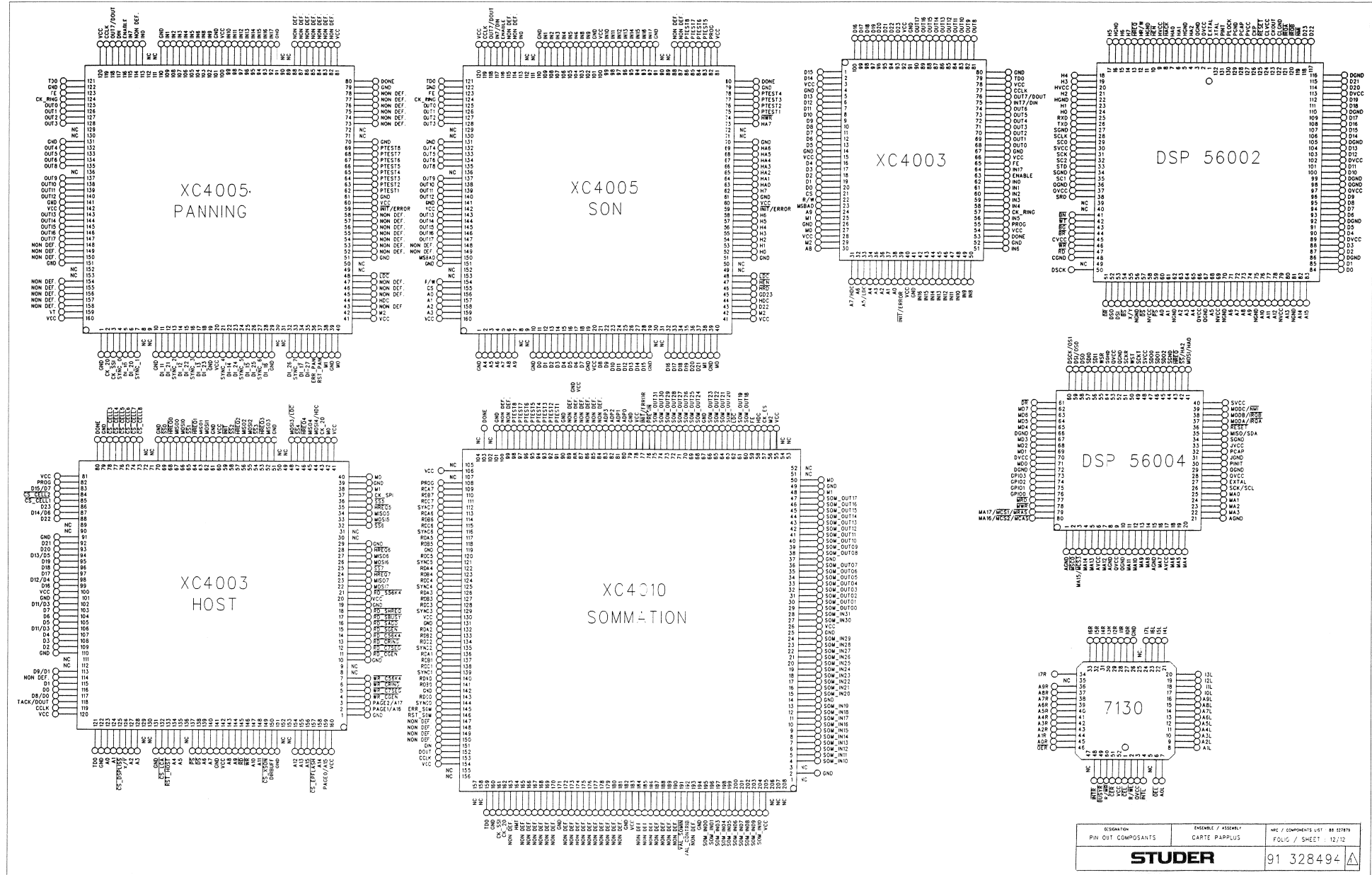
CONNECTEUR INFERIEUR



DESIGNATION CONNECTEURS	ENSEMBLE / ASSEMBLY CARTE PAPPLUS	N°E / COMPLEMENTS LIST 08 037819 FOLIO / SHEET 11/12
STUDER		91 328494

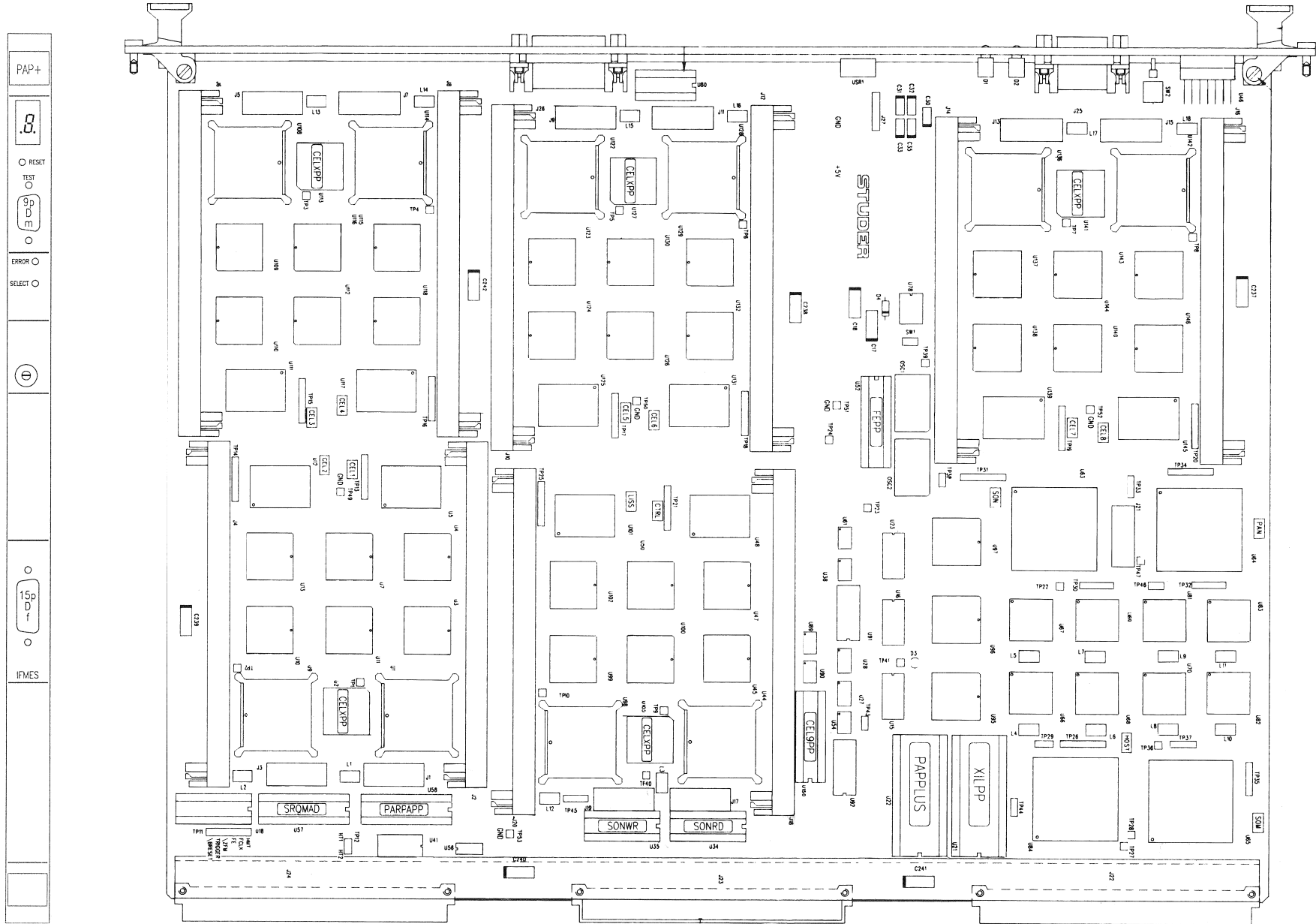


Pap Plus Board Extended Memory 42.355.278.89



DESIGNATION PIN OUT COMPONENTS	EMBAIE / ASSEMBLY CARTE PAPPLUS	NUM. / COMMENTS LIST FOLIO / SHEET : 12/12
STUDER		91 328494

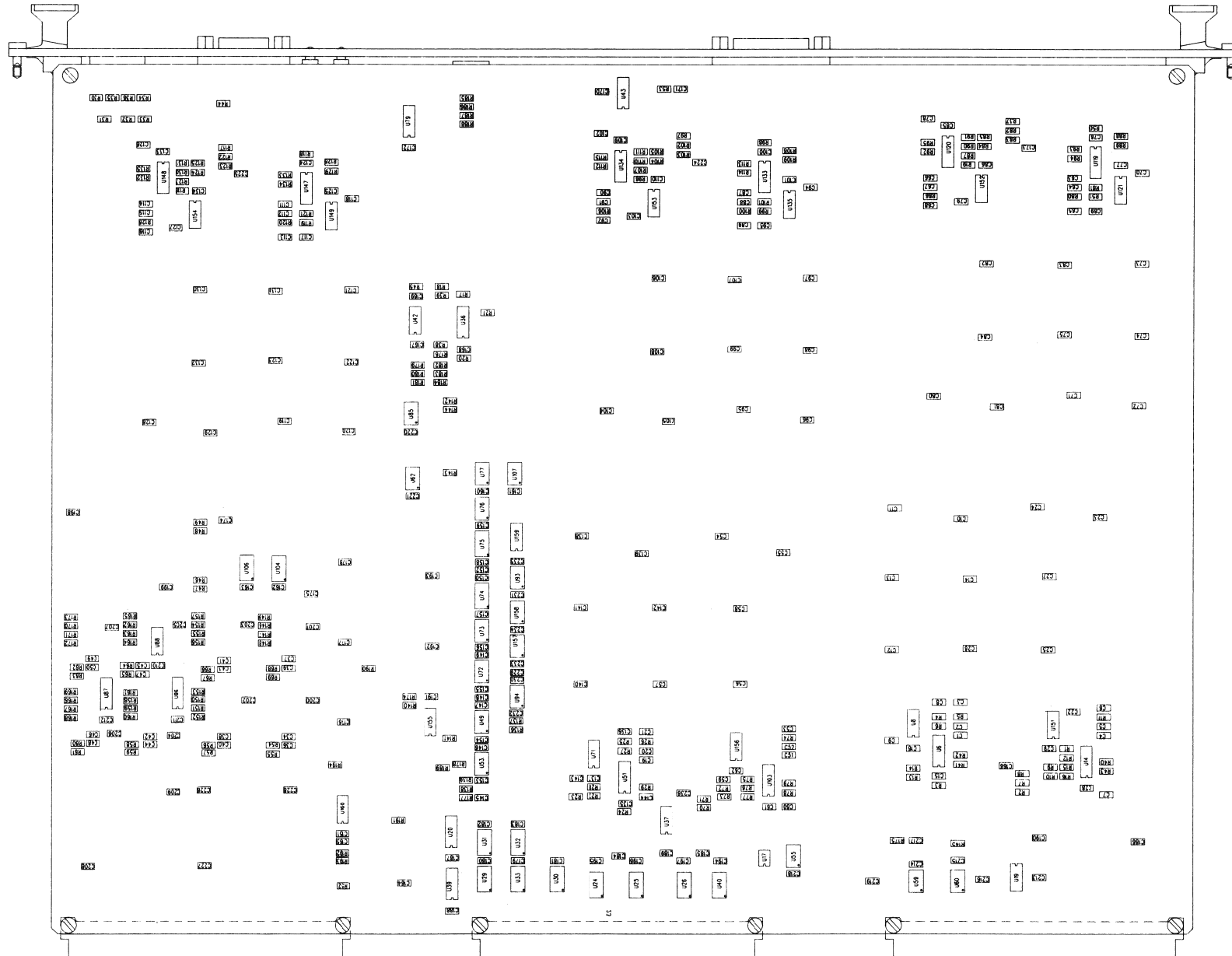
Pap Plus Board Extended Memory 42.355.278.89



SECTION 6



Pap Plus Board Extended Memory 42.355.278.89





Pap Plus Board Extended Memory 42.355.278.89

MODIF.: IND. Xa=ajout - IND. Xm=modif. ref. et/ou valeur - IND. Xs=suppression										MODIF.: IND. Xa=ajout - IND. Xm=modif. ref. et/ou valeur - IND. Xs=suppression									
REPERE	IND	COMPOSANT	DESIGNATION	VALEUR	QTE	FABRICO.	BOITIER	REPERE	IND	COMPOSANT	DESIGNATION	VALEUR	QTE	FABRICO.	BOITIER				
A1		91328494	SCHEMA		1			C67		95500022	CONDENSATEUR	CNC2 100nF	20%	25V	1	0805			
A2		91224166	FILM CIRCUIT		1			C68		95500022	CONDENSATEUR	CNC2 100nF	20%	25V	1	0805			
A3		30224166	TEST DE CONFORMITE		1			C69		95500022	CONDENSATEUR	CNC2 100nF	20%	25V	1	0805			
A4		91224167	FILM DE SERIGRAPHIE		1			C70		95500022	CONDENSATEUR	CNC2 100nF	20%	25V	1	0805			
A5		91224168	FILM EPARGNE SOUDURE		1			C71		95500022	CONDENSATEUR	CNC2 100nF	20%	25V	1	0805			
A6		91224169	FILM PATE A BRASER		1			C72		95500022	CONDENSATEUR	CNC2 100nF	20%	25V	1	0805			
A7		30224169	ECRAN PATE A BRASER		1			C73		95500022	CONDENSATEUR	CNC2 100nF	20%	25V	1	0805			
A8		91122597	PLAN DE FABRICATION		1			C74		95500022	CONDENSATEUR	CNC2 100nF	20%	25V	1	0805			
A9		30122597	OUTIL DE FABRICATION		1			C75		95500022	CONDENSATEUR	CNC2 100nF	20%	25V	1	0805			
A10		91122598	USINAGE FACE AVANT		1			C76		95500022	CONDENSATEUR	CNC2 100nF	20%	25V	1	0805			
A11		91224170	FILM SERIGRAPHIE FACE AVANT		1			C77		95500022	CONDENSATEUR	CNC2 100nF	20%	25V	1	0805			
A12		91224171	PLAN DE SERIGRAPHIE FACE AVANT		1			C78		95500022	CONDENSATEUR	CNC2 100nF	20%	25V	1	0805			
A13		30224171	OUTIL DE SERIGRAPHIE FACE AVANT		1			C79		95500022	CONDENSATEUR	CNC2 100nF	20%	25V	1	0805			
A14		91815561	MYLAR ETIQUETTE POIGNEE REPERE D11		1			C80		95500022	CONDENSATEUR	CNC2 100nF	20%	25V	1	0805			
A15		91830850	PLAN DE SERIGRAPHIE ETIQ. POIGNEE		1			C81		95500022	CONDENSATEUR	CNC2 100nF	20%	25V	1	0805			
A16		30830850	OUTIL DE SERIGRAPHIE POIGNEE		1			C82		95500022	CONDENSATEUR	CNC2 100nF	20%	25V	1	0805			
A17		91815505	ETIQUETTE REPERE CONNECTEUR		1			C83		95500022	CONDENSATEUR	CNC2 100nF	20%	25V	1	0805			
A18		91316870	RAIDISSEUR		1			C84		95500022	CONDENSATEUR	CNC2 100nF	20%	25V	1	0805			
A19		91122599	PLAN D'EQUIPEMENT		1			C85		95500022	CONDENSATEUR	CNC2 100nF	20%	25V	1	0805			
A20		91815597	VIS CBL M2,5x14		6			C86		95500022	CONDENSATEUR	CNC2 100nF	20%	25V	1	0805			
C1		95500021	CONDENSATEUR	CNC2 820pF	10%	63V	1	0805	C87		95500021	CONDENSATEUR	CNC2 820pF	10%	63V	1	0805		
C2		95500022	CONDENSATEUR	CNC2 100nF	20%	25V	1	0805	C88		95500022	CONDENSATEUR	CNC2 100nF	20%	25V	1	0805		
C3		95500022	CONDENSATEUR	CNC2 100nF	20%	25V	1	0805	C89		95500022	CONDENSATEUR	CNC2 100nF	20%	25V	1	0805		
C4		95500021	CONDENSATEUR	CNC2 820pF	10%	63V	1	0805	C90		95500021	CONDENSATEUR	CNC2 820pF	10%	63V	1	0805		
C5		95500022	CONDENSATEUR	CNC2 100nF	20%	25V	1	0805	C91		95500022	CONDENSATEUR	CNC2 100nF	20%	25V	1	0805		
C6		95500022	CONDENSATEUR	CNC2 100nF	20%	25V	1	0805	C92		95500022	CONDENSATEUR	CNC2 100nF	20%	25V	1	0805		
C7		95500022	CONDENSATEUR	CNC2 100nF	20%	25V	1	0805	C93		95500022	CONDENSATEUR	CNC2 100nF	20%	25V	1	0805		
C8		95500022	CONDENSATEUR	CNC2 100nF	20%	25V	1	0805	C94		95500022	CONDENSATEUR	CNC2 100nF	20%	25V	1	0805		
C9		95500022	CONDENSATEUR	CNC2 100nF	20%	25V	1	0805	C95		95500022	CONDENSATEUR	CNC2 100nF	20%	25V	1	0805		
C10		95500022	CONDENSATEUR	CNC2 100nF	20%	25V	1	0805	C96		95500022	CONDENSATEUR	CNC2 100nF	20%	25V	1	0805		
C11		95500022	CONDENSATEUR	CNC2 100nF	20%	25V	1	0805	C97		95500022	CONDENSATEUR	CNC2 100nF	20%	25V	1	0805		
C12		95500022	CONDENSATEUR	CNC2 100nF	20%	25V	1	0805	C98		95500022	CONDENSATEUR	CNC2 100nF	20%	25V	1	0805		
C13		95500022	CONDENSATEUR	CNC2 100nF	20%	25V	1	0805	C99		95500022	CONDENSATEUR	CNC2 100nF	20%	25V	1	0805		
C14		95500022	CONDENSATEUR	CNC2 100nF	20%	25V	1	0805	C100		95500022	CONDENSATEUR	CNC2 100nF	20%	25V	1	0805		
C15		95500022	CONDENSATEUR	CNC2 100nF	20%	25V	1	0805	C101		95500022	CONDENSATEUR	CNC2 100nF	20%	25V	1	0805		
C16		95500022	CONDENSATEUR	CNC2 100nF	20%	25V	1	0805	C102		95500022	CONDENSATEUR	CNC2 100nF	20%	25V	1	0805		
C17		95500024	CONDENSATEUR	2930 47uF	10%	10V	1	SPRAGUE CASE D	C103		95500022	CONDENSATEUR	CNC2 100nF	20%	25V	1	0805		
C18		95500024	CONDENSATEUR	2930 47uF	10%	10V	1	SPRAGUE CASE D	C104		95500022	CONDENSATEUR	CNC2 100nF	20%	25V	1	0805		
C19		95500021	CONDENSATEUR	CNC2 820pF	10%	63V	1	0805	C105		95500022	CONDENSATEUR	CNC2 100nF	20%	25V	1	0805		
C20		95500022	CONDENSATEUR	CNC2 100nF	20%	25V	1	0805	C106		95500022	CONDENSATEUR	CNC2 100nF	20%	25V	1	0805		
C21		95500022	CONDENSATEUR	CNC2 100nF	20%	25V	1	0805	C107		95500022	CONDENSATEUR	CNC2 100nF	20%	25V	1	0805		
C22		95500022	CONDENSATEUR	CNC2 100nF	20%	25V	1	0805	C108		95500022	CONDENSATEUR	CNC2 100nF	20%	25V	1	0805		
C23		95500022	CONDENSATEUR	CNC2 100nF	20%	25V	1	0805	C109		95500022	CONDENSATEUR	CNC2 100nF	20%	25V	1	0805		
C24		95500022	CONDENSATEUR	CNC2 100nF	20%	25V	1	0805	C110		95500022	CONDENSATEUR	CNC2 100nF	20%	25V	1	0805		
C25		95500022	CONDENSATEUR	CNC2 100nF	20%	25V	1	0805	C111		95500021	CONDENSATEUR	CNC2 820pF	10%	63V	1	0805		
C26		95500022	CONDENSATEUR	CNC2 100nF	20%	25V	1	0805	C112		95500022	CONDENSATEUR	CNC2 100nF	20%	25V	1	0805		
C27		95500022	CONDENSATEUR	CNC2 100nF	20%	25V	1	0805	C113		95500022	CONDENSATEUR	CNC2 100nF	20%	25V	1	0805		
C28		95500022	CONDENSATEUR	CNC2 100nF	20%	25V	1	0805	C114		95500021	CONDENSATEUR	CNC2 820pF	10%	63V	1	0805		
C29		95500022	CONDENSATEUR	CNC2 100nF	20%	25V	1	0805	C115		95500022	CONDENSATEUR	CNC2 100nF	20%	25V	1	0805		
C30		95500023	CONDENSATEUR	CNC2 1uF	10%	16V	1	SPRAGUE CASE A	C116		95500022	CONDENSATEUR	CNC2 100nF	20%	25V	1	0805		
C31		95500023	CONDENSATEUR	CNC2 1uF	10%	16V	1	SPRAGUE CASE A	C117		95500022	CONDENSATEUR	CNC2 100nF	20%	25V	1	0805		
C32		95500023	CONDENSATEUR	CNC2 1uF	10%	16V	1	SPRAGUE CASE A	C118		95500022	CONDENSATEUR	CNC2 100nF	20%	25V	1	0805		
C33		95500023	CONDENSATEUR	CNC2 1uF	10%	16V	1	SPRAGUE CASE A	C119		95500022	CONDENSATEUR	CNC2 100nF	20%	25V	1	0805		
C34		95500022	CONDENSATEUR	CNC2 100nF	20%	25V	1	0805	C120		95500022	CONDENSATEUR	CNC2 100nF	20%	25V	1	0805		
C35		95500023	CONDENSATEUR	CNC2 1uF	10%	16V	1	SPRAGUE CASE A	C121		95500022	CONDENSATEUR	CNC2 100nF	20%	25V	1	0805		
C36		95500021	CONDENSATEUR	CNC2 820pF	10%	63V	1	0805	C122		95500022	CONDENSATEUR	CNC2 100nF	20%	25V	1	0805		
C37		95500022	CONDENSATEUR	CNC2 100nF	20%	25V	1	0805	C123		95500022	CONDENSATEUR	CNC2 100nF	20%	25V	1	0805		
C38		95500022	CONDENSATEUR	CNC2 100nF	20%	25V	1	0805	C124		95500022	CONDENSATEUR	CNC2 100nF	20%	25V	1	0805		
C39		95500021	CONDENSATEUR	CNC2 820pF	10%	63V	1	0805	C125		95500022	CONDENSATEUR	CNC2 100nF	20%	25V	1	0805		
C40		95500021	CONDENSATEUR	CNC2 820pF	10%	63V	1	0805	C126		95500022	CONDENSATEUR	CNC2 100nF	20%	25V	1	0805		
C41		95500022	CONDENSATEUR	CNC2 100nF	20%	25V	1	0805	C127		95500022	CONDENSATEUR	CNC2 100nF	20%	25V	1	0805		
C42		95500022	CONDENSATEUR	CNC2 100nF	20%	25V	1	0805	C128		95500022	CONDENSATEUR	CNC2 100nF	20%	25V	1	0805		
C43		95500021	CONDENSATEUR	CNC2 820pF	20%	25V	1	0805	C129		95500022	CONDENSATEUR	CNC2 100nF	20%	25V	1	0805		
C44		95500021	CONDENSATEUR	CNC2 820pF	20%	25V	1	0805	C130		95500022	CONDENSATEUR	CNC2 100nF	20%	25V	1	0805		
C45		95500022	CONDENSATEUR	CNC2 100nF	20%	25V	1	0805	C131		95500022	CONDENSATEUR	CNC2 100nF	20%	25V	1	0805		
C46		95500022	CONDENSATEUR	CNC2 100nF	20%	25V	1	0805	C132		95500022	CONDENSATEUR	CNC2 100nF	20%	25V	1	0805		
C47		95500021	CONDENSATEUR	CNC2 820pF	10%	63V	1	0805	C133		95500022	CONDENSATEUR	CNC2 100nF	20%	25V	1	0805		
C48		95500021	CONDENSATEUR	CNC2 820pF	10%	63V	1	0805	C134		95500022	CONDENSATEUR	CNC2 100nF	20%	25V	1	0805		
C49		95500022	CONDENSATEUR	CNC2 100nF	20%	25V	1	0805	C135		95500022	CONDENSATEUR	CNC2 100nF	20%	25V	1	0805		
C50		95500021	CONDENSATEUR	CNC2 820pF	10%	63V	1	0805	C136		95500022	CONDENSATEUR	CNC2 100nF	20%	25V	1	0805		
C51		95500021	CONDENSATEUR	CNC2 820pF	10%	63V	1	0805	C137		95500022	CONDENSATEUR	CNC2 100nF	20%	25V	1	0805		
C52		95500022	CONDENSATEUR	CNC2 100nF	20%	25V	1	0805	C138		95500022	CONDENSATEUR	CNC2 100nF	20%	25V	1	0805		
C53		95500022	CONDENSATEUR	CNC2 100nF	20%	25V	1	0805	C139		95500022	CONDENSATEUR	CNC2 100nF	20%	25V	1	0805		
C54		95500022	CONDENSATEUR	CNC2 100nF	20%	25V	1	0805	C140		95500022	CONDENSATEUR	CNC2 100nF	20%	25V	1	0805		
C55		95500022	CONDENSATEUR	CNC2 100nF	20%	25V	1	0805	C141		95500022	CONDENSATEUR	CNC2 100nF	20%	25V	1	0805		
C56		95500022	CONDENSATEUR	CNC2 100nF	20%	25V	1	0805	C142		95500022	CONDENSATEUR	CNC2 100nF	20%	25V	1	0805		
C57		95500022	CONDENSATEUR	CNC2 100nF	20%	25V	1	0805	C143		95500022	CONDENSATEUR	CNC2 100nF	20%	25V	1	0805		
C58		95500022	CONDENSATEUR	CNC2 100nF	20%	25V	1	0805	C144		95500022	CONDENSATEUR	CNC2 100nF	20%	25V	1	0805		
C59		95500022	CONDENSATEUR	CNC2 100nF	20%</														



Pap Plus Board Extended Memory 42.355.278.89

REPERE	IND	COMPOSANT	DESIGNATION	VALEUR	QTE	FABRIQ.	BOITIER	REPERE	IND	COMPOSANT	DESIGNATION	VALEUR	QTE	FABRIQ.	BOITIER
C153		95500022	CONDENSATEUR	CNC2 100nF 20% 25V	1		0805	D1		95163002	LED VERT	HLMF-1790	1		HEWLETT
C154		95500022	CONDENSATEUR	CNC2 100nF 20% 25V	1		0805	D2		95163000	LED ROUGE	HLMF-1700	1		HEWLETT
C155		95500022	CONDENSATEUR	CNC2 100nF 20% 25V	1		0805	D3		95163002	LED DIA:1,8 ROUGE	LTL709R (223945)	1		ORBITEC
C156		95500022	CONDENSATEUR	CNC2 100nF 20% 25V	1		0805	D4		95222854	DIODE	S104 1N4448	1		
C157		95500022	CONDENSATEUR	CNC2 100nF 20% 25V	1		0805	J1		94420266	CONNECT HE10 DROIT	PROFIL REDUIT	0		
C158		95500022	CONDENSATEUR	CNC2 100nF 20% 25V	1		0805	J2		1m 94420266	CONNECT SIMM 72	87 734	1		ASCOM
C159		95500022	CONDENSATEUR	CNC2 100nF 20% 25V	1		0805	J3		3s 94426068	CONNECT HE10 DROIT	PROFIL REDUIT	0		
C160		95500022	CONDENSATEUR	CNC2 100nF 20% 25V	1		0805	J4		1m 94420266	CONNECT SIMM 72	87 734	1		ASCOM
C161		95500022	CONDENSATEUR	CNC2 100nF 20% 25V	1		0805	J5		3s 94426068	CONNECT HE10 DROIT	PROFIL REDUIT	0		
C162		95500022	CONDENSATEUR	CNC2 100nF 20% 25V	1		0805	J6		1m 94420266	CONNECT SIMM 72	87 734	1		ASCOM
C163		95500022	CONDENSATEUR	CNC2 100nF 20% 25V	1		0805	J7		3s 94426068	CONNECT HE10 DROIT	PROFIL REDUIT	0		
C164		95500022	CONDENSATEUR	CNC2 100nF 20% 25V	1		0805	J8		1m 94420266	CONNECT SIMM 72	87 734	1		ASCOM
C165		95500022	CONDENSATEUR	CNC2 100nF 20% 25V	1		0805	J9		3s 94426068	CONNECT HE10 DROIT	PROFIL REDUIT	0		
C166		95500022	CONDENSATEUR	CNC2 100nF 20% 25V	1		0805	J10		1m 94420266	CONNECT SIMM 72	87 734	1		ASCOM
C167		95500022	CONDENSATEUR	CNC2 100nF 20% 25V	1		0805	J11		3s 94426068	CONNECT HE10 DROIT	PROFIL REDUIT	0		
C168		95500022	CONDENSATEUR	CNC2 100nF 20% 25V	1		0805	J12		1m 94420266	CONNECT SIMM 72	87 734	1		ASCOM
C169		95500022	CONDENSATEUR	CNC2 100nF 20% 25V	1		0805	J13		3s 94426068	CONNECT HE10 DROIT	PROFIL REDUIT	0		
C170		95500022	CONDENSATEUR	CNC2 100nF 20% 25V	1		0805	J14		1m 94420266	CONNECT SIMM 72	87 734	1		ASCOM
C171		95500022	CONDENSATEUR	CNC2 100nF 20% 25V	1		0805	J15		3s 94426068	CONNECT HE10 DROIT	PROFIL REDUIT	0		
C172		95500022	CONDENSATEUR	CNC2 100nF 20% 25V	1		0805	J16		1m 94420266	CONNECT SIMM 72	87 734	1		ASCOM
C173		95500022	CONDENSATEUR	CNC2 100nF 20% 25V	1		0805	J17		3s 94426068	CONNECT HE10 DROIT	PROFIL REDUIT	0		
C174		95500022	CONDENSATEUR	CNC2 100nF 20% 25V	1		0805	J18		1m 94420266	CONNECT SIMM 72	87 734	1		ASCOM
C175		95500022	CONDENSATEUR	CNC2 100nF 20% 25V	1		0805	J19		3s 94426068	CONNECT HE10 DROIT	PROFIL REDUIT	0		
C176		95500022	CONDENSATEUR	CNC2 100nF 20% 25V	1		0805	J20		1m 94420266	CONNECT SIMM 72	87 734	1		ASCOM
C177		95500022	CONDENSATEUR	CNC2 100nF 20% 25V	1		0805	J21		3s 94426068	CONNECT HE10 DROIT	PROFIL REDUIT	0		
C178		95500022	CONDENSATEUR	CNC2 100nF 20% 25V	1		0805	J22		94410049	CONNECT DIN 96Pts	COUDE MALE	1		
C179		95500022	CONDENSATEUR	CNC2 100nF 20% 25V	1		0805	J23		94410049	CONNECT DIN 96Pts	COUDE MALE	1		
C180		95500022	CONDENSATEUR	CNC2 100nF 20% 25V	1		0805	J24		94410049	CONNECT DIN 96Pts	COUDE MALE	1		
C181		95500022	CONDENSATEUR	CNC2 100nF 20% 25V	1		0805	J25		94480021	CONNECT SUBD 9Pts M	ZEDE 111979-011	1		ITT
C182		95500022	CONDENSATEUR	CNC2 100nF 20% 25V	1		0805	J26		94480022	CONNECT SUBD 15Pts F	ZEDE 111978-111	1		ITT
C183		95500022	CONDENSATEUR	CNC2 100nF 20% 25V	1		0805	J27		94450009	REPART MINI WRAP	385-0358-1-40-40-0	125		COMATEL
C184		95500022	CONDENSATEUR	CNC2 100nF 20% 25V	1		0805	L1		95400012	SELF 22uH 10%	CM453232-220K	1		SECURE 1812
C185		95500022	CONDENSATEUR	CNC2 100nF 20% 25V	1		0805	L2		95400012	SELF 22uH 10%	CM453232-220K	1		SECURE 1812
C186		95500022	CONDENSATEUR	CNC2 100nF 20% 25V	1		0805	L3		95400012	SELF 22uH 10%	CM453232-220K	1		SECURE 1812
C187		95500022	CONDENSATEUR	CNC2 100nF 20% 25V	1		0805	L4		95400012	SELF 22uH 10%	CM453232-220K	1		SECURE 1812
C188		95500022	CONDENSATEUR	CNC2 100nF 20% 25V	1		0805	L5		95400012	SELF 22uH 10%	CM453232-220K	1		SECURE 1812
C189		95500022	CONDENSATEUR	CNC2 100nF 20% 25V	1		0805	L6		95400012	SELF 22uH 10%	CM453232-220K	1		SECURE 1812
C190		95500022	CONDENSATEUR	CNC2 100nF 20% 25V	1		0805	L7		95400012	SELF 22uH 10%	CM453232-220K	1		SECURE 1812
C191		95500022	CONDENSATEUR	CNC2 100nF 20% 25V	1		0805	L8		95400012	SELF 22uH 10%	CM453232-220K	1		SECURE 1812
C192		95500022	CONDENSATEUR	CNC2 100nF 20% 25V	1		0805	L9		95400012	SELF 22uH 10%	CM453232-220K	1		SECURE 1812
C193		95500022	CONDENSATEUR	CNC2 100nF 20% 25V	1		0805	L10		95400012	SELF 22uH 10%	CM453232-220K	1		SECURE 1812
C194		95500022	CONDENSATEUR	CNC2 100nF 20% 25V	1		0805	L11		95400012	SELF 22uH 10%	CM453232-220K	1		SECURE 1812
C195		95500022	CONDENSATEUR	CNC2 100nF 20% 25V	1		0805	L12		95400012	SELF 22uH 10%	CM453232-220K	1		SECURE 1812
C196		95500022	CONDENSATEUR	CNC2 100nF 20% 25V	1		0805	L13		95400012	SELF 22uH 10%	CM453232-220K	1		SECURE 1812
C197		95500022	CONDENSATEUR	CNC2 100nF 20% 25V	1		0805	L14		95400012	SELF 22uH 10%	CM453232-220K	1		SECURE 1812
C198		95500022	CONDENSATEUR	CNC2 100nF 20% 25V	1		0805	L15		95400012	SELF 22uH 10%	CM453232-220K	1		SECURE 1812
C199		95500022	CONDENSATEUR	CNC2 100nF 20% 25V	1		0805	L16		95400012	SELF 22uH 10%	CM453232-220K	1		SECURE 1812
C200		95500022	CONDENSATEUR	CNC2 100nF 20% 25V	1		0805	L17		95400012	SELF 22uH 10%	CM453232-220K	1		SECURE 1812
C201		95500022	CONDENSATEUR	CNC2 100nF 20% 25V	1		0805	L18		95400012	SELF 22uH 10%	CM453232-220K	1		SECURE 1812
C202		95500022	CONDENSATEUR	CNC2 100nF 20% 25V	1		0805	OSC1		95010013	OSCILLATEUR	NCH080C/20MHz	1		SARONIX 01P14
C203		95500022	CONDENSATEUR	CNC2 100nF 20% 25V	1		0805	OSC2		95010022	OSCILLATEUR	NCH080C/13MHz	1		SARONIX 01P14
C204		95500022	CONDENSATEUR	CNC2 100nF 20% 25V	1		0805	R1		95610012	RESISTANCE	10 KOHMS 5% 1/8W	1		0805
C205		95500022	CONDENSATEUR	CNC2 100nF 20% 25V	1		0805	R2		95610012	RESISTANCE	10 KOHMS 5% 1/8W	1		0805
C206		95500022	CONDENSATEUR	CNC2 100nF 20% 25V	1		0805	R3		95610012	RESISTANCE	10 KOHMS 5% 1/8W	1		0805
C207		95500022	CONDENSATEUR	CNC2 100nF 20% 25V	1		0805	R4		95610012	RESISTANCE	10 KOHMS 5% 1/8W	1		0805
C208		95500022	CONDENSATEUR	CNC2 100nF 20% 25V	1		0805	R5		95610012	RESISTANCE	10 KOHMS 5% 1/8W	1		0805
C209		95500022	CONDENSATEUR	CNC2 100nF 20% 25V	1		0805	R6		95610012	RESISTANCE	10 KOHMS 5% 1/8W	1		0805
C210		95500022	CONDENSATEUR	CNC2 100nF 20% 25V	1		0805	R7		95610012	RESISTANCE	10 KOHMS 5% 1/8W	1		0805
C211		95500022	CONDENSATEUR	CNC2 100nF 20% 25V	1		0805	R8		95610012	RESISTANCE	10 KOHMS 5% 1/8W	1		0805
C212		95500022	CONDENSATEUR	CNC2 100nF 20% 25V	1		0805	R9		95610012	RESISTANCE	10 KOHMS 5% 1/8W	1		0805
C213		95500022	CONDENSATEUR	CNC2 100nF 20% 25V	1		0805	R10		95610012	RESISTANCE	10 KOHMS 5% 1/8W	1		0805
C214		95500022	CONDENSATEUR	CNC2 100nF 20% 25V	1		0805	R11		95610012	RESISTANCE	10 KOHMS 5% 1/8W	1		0805
C215		95500022	CONDENSATEUR	CNC2 100nF 20% 25V	1		0805	R12		95610012	RESISTANCE	10 KOHMS 5% 1/8W	1		0805
C216		95500022	CONDENSATEUR	CNC2 100nF 20% 25V	1		0805	R13		95610012	RESISTANCE	10 KOHMS 5% 1/8W	1		0805
C217		95500022	CONDENSATEUR	CNC2 100nF 20% 25V	1		0805	R14		95610012	RESISTANCE	10 KOHMS 5% 1/8W	1		0805
C218		95500022	CONDENSATEUR	CNC2 100nF 20% 25V	1		0805	R15		95610012	RESISTANCE	10 KOHMS 5% 1/8W	1		0805
C219		95500022	CONDENSATEUR	CNC2 100nF 20% 25V	1		0805	R16		95610012	RESISTANCE	10 KOHMS 5% 1/8W	1		0805
C220		95500022	CONDENSATEUR	CNC2 100nF 20% 25V	1		0805	R17		95610013	RESISTANCE	1 KOHMS 5% 1/8W	1		0805
C221		95500022	CONDENSATEUR	CNC2 100nF 20% 25V	1		0805	R18		95610013	RESISTANCE	1 KOHMS 5% 1/8W	1		0805
C222		95500022	CONDENSATEUR	CNC2 100nF 20% 25V	1		0805	R19		95610012	RESISTANCE	10 KOHMS 5% 1/8W	1		0805
C225		95500022	CONDENSATEUR	CNC2 100nF 20% 25V	1		0805	R20		95610018	RESISTANCE	1,5 KOHMS 5% 1/8W	1		0805
C226		95500022	CONDENSATEUR	CNC2 100nF 20% 25V	1		0805	R21		95610018	RESISTANCE	1,5 KOHMS 5% 1/8W	1		0805
C227		95500022	CONDENSATEUR	CNC2 100nF 20% 25V	1		0805	R22		95610012	RESISTANCE	10 KOHMS 5% 1/8W	1		0805
C228		95500022	CONDENSATEUR	CNC2 100nF 20% 25V	1		0805	R23		95610012	RESISTANCE	10 KOHMS 5% 1/8W	1		0805
C229		95500022	CONDENSATEUR	CNC2 100nF 20% 25V	1		0805	R24		95610012	RESISTANCE	10 KOHMS 5% 1/8W	1		0805
C230		95500022	CONDENSATEUR	CNC2 100nF 20% 25V	1		0805	R25		95610012	RESISTANCE	10 KOHMS 5% 1/8W	1		0805
C231		95500022	CONDENSATEUR	CNC2 100nF 20% 25V	1		0805	R26		95610012	RESISTANCE	10 KOHMS 5% 1/8W	1		0805
C232		95500022	CONDENSATEUR	CNC2 100nF 20% 25V	1		0805	R27		95610012	RESISTANCE	10 KOHMS 5% 1/8W	1		0805
C233		95500022	CONDENSATEUR	CNC2 100nF 20% 25V	1		0805	R28		95610012	RESISTANCE	10 KOHMS 5% 1/8W	1		0805
C234		95500022	CONDENSATEUR	CNC2 100nF 20% 25V	1		0805	R29		95610012	RESISTANCE	10 KOHMS 5% 1/8W	1		0805
C235		95500022	CONDENSATEUR	CNC2 100nF 20% 25V	1		0805	R30		95610014	RESISTANCE	470 OHMS 5% 1/8W	1		0805
C236		95500022	CONDENSATEUR	CNC2 100nF 20% 25V	1										



Pap Plus Board Extended Memory 42.355.278.89

REPERE	IND	COMPOSANT	DESIGNATION	VALEUR	QTE	FABRIQ.	BOITIER	REPERE	IND	COMPOSANT	DESIGNATION	VALEUR	QTE	FABRIQ.	BOITIER
ST20	1s		NEANT		0			U22		00010157	PROGRAMME	"PAPPLUS"	1	ATHEL	DIP32
ST21	1s		NEANT		0			U23		95300179	CIRCUIT INTEGRE	74FCT833B50	1	IDT	SOL24
ST22	1s		NEANT		0			U24		95300194	CIRCUIT INTEGRE	74FCT652CTPY	1	IDT	SSOP24
ST23	1s		NEANT		0			U25		95300194	CIRCUIT INTEGRE	74FCT652CTPY	1	IDT	SSOP24
ST24	1s		NEANT		0			U26		95300194	CIRCUIT INTEGRE	74FCT652CTPY	1	IDT	SSOP24
ST25	1s		NEANT		0			U27		95300194	CIRCUIT INTEGRE	74FCT652CTPY	1	IDT	SSOP24
ST26	1s		NEANT		0			U28		95300194	CIRCUIT INTEGRE	74FCT652CTPY	1	IDT	SSOP24
ST27	1s		NEANT		0			U29		95300193	CIRCUIT INTEGRE	74FCT821CTPY	1	IDT	SSOP24
ST28	1s		NEANT		0			U30		95300193	CIRCUIT INTEGRE	74FCT821CTPY	1	IDT	SSOP24
SW1	1m	94420301	REPART MINI WRAP	381-0435-1-20-50-0	0.10	COMATEL		U31		95300193	CIRCUIT INTEGRE	74FCT821CTPY	1	IDT	SSOP24
SW2		94453003	POUSSOIR	9233WVCD	1	APR		U32		95300193	CIRCUIT INTEGRE	74FCT821CTPY	1	IDT	SSOP24
TP1		94450009	REPART MINI WRAP	385-0358-1-40-40-0	.025	COMATEL		U33		95300193	CIRCUIT INTEGRE	74FCT821CTPY	1	IDT	SSOP24
TP2		94450009	REPART MINI WRAP	385-0358-1-40-40-0	.025	COMATEL		U34		95360202	CIRCUIT INTEGRE	PAL16R4-7	1		DIP20
TP3		94450009	REPART MINI WRAP	385-0358-1-40-40-0	.025	COMATEL		U34		00010041	PROGRAMME	"SONNR"	1		
TP4		94450009	REPART MINI WRAP	385-0358-1-40-40-0	.025	COMATEL		U35		95360202	CIRCUIT INTEGRE	PAL16R4-7	1		DIP20
TP5		94450009	REPART MINI WRAP	385-0358-1-40-40-0	.025	COMATEL		U35		00010042	PROGRAMME	"SONNR"	1		
TP6		94450009	REPART MINI WRAP	385-0358-1-40-40-0	.025	COMATEL		U36		95300213	CIRCUIT INTEGRE	PC74HCT157T	1	PHILIPS	SO16
TP7		94450009	REPART MINI WRAP	385-0358-1-40-40-0	.025	COMATEL		U37		95300214	CIRCUIT INTEGRE	74F005C	1	NATIONAL	SO14
TP8		94450009	REPART MINI WRAP	385-0358-1-40-40-0	.025	COMATEL		U38		95300192	CIRCUIT INTEGRE	74FCT245CTPY	1	IDT	SSOP20
TP9		94450009	REPART MINI WRAP	385-0358-1-40-40-0	.025	COMATEL		U39		95300215	CIRCUIT INTEGRE	PC74HCT85T	1	PHILIPS	SO16
TP10		94450009	REPART MINI WRAP	385-0358-1-40-40-0	.025	COMATEL		U40		95300194	CIRCUIT INTEGRE	74FCT652CTPY	1	IDT	SSOP24
TP11	3m	94450009	BARRETTE MINI WRAP	385-0358-1-40-40-0	.025	COMATEL		U41		95300179	CIRCUIT INTEGRE	74FCT833B50	1	IDT	SOL24
TP12	1m	94420301	REPART MINI WRAP	381-0435-1-20-50-0	0.10	COMATEL		U42		95300208	CIRCUIT INTEGRE	74ACT085C	1	NATIONAL	SO14
TP13	3s	94320085	BARRETTE MAL 11Pts	AM10-127-20-6,3-T	0	ANTELEC		U43		95300216	CIRCUIT INTEGRE	DS26C32ACM	1	NATIONAL	SO16
TP14	3s	94320085	BARRETTE MAL 11Pts	AM10-127-20-6,3-T	0	ANTELEC		U44	3m		CIRCUIT INTEGRE	DSPS6002-FC66	1	MOTOROLA	POFP132
TP15	3s	94320085	BARRETTE MAL 11Pts	AM10-127-20-6,3-T	0	ANTELEC		U45		95300184	CIRCUIT INTEGRE	7130-LA20J	1	IDT	PLCC52
TP16	3s	94320085	BARRETTE MAL 11Pts	AM10-127-20-6,3-T	0	ANTELEC		U46		95161075	CIRCUIT INTEGRE	5082-1730	1	HEWLETT	DIP14
TP17	3s	94320085	BARRETTE MAL 11Pts	AM10-127-20-6,3-T	0	ANTELEC		U47		95300184	CIRCUIT INTEGRE	7130-LA20J	1	IDT	PLCC52
TP18	3s	94320085	BARRETTE MAL 11Pts	AM10-127-20-6,3-T	0	ANTELEC		U48	3m		CIRCUIT INTEGRE	XC4003A-5 PQ100C	1	XILINX	POFP100
TP19	3s	94320085	BARRETTE MAL 11Pts	AM10-127-20-6,3-T	0	ANTELEC		U49		95300192	CIRCUIT INTEGRE	74FCT245CTPY	1	IDT	SSOP20
TP20	3s	94320085	BARRETTE MAL 11Pts	AM10-127-20-6,3-T	0	ANTELEC		U50		95300184	CIRCUIT INTEGRE	7130-LA20J	1	IDT	PLCC52
TP21	3s	94320085	BARRETTE MAL 11Pts	AM10-127-20-6,3-T	0	ANTELEC		U51		95300207	CIRCUIT INTEGRE	PC74HCT157T	1	PHILIPS	SO16
TP22		94450009	REPART MINI WRAP	385-0358-1-40-40-0	.025	COMATEL		U52		95300217	CIRCUIT INTEGRE	PALCE610H-15PC	1	AMD	DIP24 Et
TP23		94450009	REPART MINI WRAP	385-0358-1-40-40-0	.025	COMATEL		U52		00010148	PROGRAMME	"FEPP"	1		
TP24		94450009	REPART MINI WRAP	385-0358-1-40-40-0	.025	COMATEL		U53		95300192	CIRCUIT INTEGRE	74FCT245CTPY	1	IDT	SSOP20
TP25	3s	94320085	BARRETTE MAL 11Pts	AM10-127-20-6,3-T	0	ANTELEC		U54		95300192	CIRCUIT INTEGRE	74FCT245CTPY	1	IDT	SSOP20
TP26	3s	94320085	BARRETTE MAL 11Pts	AM10-127-20-6,3-T	0	ANTELEC		U55		95300191	CIRCUIT INTEGRE	74FCT244CTPY	1	IDT	SSOP20
TP27		94450009	REPART MINI WRAP	385-0358-1-40-40-0	.025	COMATEL		U56		95300218	CIRCUIT INTEGRE	74060	1	RTC	SO14
TP28		94450009	REPART MINI WRAP	385-0358-1-40-40-0	.025	COMATEL		U57		95360208	CIRCUIT INTEGRE	PALCE22V100-25PC	1	AMD	DIP24 Et
TP29	3s	94320085	BARRETTE MAL 4Pts	AM10-127-20-6,3-T	0	ANTELEC		U57		00010131	PROGRAMME	"SRQMD"	1		
TP30	3s	94320085	BARRETTE MAL 8Pts	AM10-127-20-6,3-T	0	ANTELEC		U58		95300093	CIRCUIT INTEGRE	PALCE22V10H-15PC	1	AMD	DIP24 Et
TP31	1m	94320085	BARRETTE MAL 11Pts	AM10-127-20-6,3-T	0.55	ANTELEC		U58		00010154	PROGRAMME	"PAPAPP"	1		
TP32	3s	94320085	BARRETTE MAL 8Pts	AM10-127-20-6,3-T	0	ANTELEC		U59		95300191	CIRCUIT INTEGRE	74FCT244CTPY	1	IDT	SSOP20
TP33	3s	94320085	BARRETTE MAL 5Pts	AM10-127-20-6,3-T	0	ANTELEC		U60		95300191	CIRCUIT INTEGRE	74FCT244CTPY	1	IDT	SSOP20
TP34	1m	94320085	BARRETTE MAL 11Pts	AM10-127-20-6,3-T	0.55	ANTELEC		U61		95300192	CIRCUIT INTEGRE	74FCT245CTPY	1	IDT	SSOP20
TP35	1m	94320085	BARRETTE MAL 8Pts	AM10-127-20-6,3-T	0.4	ANTELEC		U62		95300191	CIRCUIT INTEGRE	74FCT244CTPY	1	IDT	SSOP20
TP36		94450009	REPART MINI WRAP	385-0358-1-40-40-0	.025	COMATEL		U63	3m		CIRCUIT INTEGRE	XC4005-5PQ160C	1	XILINX	POFP160
TP37		94320085	BARRETTE FEM 6Pts	AM10-127-20-6,3-T	0.3	ANTELEC		U64	3m		CIRCUIT INTEGRE	XC4005-5PQ160C	1	XILINX	POFP160
TP38		94320085	BARRETTE MAL 3Pts	AM10-127-20-6,3-T	0.15	ANTELEC		U65	3m		CIRCUIT INTEGRE	XC4010-5M0208C	1	XILINX	POFP208
TP39		94450009	REPART MINI WRAP	385-0358-1-40-40-0	.025	COMATEL		U66	3m		CIRCUIT INTEGRE	DSPS6004-FJ50	1	MOTOROLA	POFP80
TP40		94450009	REPART MINI WRAP	385-0358-1-40-40-0	.025	COMATEL		U67	3m		CIRCUIT INTEGRE	DSPS6004-FJ50	1	MOTOROLA	POFP80
TP41		94450009	REPART MINI WRAP	385-0358-1-40-40-0	.025	COMATEL		U68	3m		CIRCUIT INTEGRE	DSPS6004-FJ50	1	MOTOROLA	POFP80
TP42	1s		NEANT					U69	3m		CIRCUIT INTEGRE	DSPS6004-FJ50	1	MOTOROLA	POFP80
TP43		94320085	BARRETTE MAL 3Pts	AM10-127-20-6,3-T	0.15	ANTELEC		U70	3m		CIRCUIT INTEGRE	DSPS6004-FJ50	1	MOTOROLA	POFP80
TP44		94320085	BARRETTE MAL 4Pts	AM10-127-20-6,3-T	0.2	ANTELEC		U71		95300208	CIRCUIT INTEGRE	74ACT085C	1	NATIONAL	SO14
TP45	3s	94320085	BARRETTE MAL 6Pts	AM10-127-20-6,3-T	0	ANTELEC		U72		95300192	CIRCUIT INTEGRE	74FCT245CTPY	1	IDT	SSOP20
TP46	1m	94420301	REPART MINI WRAP	381-0435-1-20-50-0	0.10	COMATEL		U73		95300192	CIRCUIT INTEGRE	74FCT245CTPY	1	IDT	SSOP20
TP47		94450009	REPART MINI WRAP	385-0358-1-40-40-0	.025	COMATEL		U74		95300194	CIRCUIT INTEGRE	74FCT652CTPY	1	IDT	SSOP24
TP48	1s		NEANT					U75		95300194	CIRCUIT INTEGRE	74FCT652CTPY	1	IDT	SSOP24
TP49	1a	94450009	REPART MINI WRAP	385-0358-1-40-40-0	.025	COMATEL		U76		95300192	CIRCUIT INTEGRE	74FCT245CTPY	1	IDT	SSOP20
TP50	1a	94450009	REPART MINI WRAP	385-0358-1-40-40-0	.025	COMATEL		U77		95300192	CIRCUIT INTEGRE	74FCT245CTPY	1	IDT	SSOP20
TP51	1a	94450009	REPART MINI WRAP	385-0358-1-40-40-0	.025	COMATEL		U78		95300219	CIRCUIT INTEGRE	MAX697CWE	1	MAXIM	SOL16
TP52	1a	94450009	REPART MINI WRAP	385-0358-1-40-40-0	.025	COMATEL		U79		95300220	CIRCUIT INTEGRE	MAX232ACSE	1	MAXIM	SO16
TP53	1a	94450009	REPART MINI WRAP	385-0358-1-40-40-0	.025	COMATEL		U80		95340006	CIRCUIT INTEGRE	75174	1		DIP16
U1	3m		CIRCUIT INTEGRE	DSPS6002-FC66	1	MOTOROLA	POFP132	U81	3m		CIRCUIT INTEGRE	DSPS6004-FJ50	1	MOTOROLA	POFP80
U2		95300206	CIRCUIT INTEGRE	PAL16L8-5JC	1	AMD	PLCC20	U82	3m		CIRCUIT INTEGRE	DSPS6004-FJ50	1	MOTOROLA	POFP80
U2		00010155	PROGRAMME	"CELEXPP"	1			U83	3m		CIRCUIT INTEGRE	DSPS6004-FJ50	1	MOTOROLA	POFP80
U3		95300184	CIRCUIT INTEGRE	7130-LA20J	1	IDT	PLCC52	U84	3m		CIRCUIT INTEGRE	XC4005-5PQ160C	1	XILINX	POFP160
U4		95300184	CIRCUIT INTEGRE	7130-LA20J	1	IDT	PLCC52	U85		95300191	CIRCUIT INTEGRE	74FCT244CTPY	1	IDT	SSOP20
U5	3m		CIRCUIT INTEGRE	XC4003A-5 PQ100C	1	XILINX	POFP100	U86		95300207	CIRCUIT INTEGRE	PC74HCT157T	1	PHILIPS	SO16
U6		95300207	CIRCUIT INTEGRE	PC74HCT157T	1	PHILIPS	SO16	U87		95300207	CIRCUIT INTEGRE	PC74HCT157T	1	PHILIPS	SO16
U7		95300184	CIRCUIT INTEGRE	7130-LA20J	1	IDT	PLCC52	U88		95300208	CIRCUIT INTEGRE	74ACT085C	1	NATIONAL	SO14
U8		95300208	CIRCUIT INTEGRE	74ACT085C	1	NATIONAL	SO14	U89		95300191	CIRCUIT INTEGRE	74FCT244CTPY	1	IDT	SSOP20
U9	3m		CIRCUIT INTEGRE	DSPS6002-FC66	1	MOTOROLA	POFP132	U90		95300191	CIRCUIT INTEGRE	74FCT244CTPY	1	IDT	SSOP20
U10		95300184	CIRCUIT INTEGRE	7130-LA20J	1	IDT	PLCC52	U91		95300196	CIRCUIT INTEGRE	74FCT16823CTPV	1	IDT	SSOP56
U11		95300184	CIRCUIT INTEGRE	7130-LA20J	1	IDT	PLCC52	U92		95300196	CIRCUIT INTEGRE	74FCT16823CTPV	1	IDT	SSOP56
U12	3m		CIRCUIT INTEGRE	XC4003A-5 PQ100C	1	XILINX	POFP100	U93		95300191	CIRCUIT INTEGRE	74FCT244CTPY	1	IDT	SSOP20
U13		95300184	CIRCUIT INTEGRE	7130-LA20J	1	IDT	PLCC52	U94		95300192	CIRCUIT INTEGRE	74FCT245CTPY	1	IDT	SSOP20
U14		95300207	CIRCUIT INTEGRE	PC74HCT157T	1	PHILIPS	SO16	U95		95300184	CIRCUIT INTEGRE	7130-LA20J	1	IDT	PLCC52
U15		95300179	CIRCUIT INTEGRE	74FCT833B50	1	IDT	SOL24	U96		95300184	CIRCUIT INTEGRE	7130-LA20J	1	IDT	PLCC52
U16		95300179	CIRCUIT INTEGRE	74FCT833B50	1	IDT	SOL24	U97		95300184	CIRCUIT INTEGRE	7130-LA20J	1	IDT	PLCC52
U17		95300209	CIRCUIT INTEGRE	DS10002-60	1	DALLAS	SO8	U98	3m		CIRCUIT INTEGRE	DSPS6002-FC66	1	MOTOROLA	POFP132
U18		95300210	CIRCUIT INTEGRE	74ABT244	1	TEXAS	DIP20	U99		95300184	CIRCUIT INTEGRE	7130-LA20J	1	IDT	PLCC52
U19		95300													

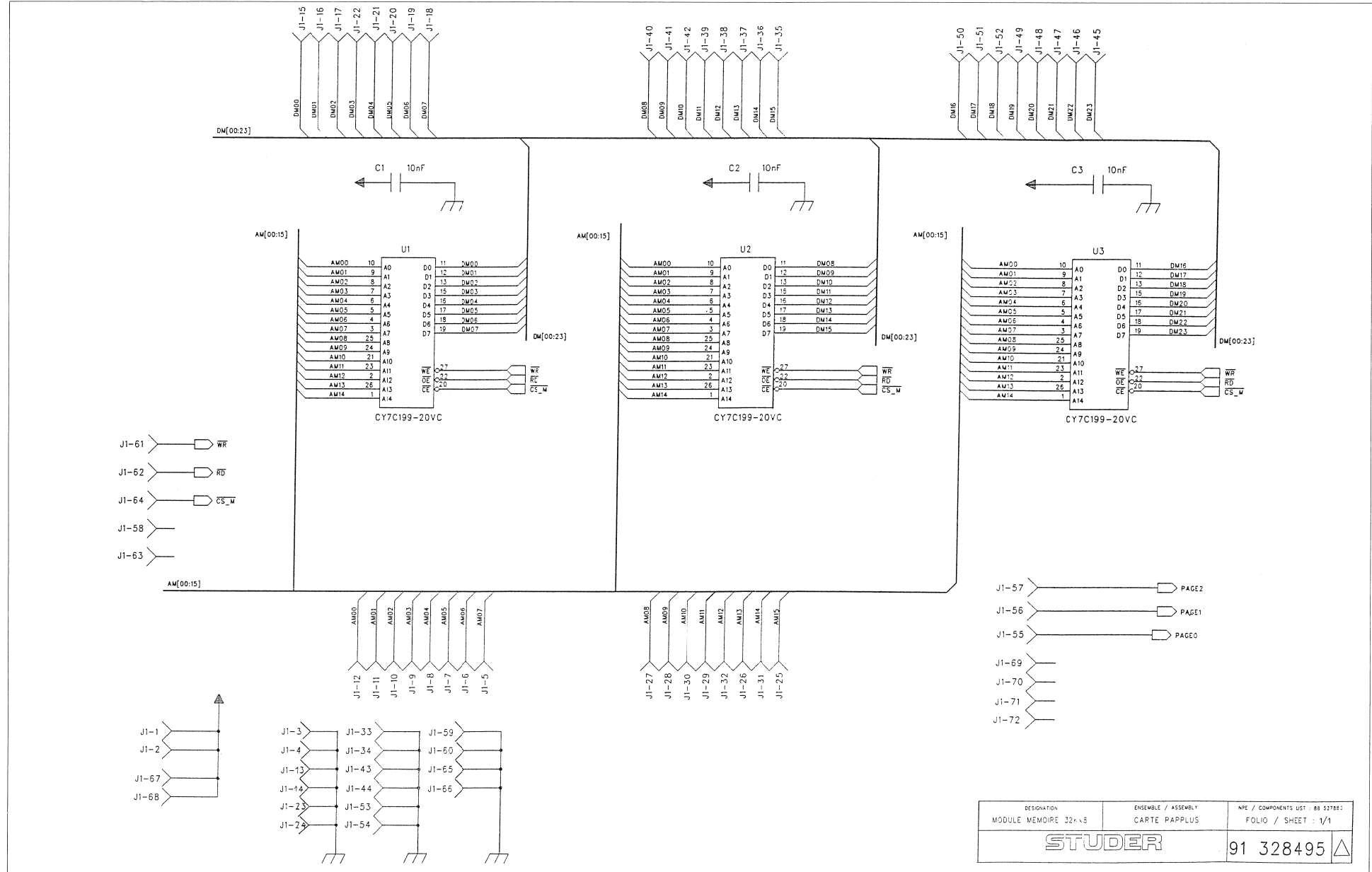


Pap Plus Board Extended Memory 42.355.278.89

REPERE	IND	COMPOSANT	DESIGNATION	VALEUR	QTE	FABRICO.	BOITIER
U105		95300206	CIRCUIT INTEGRE	PAL16L8-5JC	1	AMD	PLCC20
U105		00010155	PROGRAMME	"CELXPP"	1		
U106		95300194	CIRCUIT INTEGRE	74FCT652CTPY	1	IDT	SSOP24
U107		95300192	CIRCUIT INTEGRE	74FCT245CTPY	1	IDT	SSOP20
U108	3m		CIRCUIT INTEGRE	DSP56002-FC66	1	MOTOROLA	POFP132
U109		95300184	CIRCUIT INTEGRE	7130-LA20J	1	IDT	PLCC52
U110		95300184	CIRCUIT INTEGRE	7130-LA20J	1	IDT	PLCC52
U111	3m		CIRCUIT INTEGRE	XC4003A-5PQ100C	1	XILINX	POFP100
U112		95300184	CIRCUIT INTEGRE	7130-LA20J	1	IDT	PLCC52
U113		95300206	CIRCUIT INTEGRE	PAL16L8-5JC	1	AMD	PLCC20
U113		00010155	PROGRAMME	"CELXPP"	1		
U114	3m		CIRCUIT INTEGRE	DSP56002-FC66	1	MOTOROLA	POFP132
U115		95300184	CIRCUIT INTEGRE	7130-LA20J	1	IDT	PLCC52
U116		95300184	CIRCUIT INTEGRE	7130-LA20J	1	IDT	PLCC52
U117	3m		CIRCUIT INTEGRE	XC4003A-5PQ100C	1	XILINX	POFP100
U118		95300184	CIRCUIT INTEGRE	7130-LA20J	1	IDT	PLCC52
U119		95300207	CIRCUIT INTEGRE	PC74HCT157T	1	PHILLIPS	SO16
U120		95300207	CIRCUIT INTEGRE	PC74HCT157T	1	PHILLIPS	SO16
U121		95300208	CIRCUIT INTEGRE	74ACT08SC	1	NATIONAL	SO14
U122	3m		CIRCUIT INTEGRE	DSP56002-FC66	1	MOTOROLA	POFP132
U123		95300184	CIRCUIT INTEGRE	7130-LA20J	1	IDT	PLCC52
U124		95300184	CIRCUIT INTEGRE	7130-LA20J	1	IDT	PLCC52
U125	3m		CIRCUIT INTEGRE	XC4003A-5PQ100C	1	XILINX	POFP100
U126		95300184	CIRCUIT INTEGRE	7130-LA20J	1	IDT	PLCC52
U127		95300206	CIRCUIT INTEGRE	PAL16L8-5JC	1	AMD	PLCC20
U127		00010155	PROGRAMME	"CELXPP"	1		
U128	3m		CIRCUIT INTEGRE	DSP56002-FC66	1	MOTOROLA	POFP132
U129		95300184	CIRCUIT INTEGRE	7130-LA20J	1	IDT	PLCC52
U130		95300184	CIRCUIT INTEGRE	7130-LA20J	1	IDT	PLCC52
U131	3m		CIRCUIT INTEGRE	XC4003A-5PQ100C	1	XILINX	POFP100
U132		95300184	CIRCUIT INTEGRE	7130-LA20J	1	IDT	PLCC52
U133		95300207	CIRCUIT INTEGRE	PC74HCT157T	1	PHILLIPS	SO16
U134		95300207	CIRCUIT INTEGRE	PC74HCT157T	1	PHILLIPS	SO16
U135		95300208	CIRCUIT INTEGRE	74ACT08SC	1	NATIONAL	SO14
U136		95300182	CIRCUIT INTEGRE	DSP56002-FC40	1	MOTOROLA	POFP132
U137		95300184	CIRCUIT INTEGRE	7130-LA20J	1	IDT	PLCC52
U138		95300184	CIRCUIT INTEGRE	7130-LA20J	1	IDT	PLCC52
U139	3m		CIRCUIT INTEGRE	XC4003A-5PQ100C	1	XILINX	POFP100
U140		95300184	CIRCUIT INTEGRE	7130-LA20J	1	IDT	PLCC52
U141		95300206	CIRCUIT INTEGRE	PAL16L8-5JC	1	AMD	PLCC20
U141		00010155	PROGRAMME	"CELXPP"	1		
U142	3m		CIRCUIT INTEGRE	DSP56002-FC66	1	MOTOROLA	POFP132
U143		95300184	CIRCUIT INTEGRE	7130-LA20J	1	IDT	PLCC52
U144		95300184	CIRCUIT INTEGRE	7130-LA20J	1	IDT	PLCC52
U145	3m		CIRCUIT INTEGRE	XC4003A-5PQ100C	1	XILINX	POFP100
U146		95300184	CIRCUIT INTEGRE	7130-LA20J	1	IDT	PLCC52
U147		95300207	CIRCUIT INTEGRE	PC74HCT157T	1	PHILLIPS	SO16
U148		95300207	CIRCUIT INTEGRE	PC74HCT157T	1	PHILLIPS	SO16
U149		95300208	CIRCUIT INTEGRE	74ACT08SC	1	NATIONAL	SO14
U150		95300221	CIRCUIT INTEGRE	PAL22V10-5	1	AMD	DIP24 Et
U150		00010156	PROGRAMME	"CEL9PP"	1		
U151		95300208	CIRCUIT INTEGRE	74ACT08SC	1	NATIONAL	SO14
U152		95300208	CIRCUIT INTEGRE	74ACT08SC	1	NATIONAL	SO14
U153		95300208	CIRCUIT INTEGRE	74ACT08SC	1	NATIONAL	SO14
U154		95300208	CIRCUIT INTEGRE	74ACT08SC	1	NATIONAL	SO14
U155		95300208	CIRCUIT INTEGRE	74ACT08SC	1	NATIONAL	SO14
U156		95300208	CIRCUIT INTEGRE	74ACT08SC	1	NATIONAL	SO14
U157		95300192	CIRCUIT INTEGRE	74FCT245CTPY	1	IDT	SSOP20
U158		95300192	CIRCUIT INTEGRE	74FCT245CTPY	1	IDT	SSOP20
U159		95300214	CIRCUIT INTEGRE	74F00SC	1	NATIONAL	SO14
U160		95300208	CIRCUIT INTEGRE	74ACT08SC	1	NATIONAL	SO14
USR1		94530081	ROUE CODEUSE	422066	1	HOPT-SHU	
X1		98230043	POIGNEE EXTRACTEUR	HAUTE REF:131177	0.1	SEEM	
X2		98230044	POIGNEE EXTRACTEUR	BASSE REF:131178	0.1	SEEM	
X3		97612205	VIS V126	CBL M2,5 x 8	2		
X4		97612202	VIS V126	CBL M2,5 x 5	2		
X5		97613203	VIS V106	F/90 M2,5 x 6	2		
X6	1s		NEANT		0		
X7		98230045	OEUillet + VIS	REF:492959	0.02	SEEM	
X8		94330007	SUPPORT LED	AST 0035-9660	2	SHURTER	
X9	1s		NEANT		0		
X10		97880003	ENTRETOISE EXALIS 4	LONGUEUR 5	6	ACCEL	
X11		94480023	VERROUILLAGE FEMELLE	8630-01-060	4	SOURIAU	
X12		94336008	SUPPORT 14Pts COUDE	A14-LED-H	1	ANTELEC	
X13		94480044	SUPPORT CI 4Pts(14)	110-91-314-10-001	2	PRECI-DI	
X14		94480303	SUPPORT CI 16Pts	T401-16	1		
X15		94480305	SUPPORT CI 20Pts	T401-20	3		
X16		94480313	SUPPORT CI 24Pts Etr	T401-24 Etroit	4		
X17		94483000	SUPPORT CI 32Pts	T401-32	2		
X18		94480045	SUPPORT PLCC 20Pts	SCC20T	5	ANTELEC	
X19	1s		NEANT		0		
X20	2a	88527880	CARTE MODULE 32K		4		
X21	2a	88527881	CARTE MODULE 128K		1		



Pap Plus Board Extended Memory 32k x 8 42.355.278.81



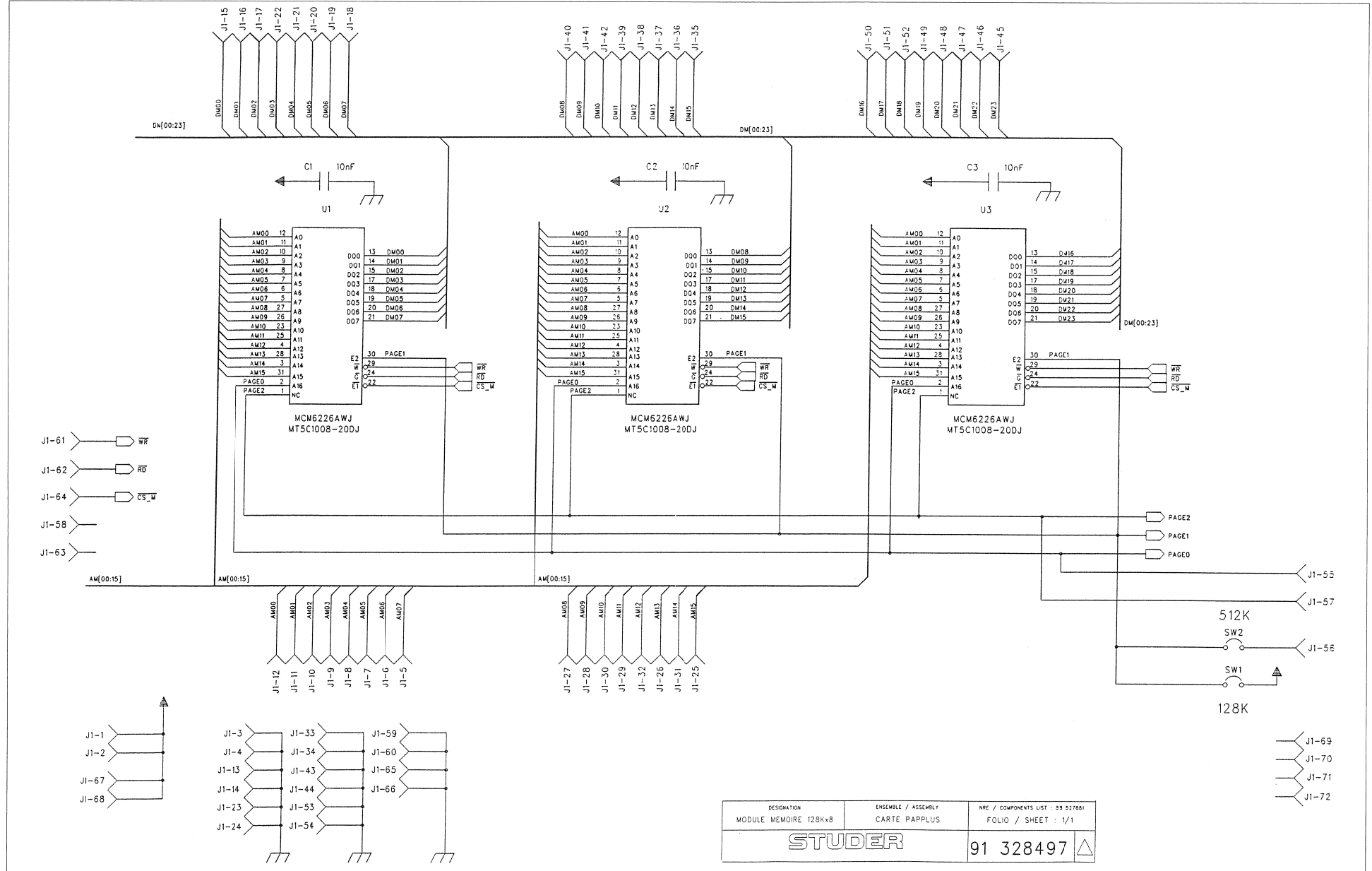


Pap Plus Board Extended Memory 32k x 8 42.355.278.81

MODIF.: IND. X=ajout - IND. X=modif. ref. et/ou valeur - IND. X=suppression						
REPERE	IND	COMPOSANT	DESIGNATION	VALEUR	QTE	FABRIQ. BOITIER
A1		91328495	SCHEMA		1	
A2		91830851	FILM CIRCUIT		1	
A3		30830851	TEST DE CONFORMITE		1	
A4		91830852	FILM DE SERIGRAPHIE		1	
A5		91830853	FILM EPARGNE SOUDURE		1	
A6		91830854	FILM PATE A BRASER		1	
A7		30830854	ECRAN PATE A BRASER		1	
A8		91328496	PLAN DE FABRICATION		1	
A9		30328496	OUTIL DE FABRICATION		1	
A10		91815505	ETIQUETTE REPERE CONNECTEUR		1	
C1		95500020	CONDENSATEUR X7R 10nF 20%		1	0805
C2		95500020	CONDENSATEUR X7R 10nF 20%		1	0805
C3		95500020	CONDENSATEUR X7R 10nF 20%		1	0805
U1		95300189	CIRCUIT INTEGRE	Cf7C199-20VC	1	CYPRESS SOJ28
U2		95300189	CIRCUIT INTEGRE	Cf7C199-20VC	1	CYPRESS SOJ28
U3		95300189	CIRCUIT INTEGRE	Cf7C199-20VC	1	CYPRESS SOJ28



Pap Plus Board Extended Memory 128k x 8 42.355.278.80



DESIGNATION MODULE MEMOIRE 128Kx8	ENSEMBLE / ASSEMBLY CARTE PAPPLUS	NRE / COMPONENTS LIST : 39 527801 FOLIO / SHEET : 1/1
STUDER		91 328497



Pap Plus Board Extended Memory 128k x 8 42.355.278.80

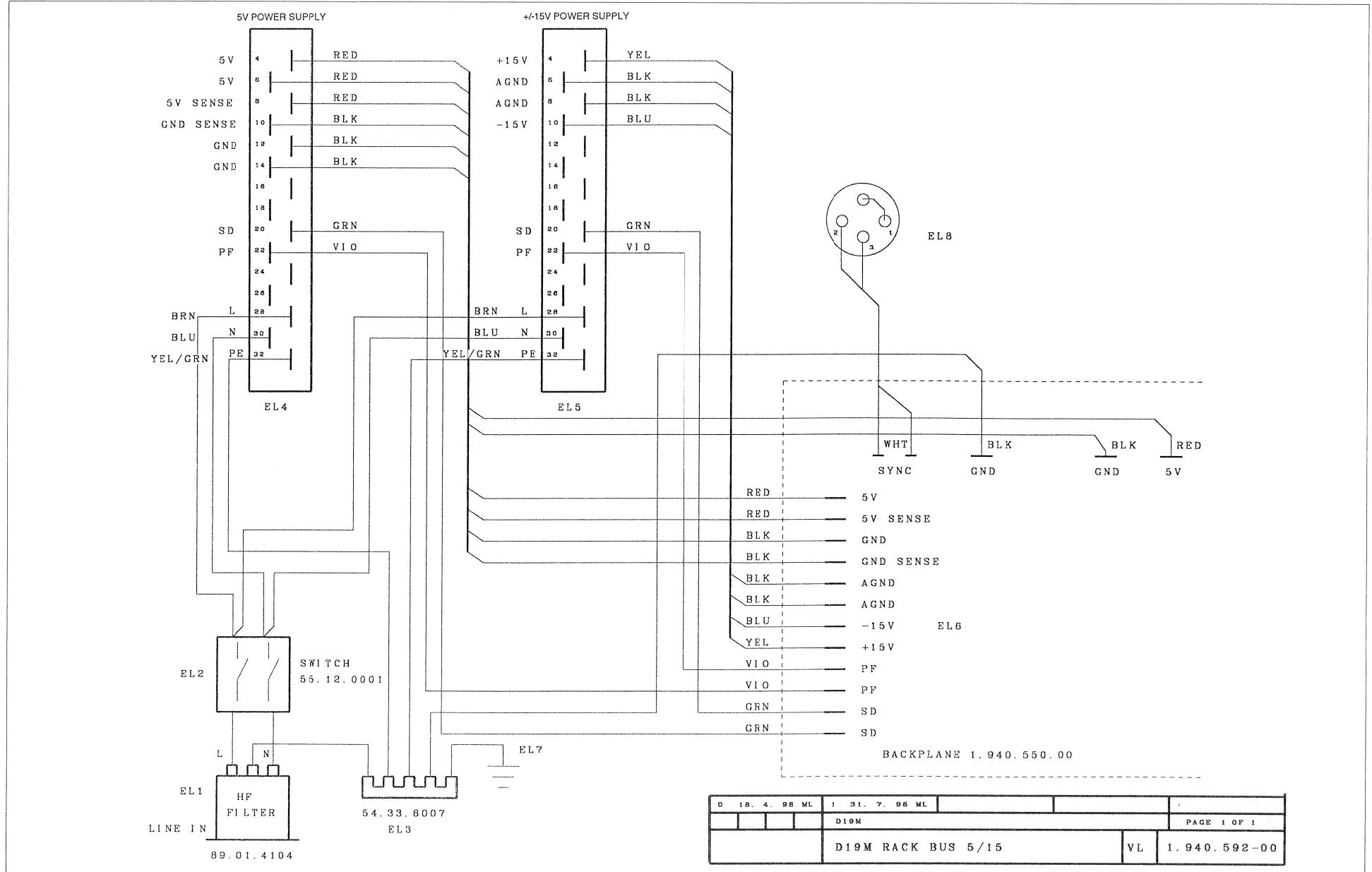
MODIF.: IND. Xa=ajout - IND. Xm=modif. ref. et/ou valeur - IND. Xs=suppression						
REPERE	IND	COMPOSANT	DESIGNATION	VALEUR	QTE	FABRIG. BOITIER

A1		91328497	SCHEMA		1	
A2		91830855	FILM CIRCUIT		1	
A3		30830855	TEST DE CONFORMITE		1	
A4		91830856	FILM DE SERIGRAPHIE		1	
A5		91830857	FILM EPARGNE SOLDERE		1	
A6		91830858	FILM PATE A BRASER		1	
A7		30830858	ECRAN PATE A BRASER		1	
A8		91328498	PLAN DE FABRICATION		1	
A9		30328498	OUTIL DE FABRICATION		1	
A10		91815505	ETIQUETTE REPERE CONNECTEUR		1	
C1		95500020	CONDENSATEUR X7R	10nF 20%	1	0805
C2		95500020	CONDENSATEUR X7R	10nF 20%	1	0805
C3		95500020	CONDENSATEUR X7R	10nF 20%	1	0805
U1		95100190	CIRCUIT INTEGRE	NT5C1008-20DJ	1	MICRON SOJ32
U2		95100190	CIRCUIT INTEGRE	NT5C1008-20DJ	1	MICRON SOJ32
U3		95100190	CIRCUIT INTEGRE	NT5C1008-20DJ	1	MICRON SOJ32

SCHEMATA / CIRCUIT DIAGRAMS

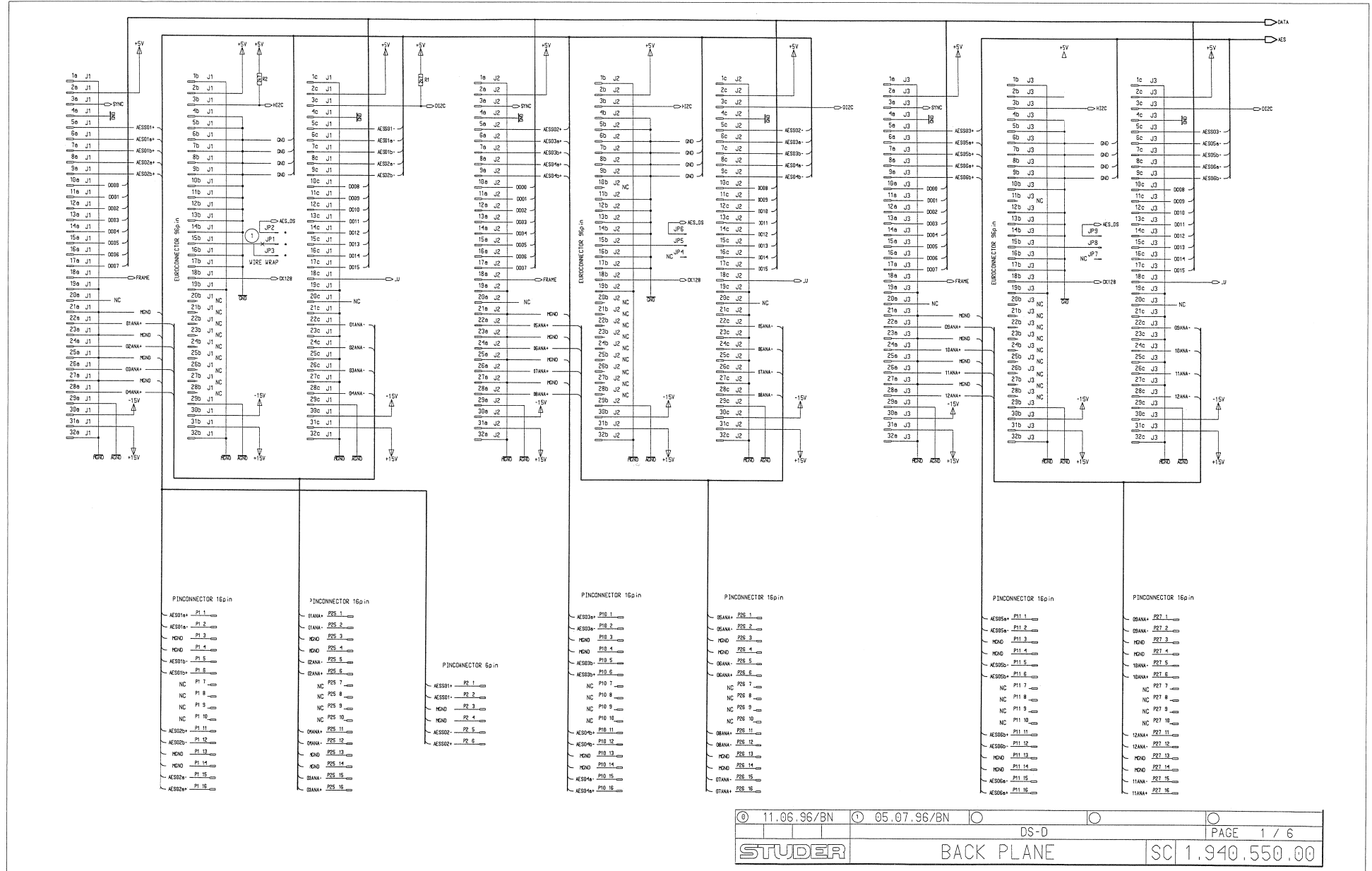
D19 M Rack Bus 5/15	1.940.592.00
Back Plane	1.940.550.00
Power Supply 5V/20A	1.940.601.00
Power Supply $\pm 15V/3.4A$	1.940.602.00

D19M Rack Bus 5/15 1.940.592.00

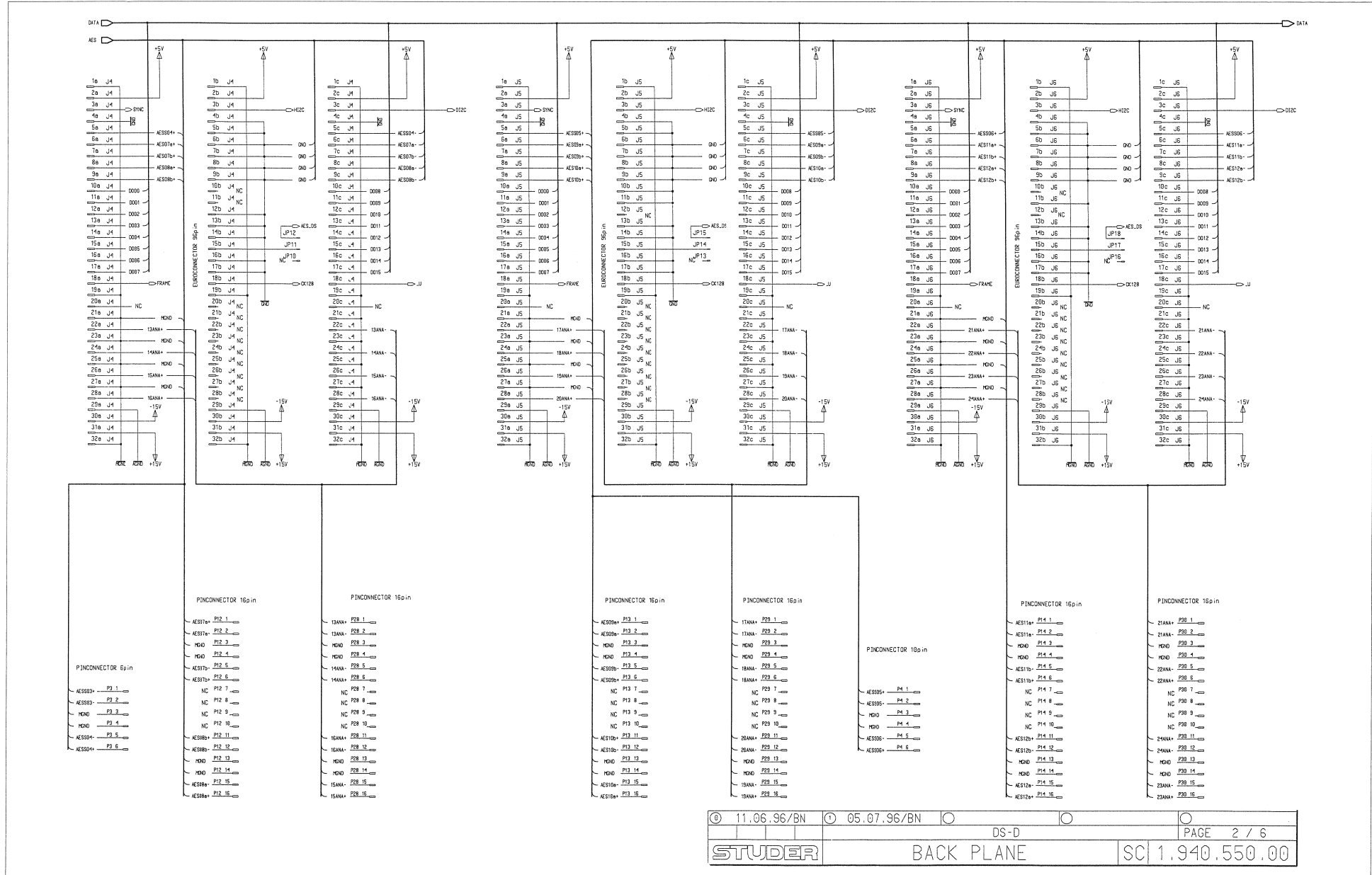


0	18. 4. 98 ML	1	31. 7. 98 ML		
D19M				PAGE 1 OF 1	
D19M RACK BUS 5/15				VL	1.940.592-00

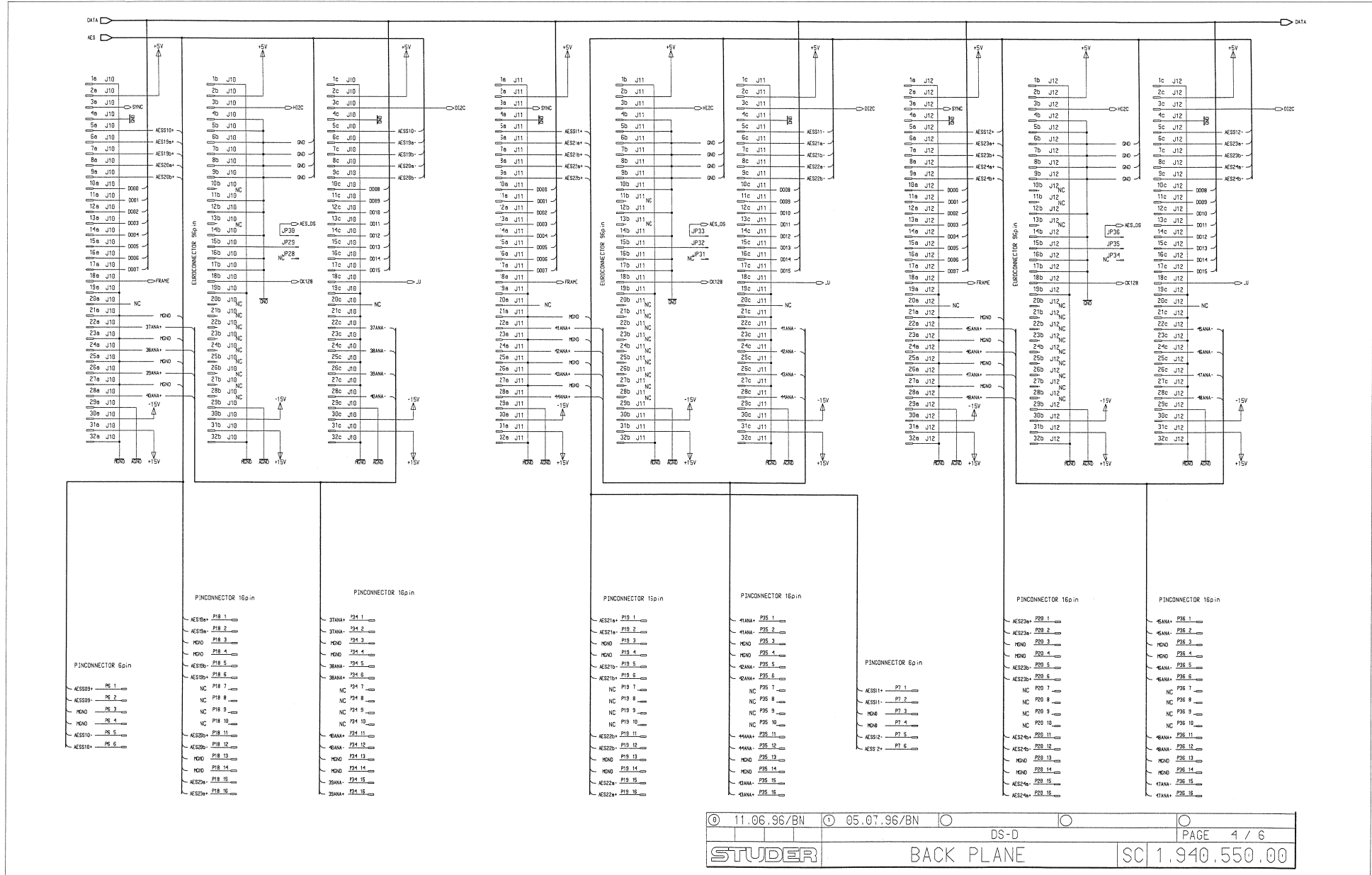
Back Plane I.940.550.00



Back Plane 1.940.550.00

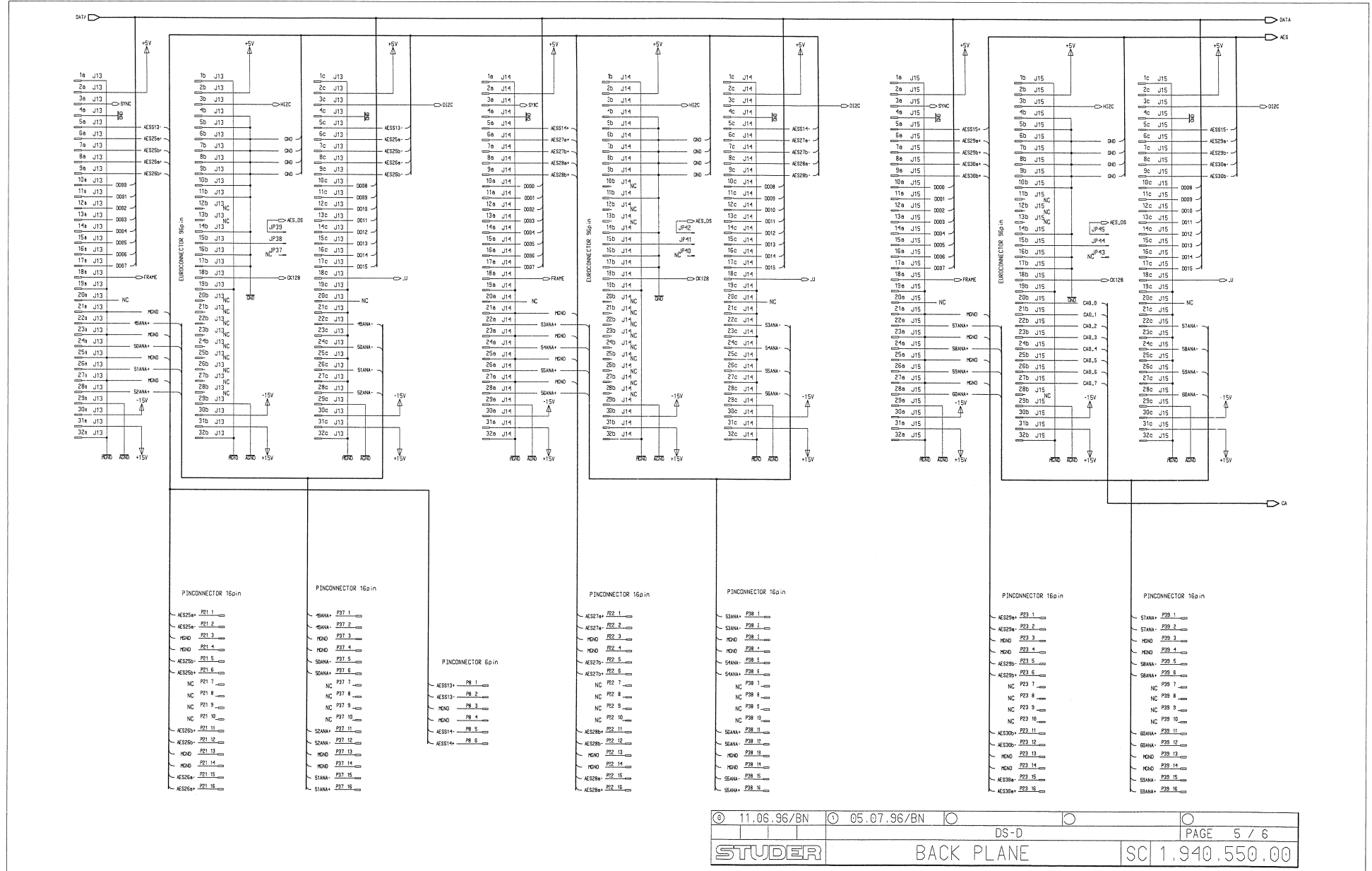


Back Plane 1.940.550.00

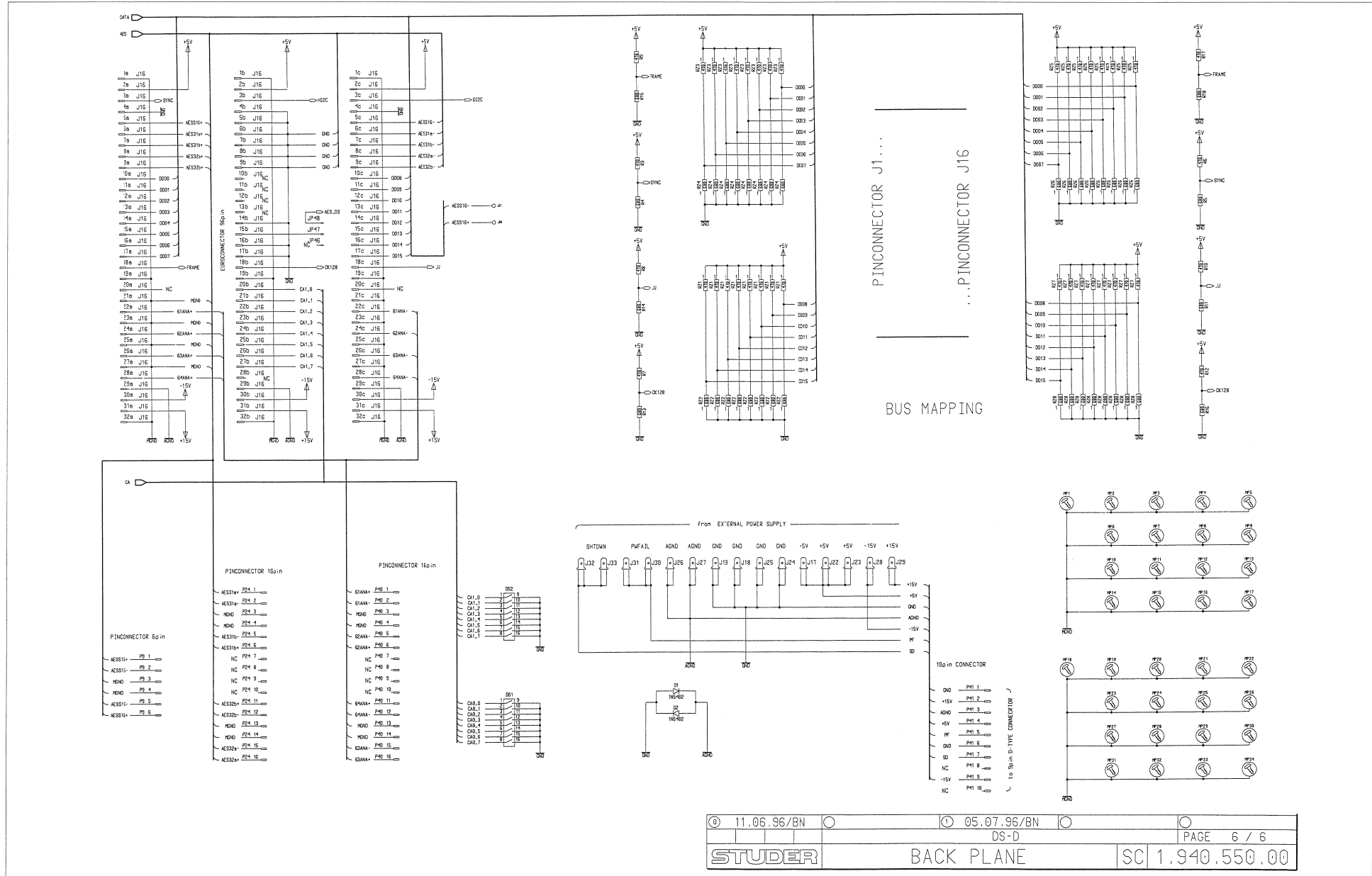


11.06.96/BN	05.07.96/BN	DS-D	PAGE 4 / 6
STUDER		BACK PLANE	SC 1.940.550.00

Back Plane 1.940.550.00



Back Plane 1.940.550.00



© 11.06.96/BN	05.07.96/BN	PAGE 6 / 6
DS-D		
STUDER		BACK PLANE
		SC 1.940.550.00

Back Plane 1.940.550.00

Idx.	Pos.	Part No.	Qty.	Type/Val.	Description	Idx.	Pos.	Part No.	Qty.	Type/Val.	Description	Idx.	Pos.	Part No.	Qty.	Type/Val.	Description
0	D 1	50.04.0507		1N5402	D 1 N 5402,	0	JP 42	54.01.0020	1-P	P STIFT .63*.63, H=5.8/3.4	0	R 13	57.10.1881		680R	MF, 1%, 0204	
0	D 2	50.04.0507		1N5402	D 1 N 5402,	0	JP 43	54.01.0020	1-P	P STIFT .63*.63, H=5.8/3.4	0	R 14	57.10.1881		680R	MF, 1%, 0204	
0	DS 1	55.01.0188		8*a	SZ .8*a, DIL	0	JP 44	54.01.0020	1-P	P STIFT .63*.63, H=5.8/3.4	0	R 15	57.10.1881		680R	MF, 1%, 0204	
0	DS 2	55.01.0188		8*a	SZ .8*a, DIL	0	JP 45	54.01.0020	1-P	P STIFT .63*.63, H=5.8/3.4	0	R 16	57.10.1881		680R	MF, 1%, 0204	
0	J 1	1.940.550.01			MESSERLEISTE 96 pol DIN 41812	0	JP 46	54.01.0020	1-P	P STIFT .63*.63, H=5.8/3.4	0	R 17	57.10.1471		470R	MF, 1%, 0204	
0	J 2	1.940.550.01			MESSERLEISTE 96 pol DIN 41812	0	JP 47	54.01.0020	1-P	P STIFT .63*.63, H=5.8/3.4	0	R 18	57.10.1881		680R	MF, 1%, 0204	
0	J 3	1.940.550.01			MESSERLEISTE 96 pol DIN 41812	0	MP 1	1.940.550.11		BACK PLANE PCB	0	RZ 1	57.88.4471	470.		RZ 8 * 470 , 2%, SIP 9	
0	J 4	1.940.550.01			MESSERLEISTE 96 pol DIN 41812	0	MP 2	1.940.550.04		NR, ETIKETTE 5 * 20	0	RZ 2	57.88.4681	680.		RZ 8 * 680 , 2%, SIP 9	
0	J 5	1.940.550.01			MESSERLEISTE 96 pol DIN 41812	0	MP 3	54.01.0021	Jumper	0.83 * 0.63mm	0	RZ 3	57.88.4471	470.		RZ 8 * 470 , 2%, SIP 9	
0	J 6	1.940.550.01			MESSERLEISTE 96 pol DIN 41812	0	MP 4	54.01.0021	Jumper	0.83 * 0.63mm	0	RZ 4	57.88.4681	680.		RZ 8 * 680 , 2%, SIP 9	
0	J 7	1.940.550.01			MESSERLEISTE 96 pol DIN 41812	0	MP 5	54.01.0021	Jumper	0.83 * 0.63mm	0	RZ 5	57.88.4471	470.		RZ 8 * 470 , 2%, SIP 9	
0	J 8	1.940.550.01			MESSERLEISTE 96 pol DIN 41812	0	MP 6	54.01.0021	Jumper	0.83 * 0.63mm	0	RZ 6	57.88.4681	680.		RZ 8 * 680 , 2%, SIP 9	
0	J 9	1.940.550.01			MESSERLEISTE 96 pol DIN 41812	0	MP 7	54.01.0021	Jumper	0.83 * 0.63mm	0	RZ 7	57.88.4471	470.		RZ 8 * 470 , 2%, SIP 9	
0	J 10	1.940.550.01			MESSERLEISTE 96 pol DIN 41812	0	MP 8	54.01.0021	Jumper	0.83 * 0.63mm	0	RZ 8	57.88.4681	680.		RZ 8 * 680 , 2%, SIP 9	
0	J 11	1.940.550.01			MESSERLEISTE 96 pol DIN 41812	0	MP 9	54.01.0021	Jumper	0.83 * 0.63mm	End of List						
0	J 12	1.940.550.01			MESSERLEISTE 96 pol DIN 41812	0	MP 10	54.01.0021	Jumper	0.83 * 0.63mm	<u>Comments</u>						
0	J 13	1.940.550.01			MESSERLEISTE 96 pol DIN 41812	0	MP 11	54.01.0021	Jumper	0.83 * 0.63mm	Plugs with longer solder pins requested, wire added.						
0	J 14	1.940.550.01			MESSERLEISTE 96 pol DIN 41812	0	MP 12	54.01.0021	Jumper	0.83 * 0.63mm							
0	J 15	1.940.550.01			MESSERLEISTE 96 pol DIN 41812	0	MP 13	54.01.0021	Jumper	0.83 * 0.63mm							
0	J 16	1.940.550.01			MESSERLEISTE 96 pol DIN 41812	0	MP 14	54.01.0021	Jumper	0.83 * 0.63mm							
0	J 17	54.02.0335	1p		P FLACH, 6.3*0.8, GERADE	0	MP 15	54.01.0021	Jumper	0.83 * 0.63mm							
0	J 18	54.02.0335	1p		P FLACH, 6.3*0.8, GERADE	0	MP 16	54.01.0021	Jumper	0.83 * 0.63mm							
0	J 19	54.02.0335	1p		P FLACH, 6.3*0.8, GERADE	0	MP 17	54.01.0021	Jumper	0.83 * 0.63mm							
0	J 20	54.02.0335	1p		P FLACH, 6.3*0.8, GERADE	0	MP 18	54.01.0021	Jumper	0.83 * 0.63mm							
0	J 21	54.02.0335	1p		Flatpin, 2.8*0.8mm												
0	J 22	54.02.0335	1p		P FLACH, 6.3*0.8, GERADE	1	P 1	54.14.2142	16p	1/20" Au, gerade, o Verr, 4mm							
0	J 23	54.02.0335	1p		P FLACH, 6.3*0.8, GERADE	0	P 2		not used	6p	1/20" Au, gerade, ohne Verrieg						
0	J 24	54.02.0335	1p		P FLACH, 6.3*0.8, GERADE	0	P 3		not used	6p	1/20" Au, gerade, ohne Verrieg						
0	J 25	54.02.0335	1p		P FLACH, 6.3*0.8, GERADE	0	P 4		not used	6p	1/20" Au, gerade, ohne Verrieg						
0	J 26	54.02.0335	1p		P FLACH, 6.3*0.8, GERADE	0	P 5		not used	6p	1/20" Au, gerade, ohne Verrieg						
0	J 27	54.02.0335	1p		P FLACH, 6.3*0.8, GERADE	0	P 6		not used	6p	1/20" Au, gerade, ohne Verrieg						
0	J 28	54.02.0335	1p		P FLACH, 6.3*0.8, GERADE	0	P 7		not used	6p	1/20" Au, gerade, ohne Verrieg						
0	J 29	54.02.0335	1p		P FLACH, 6.3*0.8, GERADE	0	P 8		not used	6p	1/20" Au, gerade, ohne Verrieg						
0	J 30	54.02.0335	1p		P FLACH, 6.3*0.8, GERADE	0	P 9		not used	6p	1/20" Au, gerade, ohne Verrieg						
0	J 31	54.02.0335	1p		P FLACH, 6.3*0.8, GERADE	1	P 10	54.14.2142	16p	1/20" Au, gerade, o Verr, 4mm							
0	J 32	54.02.0335	1p		P FLACH, 6.3*0.8, GERADE	1	P 11	54.14.2142	16p	1/20" Au, gerade, o Verr, 4mm							
0	J 33	54.02.0335	1p		P FLACH, 6.3*0.8, GERADE	1	P 12	54.14.2142	16p	1/20" Au, gerade, o Verr, 4mm							
0	JP 1	54.01.0020	1-P		P STIFT .63*.63, H=5.8/3.4	1	P 13	54.14.2142	16p	1/20" Au, gerade, o Verr, 4mm							
0	JP 2	54.01.0020	1-P		P STIFT .63*.63, H=5.8/3.4	1	P 14	54.14.2142	16p	1/20" Au, gerade, o Verr, 4mm							
0	JP 3	54.01.0020	1-P		P STIFT .63*.63, H=5.8/3.4	1	P 15	54.14.2142	16p	1/20" Au, gerade, o Verr, 4mm							
0	JP 4	54.01.0020	1-P		P STIFT .63*.63, H=5.8/3.4	1	P 16	54.14.2142	16p	1/20" Au, gerade, o Verr, 4mm							
0	JP 5	54.01.0020	1-P		P STIFT .63*.63, H=5.8/3.4	1	P 17	54.14.2142	16p	1/20" Au, gerade, o Verr, 4mm							
0	JP 6	54.01.0020	1-P		P STIFT .63*.63, H=5.8/3.4	1	P 18	54.14.2142	16p	1/20" Au, gerade, o Verr, 4mm							
0	JP 7	54.01.0020	1-P		P STIFT .63*.63, H=5.8/3.4	1	P 19	54.14.2142	16p	1/20" Au, gerade, o Verr, 4mm							
0	JP 8	54.01.0020	1-P		P STIFT .63*.63, H=5.8/3.4	1	P 20	54.14.2142	16p	1/20" Au, gerade, o Verr, 4mm							
0	JP 9	54.01.0020	1-P		P STIFT .63*.63, H=5.8/3.4	1	P 21	54.14.2142	16p	1/20" Au, gerade, o Verr, 4mm							
0	JP 10	54.01.0020	1-P		P STIFT .63*.63, H=5.8/3.4	1	P 22	54.14.2142	16p	1/20" Au, gerade, o Verr, 4mm							
0	JP 11	54.01.0020	1-P		P STIFT .63*.63, H=5.8/3.4	1	P 23	54.14.2142	16p	1/20" Au, gerade, o Verr, 4mm							
0	JP 12	54.01.0020	1-P		P STIFT .63*.63, H=5.8/3.4	1	P 24	54.14.2142	16p	1/20" Au, gerade, o Verr, 4mm							
0	JP 13	54.01.0020	1-P		P STIFT .63*.63, H=5.8/3.4	1	P 25	54.14.2142	16p	1/20" Au, gerade, o Verr, 4mm							
0	JP 14	54.01.0020	1-P		P STIFT .63*.63, H=5.8/3.4	1	P 26	54.14.2142	16p	1/20" Au, gerade, o Verr, 4mm							
0	JP 15	54.01.0020	1-P		P STIFT .63*.63, H=5.8/3.4	1	P 27	54.14.2142	16p	1/20" Au, gerade, o Verr, 4mm							
0	JP 16	54.01.0020	1-P		P STIFT .63*.63, H=5.8/3.4	1	P 28	54.14.2142	16p	1/20" Au, gerade, o Verr, 4mm							
0	JP 17	54.01.0020	1-P		P STIFT .63*.63, H=5.8/3.4	1	P 29	54.14.2142	16p	1/20" Au, gerade, o Verr, 4mm							
0	JP 18	54.01.0020	1-P		P STIFT .63*.63, H=5.8/3.4	1	P 30	54.14.2142	16p	1/20" Au, gerade, o Verr, 4mm							
0	JP 19	54.01.0020	1-P		P STIFT .63*.63, H=5.8/3.4	1	P 31	54.14.2142	16p	1/20" Au, gerade, o Verr, 4mm							
0	JP 20	54.01.0020	1-P		P STIFT .63*.63, H=5.8/3.4	1	P 32	54.14.2142	16p	1/20" Au, gerade, o Verr, 4mm							
0	JP 21	54.01.0020	1-P		P STIFT .63*.63, H=5.8/3.4	1	P 33	54.14.2142	16p	1/20" Au, gerade, o Verr, 4mm							
0	JP 22	54.01.0020	1-P		P STIFT .63*.63, H=5.8/3.4	1	P 34	54.14.2142	16p	1/20" Au, gerade, o Verr, 4mm							
0	JP 23	54.01.0020	1-P		P STIFT .63*.63, H=5.8/3.4	1	P 35	54.14.2142	16p	1/20" Au, gerade, o Verr, 4mm							
0	JP 24	54.01.0020	1-P		P STIFT .63*.63, H=5.8/3.4	1	P 36	54.14.2142	16p	1/20" Au, gerade, o Verr, 4mm							
0	JP 25	54.01.0020	1-P		P STIFT .63*.63, H=5.8/3.4	1	P 37	54.14.2142	16p	1/20" Au, gerade, o Verr, 4mm							
0	JP 26	54.01.0020	1-P		P STIFT .63*.63, H=5.8/3.4	1	P 38	54.14.2142	16p	1/20" Au, gerade, o Verr, 4mm							
0	JP 27	54.01.0020	1-P		P STIFT .63*.63, H=5.8/3.4	1	P 39	54.14.2142	16p	1/20" Au, gerade, o Verr, 4mm							
0	JP 28	54.01.0020	1-P		P STIFT .63*.63, H=5.8/3.4	1	P 40	54.14.2142	16p	1/20" Au, gerade, o Verr, 4mm							
0	JP 29	54.01.0020	1-P		P STIFT .63*.63, H=5.8/3.4	1	P 41	54.14.2141	10p	1/20" Au, gerade, o Verr, 4mm							
0	JP 30	54.01.0020	1-P		P STIFT .63*.63, H=5.8/3.4	0	R 1	57.10.1272	2K7	MF, 1%, 0204							
0	JP 31	54.01.0020	1-P		P STIFT .63*.63, H=5.8/3.4	0	R 2	57.10.1272	2K7	MF, 1%, 0204							
0	JP 32	54.01.0020	1-P		P STIFT .63*.63, H=5.8/3.4	0	R 3	57.10.1471	470R	MF, 1%, 0204							
0	JP 33	54.01.0020	1-P		P STIFT .63*.63, H=5.8/3.4	0	R 4</										

7 POWER SUPPLY UNITS

General For the power supply of the D940/D941 mixing consoles, Coutant 19" units (HSU series) are used which are equipped with a Studer front panel.

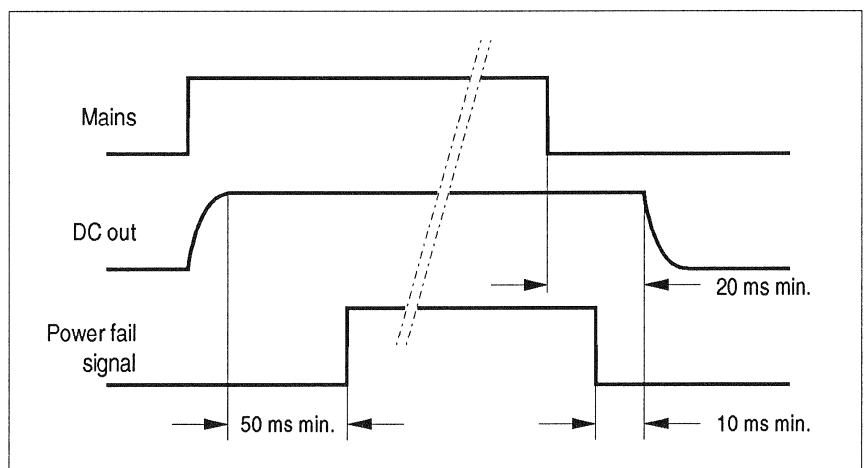
Studer Part No.	Description	Basic Coutant product
1.940.601.00	Power Supply 5 V/20 A	HSU-100-10
1.940.602.00	Power Supply ± 15 V/3.4 A	HSU-100-23
1.940.603.00	Power Supply 24 V/4.2 A	HSU-100-13



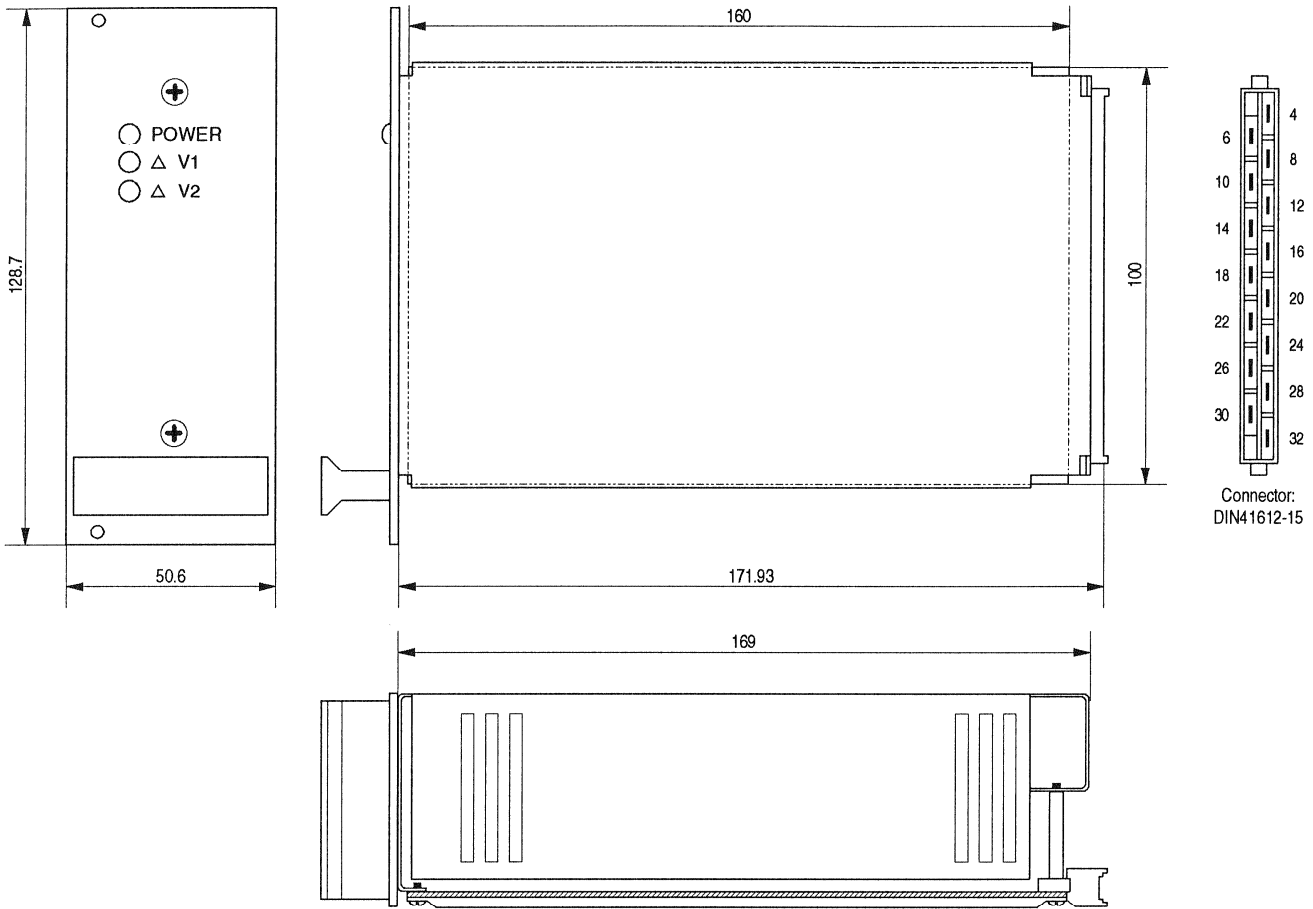
Important As the power supply units are safety-relevant parts, they may be serviced only by authorized personnel using original spare parts. For replacement, contact your nearest Studer representative; for repair, contact the nearest Coutant distributor. The Coutant brand is represented worldwide by companies with the following names: Coutant, Coutant-Lambda, Lambda-Coutant, Lambda electronics, Nemic-Lambda, or CL electronics.

7.1 Specifications

- Mains voltages:** 230 V (200...240 V $\pm 10\%$)
115 V (100...120 V $\pm 10\%$)
- Voltage selector:** Jumper below cover
- Mains frequency:** 47...440 Hz
- Efficiency:** typ. 75%
- Output power:** 100 W total
- Output(s):** short-circuit protected, main output(s) overload protected (110%)
- Power down (logic inhibit):** Control input, TTL compatible, active high (5 V/1.6 mA)
- Power fail:** Output, open collector, TTL compatible, active low (max. 30 V/16 mA) (see diagram below).



Dimensions: (in mm)



Pin assignment:

Pin	Single output	Twin output
4	V1 +	V1 +
6	V1 +	V1 GND
8	Sense +	V2 -
10	Sense GND	V2 GND
12	V1 GND	
14	V1 GND	
16		
18		
20	Logic inhibit	Logic inhibit
22	Power fail	Power fail
24		
26		
28	AC live	AC live
30	AC neutral	AC neutral
32	Safety GND	Safety GND

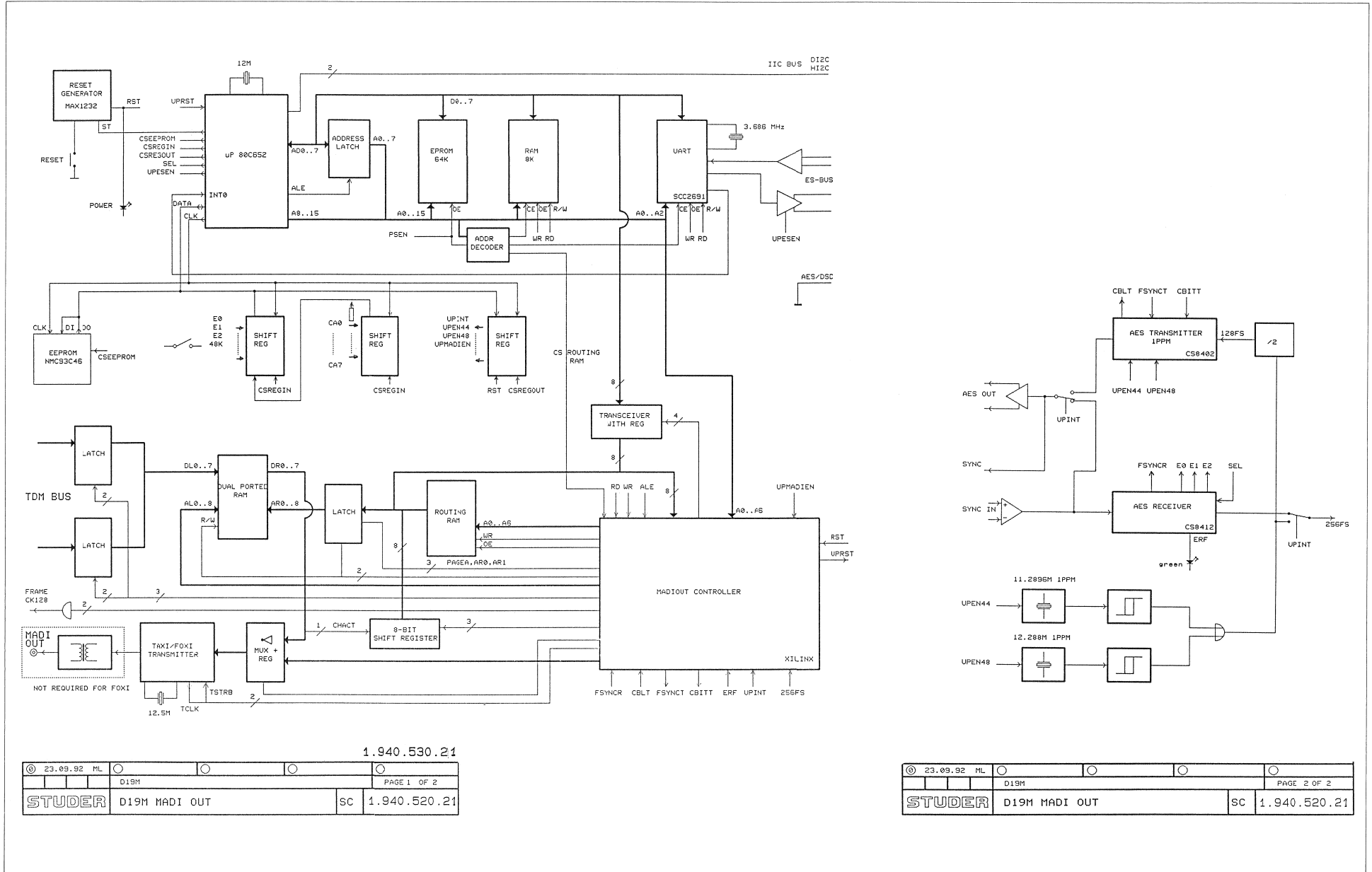
SCHEMATA / CIRCUIT DIAGRAMS

Block Diagram D19 M Mado Coaxial	1.940.520.21
Block Diagram Mado Optical	1.940.530.21
D19 M Mado Coaxial	1.940.520.21
Mado Optical	1.940.530.21
Block Diagram D19 M SFC Board	1.940.540
D19 M SFC Board	1.940.540.22
D19 M 24 Bit AD Board	1.940.562.20
D19 M 24 Bit AD/ND Board	1.940.563.20
D19 M AESI Board	1.940.580.20

STUDER

Digital Audio Processing

Block Diagram
 D19M Mado Coaxial 1.940.520.21
 Mado Optical 1.940.530.21

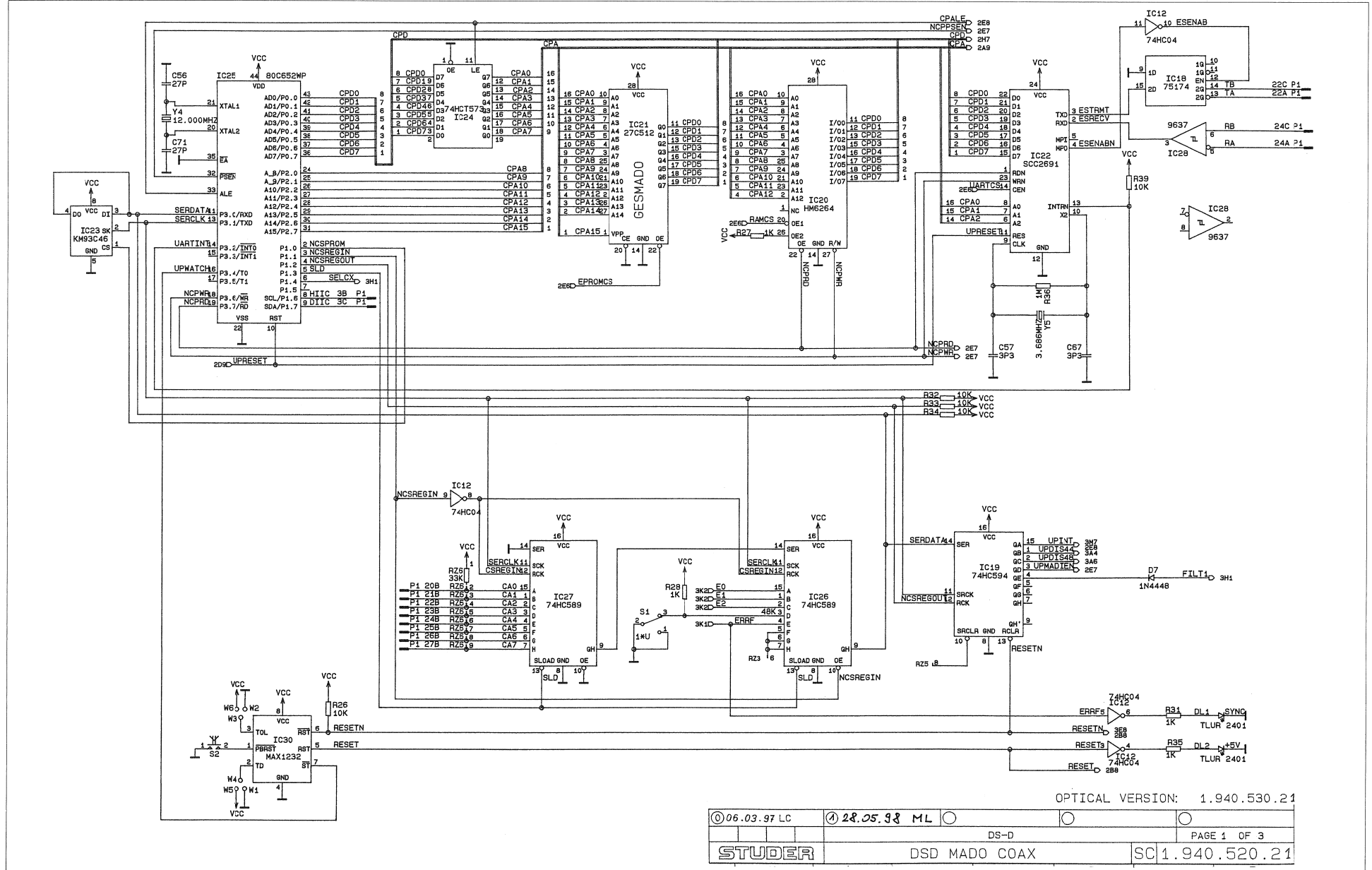


1.940.530.21

© 23.09.92 ML	D19M				
STUDER			D19M MADI OUT	SC	1.940.520.21
			PAGE 1 OF 2		

© 23.09.92 ML	D19M				
STUDER			D19M MADI OUT	SC	1.940.520.21
			PAGE 2 OF 2		

D19M Mado Coaxial 1.940.520.21
Mado Optical 1.940.530.21

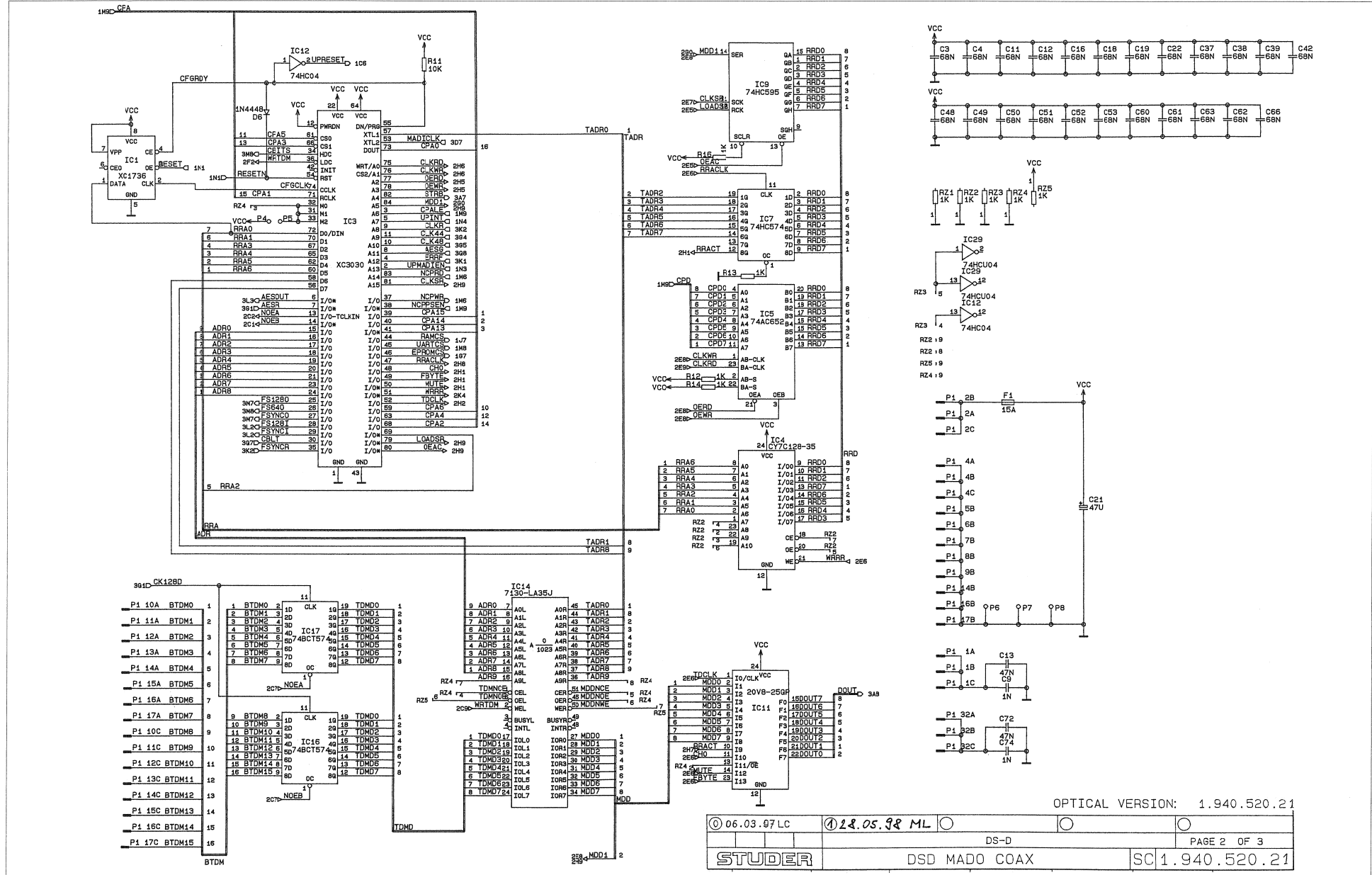


OPTICAL VERSION: 1.940.530.21

06.03.97 LC	28.05.98 ML	DS-D	PAGE 1 OF 3
STUDER		DSD MADO COAX	SC1.940.520.21



DI19M Mado Coaxial 1.940.520.21
Mado Optical 1.940.530.21



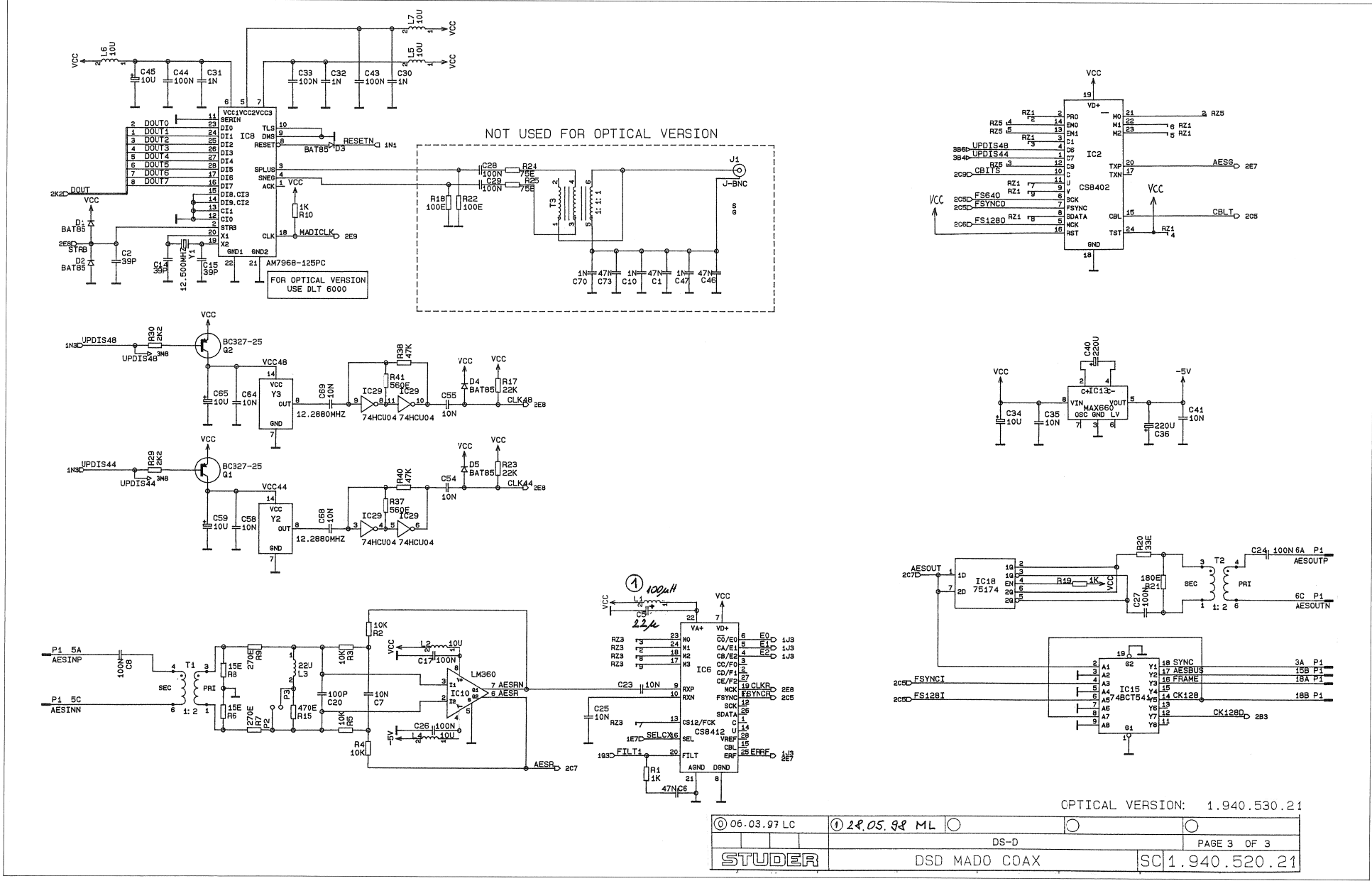
OPTICAL VERSION: 1.940.520.21

© 06.03.97 LC ① 22.05.98 ML ○ ○ ○ ○

STUDER DSD MADO COAX SC 1.940.520.21

DS-D PAGE 2 OF 3

DI9M Mado Coaxial 1.940.520.21
Mado Optical 1.940.530.21

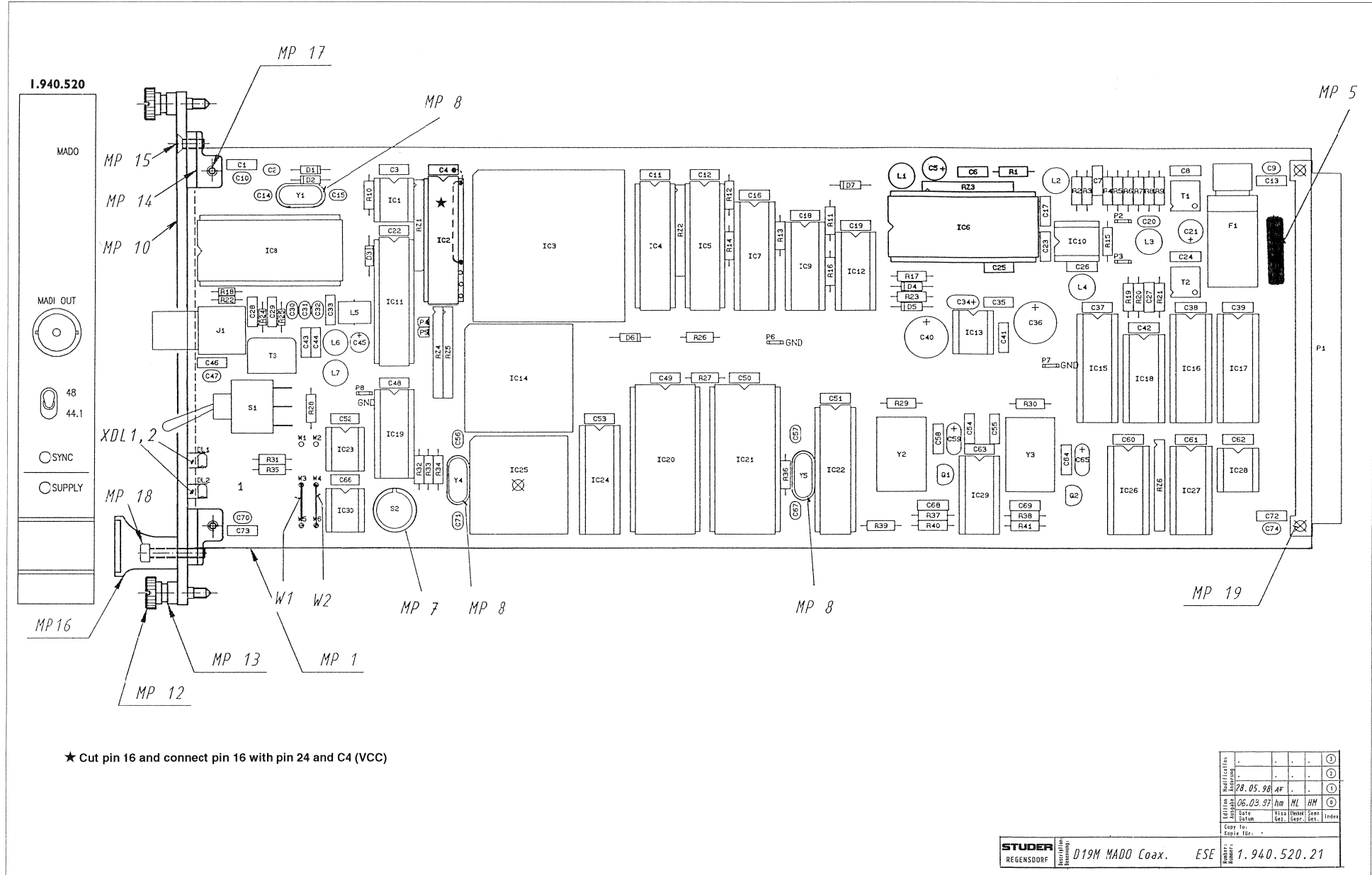


OPTICAL VERSION: 1.940.530.21

06.03.97 LC	28.05.98 ML	DS-D	PAGE 3 OF 3
STUDER		DSD MADO COAX	
		SC1.940.520.21	



D19M Mado Coaxial 1.940.520.21





D19M Mado Coaxial I.940.520.21

Idx.	Pos.	Part No.	Qty.	Type/Val.	Description	Idx.	Pos.	Part No.	Qty.	Type/Val.	Description
0	C 1	59.06.0473		47n	PETP, 63V, 10%, RM5	0	F 1	51.01.0119		1.6A	T 5*20 L 250V
0	C 2	59.34.2390		39p	CER 63V, 5%, N150						
0	C 3	59.06.0683		68n	PETP, 63V, 10%, RM5	0	IC 1	1.940.946.21			SW 520 MADIOUT (50.14.1501)
0	C 4	59.06.0683		68n	PETP, 63V, 10%, RM5	0	IC 2	50.13.0203			IC CS 8402-CP ,A
1	C 5	59.22.5220		22u	EL 25V, 20%, RM5	0	IC 3	50.63.4003			IC ATT3030-125, XC3030A-6 ,A
0	C 6	59.06.0473		47n	PETP, 63V, 10%, RM5	0	IC 4	50.14.1009		CY7C120-35	IC MCM 2010 A - 35 ,A
0	C 7	59.06.0103		10n	PETP, 63V, 10%, RM5	0	IC 5	50.17.5652		74AC652	IC .. 74 AC 652 , ,A
0	C 8	59.06.0104		100n	PETP, 63V, 10%, RM5	0	IC 6	50.13.0202		CS8412	IC CS 8412-CP , ,A
0	C 9	59.32.4102		1n	C 1000 P, 20%, 50V, CER	0	IC 7	50.17.1574		74HC574	IC ... 74 HC 574 , ,A
0	C 10	59.32.4102		1n	C 1000 P, 20%, 50V, CER	0	IC 8	50.16.0701		AM7968-125P	IC AM 7968-125 PC ,A
0	C 11	59.06.0683		68n	PETP, 63V, 10%, RM5	0	IC 9	50.17.1595		74HC595	IC ... 74 HC 595 , ,A
0	C 12	59.06.0683		68n	PETP, 63V, 10%, RM5	0	IC 10	50.11.1002		LM360	High speed Comparator
0	C 13	59.06.0473		47n	PETP, 63V, 10%, RM5	0	IC 11	1.940.947.20			SW 520 TAXIREG (50.18.0101)
0	C 14	59.34.2390		39p	CER 63V, 5%, N150	0	IC 12	50.17.1004		74HC04	IC ... 74 HC 04 , ,A
0	C 15	59.34.2390		39p	CER 63V, 5%, N150	0	IC 13	50.10.0124		MAX660	V-Converter ... +5.5V to -5.5V
0	C 16	59.06.0683		68n	PETP, 63V, 10%, RM5	0	IC 14	50.63.1702		CY7C130	IC CY7C 130 - 45 LC ,A
0	C 17	59.06.0104		100n	PETP, 63V, 10%, RM5	0	IC 15	50.17.8541		74BCT541	Octal Buffer, tri
0	C 18	59.06.0683		68n	PETP, 63V, 10%, RM5	0	IC 16	50.17.8574		74BCT574	Octal D-Type FF, tri
0	C 19	59.06.0683		68n	PETP, 63V, 10%, RM5	0	IC 17	50.17.8574		74BCT574	Octal D-Type FF, tri
0	C 20	59.34.4101		100p	CER 63V, 5%, N750	0	IC 18	50.15.0121		75174	IC SN 75174 N
0	C 21	59.22.3470		47u	EL 10V, 20%, RM5	0	IC 19	50.17.1594		74HC594	IC ... 74 HC 594 , ,A
0	C 22	59.06.0683		68n	PETP, 63V, 10%, RM5	0	IC 20	50.14.0133		5655	IC HM 6264LP-15 ,A
0	C 23	59.06.0103		10n	PETP, 63V, 10%, RM5	0	IC 21	1.940.945.20			SW 520 MADO (50.14.2002)
0	C 24	59.06.0104		100n	PETP, 63V, 10%, RM5	0	IC 22	50.16.0201		SCC2691	IC SCC 2691 AE 1 N 24 ,A
0	C 25	59.06.0103		10n	PETP, 63V, 10%, RM5	0	IC 23	50.14.2103		HY93C46S	EEPROM 64 * 16, serial
0	C 26	59.06.0104		100n	PETP, 63V, 10%, RM5	0	IC 24	50.17.0573		74HCT573	IC ... 74 HCT573 , ,A
0	C 27	59.06.0104		100n	PETP, 63V, 10%, RM5	0	IC 25	50.63.0009		80C652	8bit microcontroller
0	C 28	59.06.0104		100n	PETP, 63V, 10%, RM5	0	IC 26	50.17.1589		74HC589	MC 74 HC 589 N
0	C 29	59.06.0104		100n	PETP, 63V, 10%, RM5	0	IC 27	50.17.1589		74HC589	MC 74 HC 589 N
0	C 30	59.32.4102		1n	C 1000 P, 20%, 50V, CER	0	IC 28	50.15.0114		9637	Dual diff Line Receiver
0	C 31	59.32.4102		1n	C 1000 P, 20%, 50V, CER	0	IC 29	50.17.1904		74HCJ04	IC ... 74 HCU 04 , ,A
0	C 32	59.32.4102		1n	C 1000 P, 20%, 50V, CER	0	IC 30	50.11.0159		MAX1232	IC MAX 1232 CPA, DS 1232
0	C 33	59.06.0104		100n	PETP, 63V, 10%, RM5						
0	C 34	59.22.6100		10u	EL 35V, 20%, RM5	0	J 1	54.21.2031		BNC	J 1 POL PRINT/WINKEL BNC
0	C 35	59.06.0103		10n	PETP, 63V, 10%, RM5						
0	C 36	59.22.4221		220u	EL 16V, 20%, RM5	1	L 1	62.02.3101		100uH	10%, radial RM 5
0	C 37	59.06.0683		68n	PETP, 63V, 10%, RM5	0	L 2	62.02.3100		10uH	10%, radial RM 5
0	C 38	59.06.0683		68n	PETP, 63V, 10%, RM5	0	L 3	62.02.3220		22uH	10%, radial RM 5
0	C 39	59.06.0683		68n	PETP, 63V, 10%, RM5	0	L 4	62.02.3100		10uH	10%, radial RM 5
0	C 40	59.22.4221		220u	EL 16V, 20%, RM5	0	L 5	62.03.0001		10uH	1A Toroid Choche
0	C 41	59.06.0103		10n	PETP, 63V, 10%, RM5	0	L 6	62.02.3100		10uH	10%, radial RM 5
0	C 42	59.06.0683		68n	PETP, 63V, 10%, RM5	0	L 7	62.02.3100		10uH	10%, radial RM 5
0	C 43	59.06.0104		100n	PETP, 63V, 10%, RM5						
0	C 44	59.06.0104		100n	PETP, 63V, 10%, RM5	0	MP 1	1.940.520.11			D19M MADO PCB
0	C 45	59.22.6100		10u	EL 35V, 20%, RM5	0	MP 2	1.010.057.43			Baugruppenschild
0	C 46	59.06.0473		47n	PETP, 63V, 10%, RM5	0	MP 3	43.01.0108		Label	ESE-WARNSCHILD
0	C 47	59.32.4102		1n	C 1000 P, 20%, 50V, CER	0	MP 4	1.101.001.20		Label	TEXT-ETIK 5*20 HARDWARE -20
0	C 48	59.06.0683		68n	PETP, 63V, 10%, RM5	0	MP 5	1.010.117.51			TEXT-ETIK. 5*20 (T1.60A)
0	C 49	59.06.0683		68n	PETP, 63V, 10%, RM5	0	MP 7	1.010.015.50		Spacer	ISOLIER-SCHIEBE ZU T0 5
0	C 50	59.06.0683		68n	PETP, 63V, 10%, RM5	0	MP 8	89.01.1499 3 pcs			QUARZ - ISOLIERPLATTE
0	C 51	59.06.0683		68n	PETP, 63V, 10%, RM5	0	MP 10	1.940.520.01 1 pce			FRONTPLATTE
0	C 52	59.06.0683		68n	PETP, 63V, 10%, RM5	0	MP 11	1.940.600.04 1 pce			GRIFFEINLAGE 4TE
0	C 53	59.06.0683		68n	PETP, 63V, 10%, RM5	0	MP 12	49.02.0520 2 pcs		M2.5*12	Rändelschraube (Rack)
0	C 54	59.06.0103		10n	PETP, 63V, 10%, RM5	0	MP 13	49.02.0521 2 pcs			Metall-Buchse (Rack)
0	C 55	59.06.0103		10n	PETP, 63V, 10%, RM5	0	MP 14	49.02.0522 2 pcs			Kartenhalter (Rack)
0	C 56	59.34.2270		27p	CER 63V, 5%, N150	0	MP 15	49.02.0523 2 pcs		M2.5*7	Senk-Schr, KS, Senkripp
0	C 57	59.34.0339		3p3	CER 63V, 5%, P100	0	MP 16	49.02.0504 1 pce		4TE	Frontplatten-Griff
0	C 58	59.06.0103		10n	PETP, 63V, 10%, RM5	0	MP 17	21.53.0279 2 pcs			Z - SCHR. IS, ZN, M2.5 * 6
0	C 59	59.22.6100		10u	EL 35V, 20%, RM5	0	MP 18	21.53.0284 1 pce			Z - SCHR. IS, ZN, M2.5 * 16
0	C 60	59.06.0683		68n	PETP, 63V, 10%, RM5	0	MP 19	28.99.0119 2 pcs			ROHRNIETE D 2.5*0.15* 9
0	C 61	59.06.0683		68n	PETP, 63V, 10%, RM5						
0	C 62	59.06.0683		68n	PETP, 63V, 10%, RM5	0	P 1	54.11.2009		96p	EU-R 3*32p
0	C 63	59.06.0683		68n	PETP, 63V, 10%, RM5	0	P 2	54.02.0320		1p	Flatpin, 2.8*0.8mm
0	C 64	59.06.0103		10n	PETP, 63V, 10%, RM5	0	P 3	54.02.0320		1p	Flatpin, 2.8*0.8mm
0	C 65	59.22.6100		10u	EL 35V, 20%, RM5	0	P 4	54.01.0020		1p	Pin 0.63*0.63
0	C 66	59.06.0683		68n	PETP, 63V, 10%, RM5	0	P 5	54.01.0020		1p	Pin 0.63*0.63
0	C 67	59.34.0339		3p3	CER 63V, 5%, P100	0	P 6	54.02.0320		1p	Flatpin, 2.8*0.8mm
0	C 68	59.06.0103		10n	PETP, 63V, 10%, RM5	0	P 7	54.02.0320		1p	Flatpin, 2.8*0.8mm
0	C 69	59.06.0103		10n	PETP, 63V, 10%, RM5	0	P 8	54.02.0320		1p	Flatpin, 2.8*0.8mm
0	C 70	59.32.4102		1n	C 1000 P, 20%, 50V, CER						
0	C 71	59.34.2270		27p	CER 63V, 5%, N150	0	Q 1	50.03.0351		BC327-25	PNP, 800mA
0	C 72	59.06.0473		47n	PETP, 63V, 10%, RM5	0	Q 2	50.03.0351		BC327-25	PNP, 800mA
0	C 73	59.06.0473		47n	PETP, 63V, 10%, RM5						
0	C 74	59.32.4102		1n	C 1000 P, 20%, 50V, CER	0	R 1	57.11.3102		1k0	MF, 1%, 0207
						0	R 2	57.11.3103		10k	MF, 1%, 0207
0	D 1	50.04.0127		BAT85	200mA, Schottky	0	R 3	57.11.3103		10k	MF, 1%, 0207
0	D 2	50.04.0127		BAT85	200mA, Schottky	0	R 4	57.11.3103		10k	MF, 1%, 0207
0	D 3	50.04.0127		BAT85	200mA, Schottky	0	R 5	57.11.3103		10k	MF, 1%, 0207
0	D 4	50.04.0127		BAT85	200mA, Schottky	0	R 6	57.11.3150		15R	MF, 1%, 0207
0	D 5	50.04.0127		BAT85	200mA, Schottky	0	R 7	57.11.3271		270R	MF, 1%, 0207
0	D 6	50.04.0125		1N4448	75V, 150mA, 4ns, DO-35	0	R 8	57.11.3150		15R	MF, 1%, 0207
0	D 7	50.04.0125		1N4448	75V, 150mA, 4ns, DO-35	0	R 9	57.11.3271		270R	MF, 1%, 0207
						0	R 10	57.11.3102		1k0	MF, 1%, 0207
0	DL 1	50.04.2202		HLMP1790	DL HLMP - 1790 GN	0	R 11	57.11.3103		10k	MF, 1%, 0207
0	DL 2	50.04.2202		HLMP1790	DL HLMP - 1790 GN	0	R 12	57.11.3102		1k0	MF, 1%, 0207



DI9M Mado Coaxial I.940.520.2I

Idx.	Pos.	Part No.	Qty.	Type/Val.	Description
0	R 13	57.11.3102		1k0	MF, 1%, 0207
0	R 14	57.11.3102		1k0	MF, 1%, 0207
0	R 15	not used		470R	MF, 1%, 0207
0	R 16	57.11.3102		1k0	MF, 1%, 0207
0	R 17	57.11.3223		22k	MF, 1%, 0207
0	R 18	57.10.1101		100R	MF, 1%, 0204
0	R 19	57.11.3102		1k0	MF, 1%, 0207
0	R 20	57.11.3330		33R	MF, 1%, 0207
0	R 21	57.11.3181		180R	MF, 1%, 0207
0	R 22	57.10.1101		100R	MF, 1%, 0204
0	R 23	57.11.3223		22k	MF, 1%, 0207
0	R 24	57.10.1750		75R	MF, 1%, 0204
0	R 25	57.10.1750		75R	MF, 1%, 0204
0	R 26	57.11.3103		10k	MF, 1%, 0207
0	R 27	57.11.3102		1k0	MF, 1%, 0207
0	R 28	57.11.3102		1k0	MF, 1%, 0207
0	R 29	57.11.3222		2k2	MF, 1%, 0207
0	R 30	57.11.3222		2k2	MF, 1%, 0207
0	R 31	57.11.3102		1k0	MF, 1%, 0207
0	R 32	57.11.3103		10k	MF, 1%, 0207
0	R 33	57.11.3103		10k	MF, 1%, 0207
0	R 34	57.11.3103		10k	MF, 1%, 0207
0	R 35	57.11.3102		1k0	MF, 1%, 0207
0	R 36	57.11.3105		1M0	MF, 1%, 0207
0	R 37	57.11.3561		560R	MF, 1%, 0207
0	R 38	57.11.3473		47k	MF, 1%, 0207
0	R 39	57.11.3103		10k	MF, 1%, 0207
0	R 40	57.11.3473		47k	MF, 1%, 0207
0	R 41	57.11.3561		560R	MF, 1%, 0207
0	RZ 1	57.88.4102		8*1k	2%, SIP 9
0	RZ 2	57.88.4102		8*1k	2%, SIP 9
0	RZ 3	57.88.4102		8*1k	2%, SIP 9
0	RZ 4	57.88.4102		8*1k	2%, SIP 9
0	RZ 5	57.88.4102		8*1k	2%, SIP 9
0	RZ 6	57.88.4333		8*33k	2%, SIP 9
0	S 1	55.11.0202		SPST	Toggle on - none - on
0	S 2	55.03.0122		1*a	S 1 TASTE, 1*A, PRINT,IMPULS
0	T 1	63.15.0021			RF - Trafo
0	T 2	63.15.0021			RF - Trafo
0	T 3	63.15.0001			IMPULSTRANSFORMATOR
0	W 1	1.010.324.64		Wire	DRAHTBRUECKE U, 4.3*10.2, 0.6
0	W 2	1.010.324.64		Wire	DRAHTBRUECKE U, 4.3*10.2, 0.6
0	XDL 1	50.20.2501		Spacer	LED-Sockel
0	XDL 2	50.20.2501		Spacer	LED-Sockel
0	XF 1	53.03.0118			XF 5 * 20, PRINT-LIEGEND
0	XIC 1	53.03.0166		8p	DIL 0.3", lot, gerade
0	XIC 3	53.03.2284		PLCC84p	PLCC-Socket 84p
0	XIC 11	53.03.0182		24p	DIL 0.3", lot, gerade
0	XIC 14	53.03.2252		PLCC52p	PLCC-Socket 52p
0	XIC 15	53.03.0165		20p	DIL 0.3", lot, gerade
0	XIC 16	53.03.0165		20p	DIL 0.3", lot, gerade
0	XIC 17	53.03.0165		20p	DIL 0.3", lot, gerade
0	XIC 18	53.03.0168		16p	DIL 0.3", lot, gerade
0	XIC 21	53.03.0173		28p	DIL 0.6", lot, gerade
0	XIC 25	53.03.2244		PLCC44p	PLCC-Socket 44p
0	XIC 28	53.03.0166		8p	DIL 0.3", lot, gerade
0	Y 1	89.01.1013		12.500MHz	12.500 000 MHz, HC 49/U
0	Y 2	89.01.1602		11.2896MHz	TCXO Xtal-Oscillator temp comp
0	Y 3	89.01.1601		12.288MHz	TCXO Xtal-Oscillator temp comp
0	Y 4	89.01.1014		12.000MHz	12.000 000 MHz, HC 49/U
0	Y 5	89.01.1002		3.686MHz	3.686 400 MHz, HC 18/U

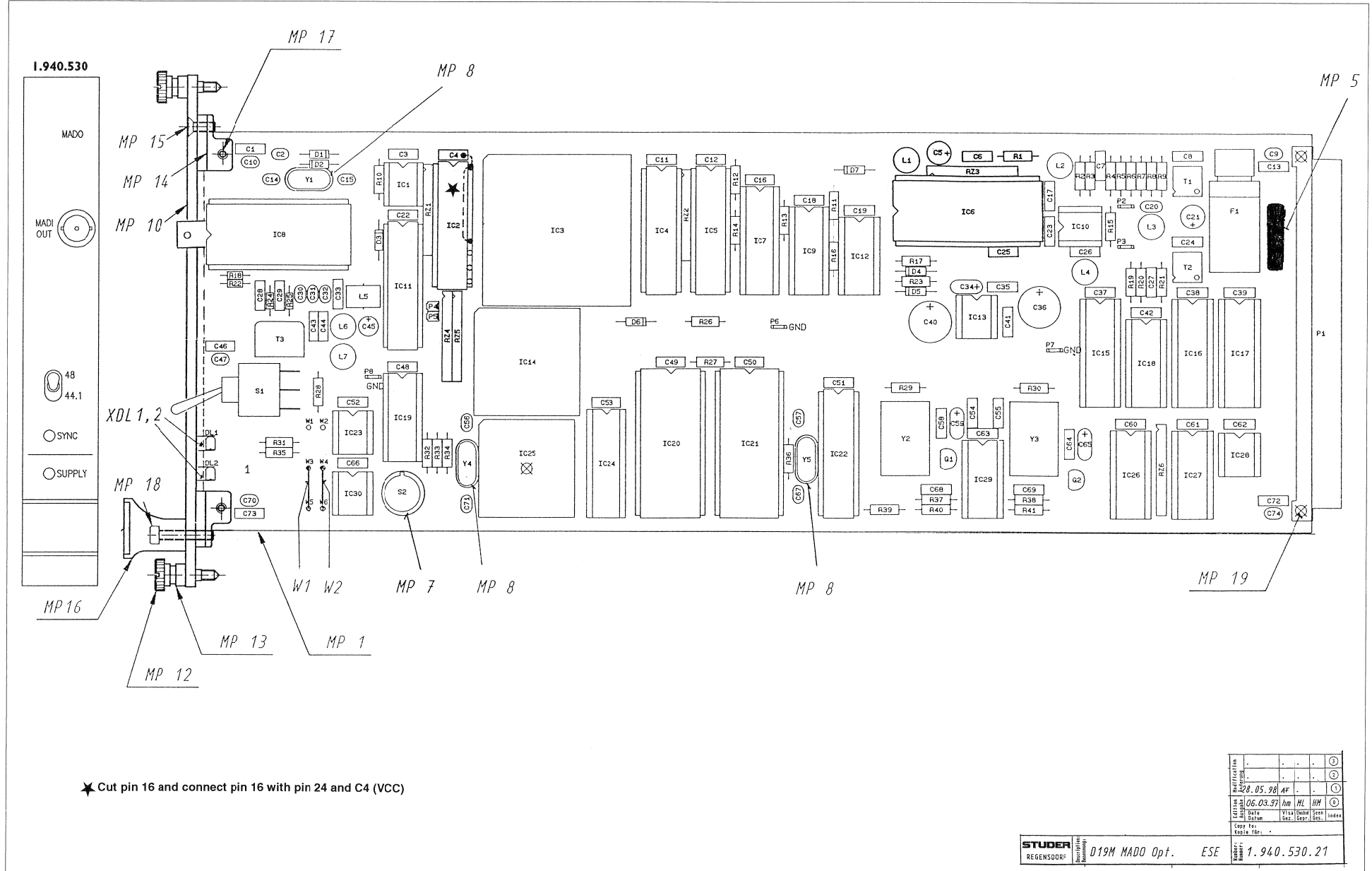
End of List

Comments:

(1) 28.05.1998 Improvement of clock jitter:
C5 59.22.5220 L1 62.02.3101



Mado Optical I.940.530.21



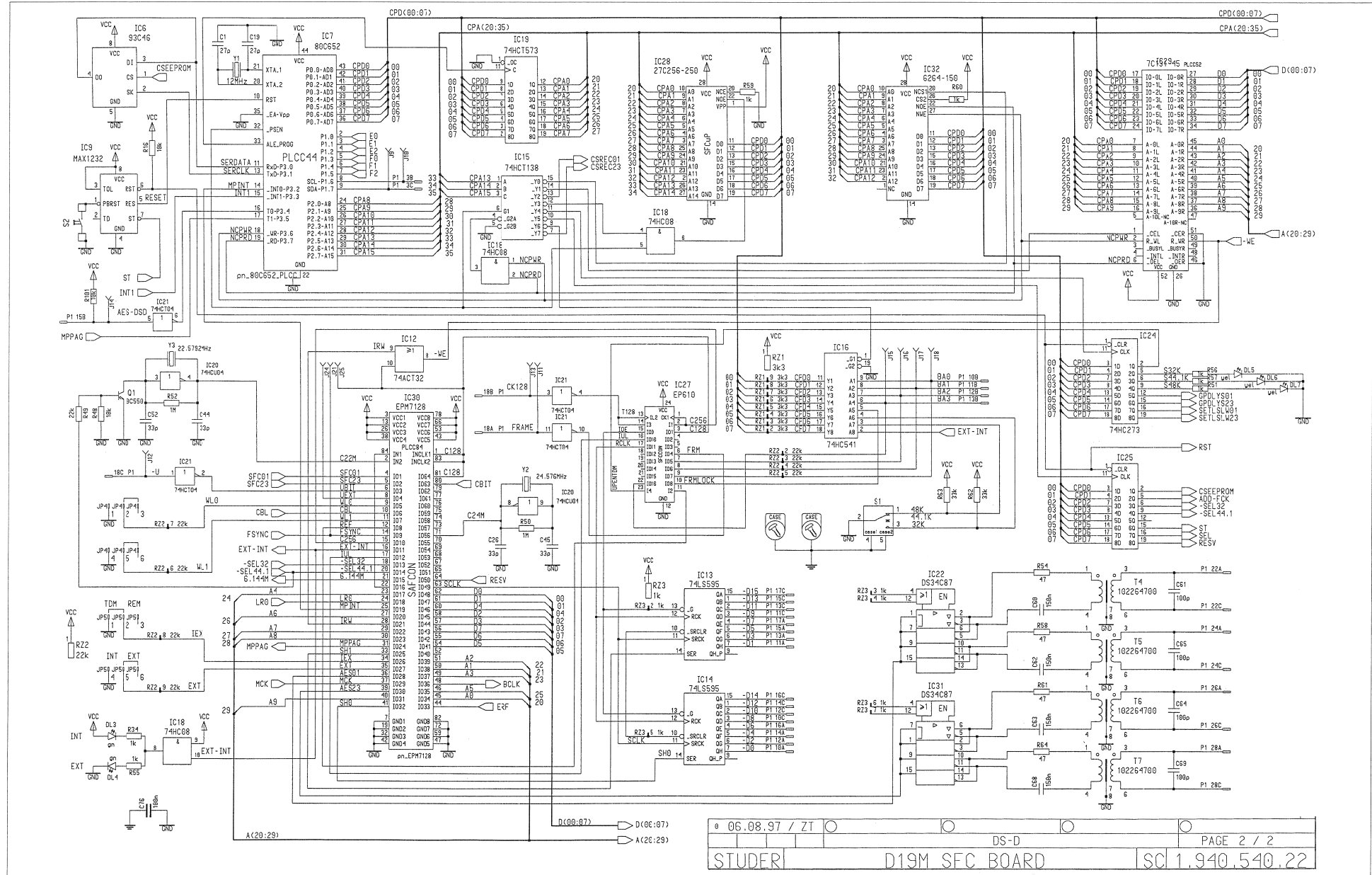


Mado Optical 1.940.530.21

Idx.	Pos.	Part No.	Qty.	Type/Val.	Description	Idx.	Pos.	Part No.	Qty.	Type/Val.	Description	Idx.	Pos.	Part No.	Qty.	Type/Val.	Description
0	C 1	not used	47n		PETP, 63V, 10%, RMS	0	F 1	51.01.0119	1.6A	T 5*20 L 250V	0	R 15	not used	470R		MF, 1%, 0207	
0	C 2	59.34.2390	39p		CER 63V, 5%, N150	0	IC 1	1.940.946.21		SW 520 MADIOUT (50.14.1501)	0	R 16	57.11.3102	1k0		MF, 1%, 0207	
0	C 3	59.06.0683	68n		PETP, 63V, 10%, RMS	0	IC 2	50.13.0203		IC CS 8402-CP ,A	0	R 17	57.11.3223	22k		MF, 1%, 0207	
0	C 4	59.06.0683	68n		PETP, 63V, 10%, RMS	0	IC 3	50.63.4003		IC ATT3030-125, XC3030A-6 ,A	0	R 18	not used	100R		MF, 1%, 0204	
1	C 5	59.22.5220	22u		EL 25V, 20%, RMS	0	IC 4	50.14.1009		IC MCM 2018 A - 35 ,A	0	R 19	57.11.3102	1k0		MF, 1%, 0207	
0	C 6	59.06.0473	47n		PETP, 63V, 10%, RMS	0	IC 5	50.17.5652		74AC652 IC ... 74 AC 652 ,A	0	R 20	57.11.3330	33R		MF, 1%, 0207	
0	C 7	59.06.0103	10n		PETP, 63V, 10%, RMS	0	IC 6	50.13.0202		CS8412 IC CS 8412-CP ,A	0	R 21	57.11.3181	180R		MF, 1%, 0207	
0	C 8	59.06.0104	100n		PETP, 63V, 10%, RMS	0	IC 7	50.17.1574		74HC574 IC ... 74 HC 574 , ,A	0	R 22	not used	100R		MF, 1%, 0204	
0	C 9	59.32.4102	1n		C 1000 P, 20%, 50V, CER	0	IC 8	89.10.0001		DLT 6000 (LVL - MODUL) ,A	0	R 23	57.11.3223	22k		MF, 1%, 0207	
0	C 10	not used	1n		C 1000 P, 20%, 50V, CER	0	IC 9	50.17.1595		74HC595 IC ... 74 HC 595 ,A	0	R 24	not used	75R		MF, 1%, 0204	
0	C 11	59.06.0683	68n		PETP, 63V, 10%, RMS	0	IC 10	50.11.1002		LM360 High speed Comparator	0	R 25	57.11.3103	10k		MF, 1%, 0207	
0	C 12	59.06.0683	68n		PETP, 63V, 10%, RMS	0	IC 11	1.940.947.20		SW 520 TAXIREG (50.18.0101)	0	R 26	57.11.3103	10k		MF, 1%, 0207	
0	C 13	59.06.0473	47n		PETP, 63V, 10%, RMS	0	IC 12	50.17.1004		74HC04 IC ... 74 HC 04 , ,A	0	R 27	57.11.3102	1k0		MF, 1%, 0207	
0	C 14	59.34.2390	39p		CER 63V, 5%, N150	0	IC 13	50.10.0124		MAX660 V-Converter ... +5.5V to -5.5V	0	R 28	57.11.3102	1k0		MF, 1%, 0207	
0	C 15	59.34.2390	39p		CER 63V, 5%, N150	0	IC 14	50.63.1702		CY7C130 IC CY7C 130 - 45 L/C ,A	0	R 29	57.11.3222	2k2		MF, 1%, 0207	
0	C 16	59.06.0683	68n		PETP, 63V, 10%, RMS	0	IC 15	50.17.8541		74BCT541 Octal Buffer, tri	0	R 30	57.11.3222	2k2		MF, 1%, 0207	
0	C 17	59.06.0104	100n		PETP, 63V, 10%, RMS	0	IC 16	50.17.8574		74BCT574 Octal D-Type FF, tri	0	R 31	57.11.3102	1k0		MF, 1%, 0207	
0	C 18	59.06.0683	68n		PETP, 63V, 10%, RMS	0	IC 17	50.17.8574		74BCT574 Octal D-Type FF, tri	0	R 32	57.11.3103	10k		MF, 1%, 0207	
0	C 19	59.06.0683	68n		PETP, 63V, 10%, RMS	0	IC 18	50.15.0121		75174 IC SN 75174 N	0	R 33	57.11.3103	10k		MF, 1%, 0207	
0	C 20	59.34.4101	100p		CER 63V, 5%, N750	0	IC 19	50.17.1594		74HC594 IC ... 74 HC 594 , ,A	0	R 34	57.11.3103	10k		MF, 1%, 0207	
0	C 21	59.22.3470	47u		EL 10V, 20%, RMS	0	IC 20	50.14.0133		5555 IC HM 6284L-15 ,A	0	R 35	57.11.3102	1k0		MF, 1%, 0207	
0	C 22	59.06.0683	68n		PETP, 63V, 10%, RMS	0	IC 21	1.940.945.20		SW 520 MADO (50.14.2002)	0	R 36	57.11.3105	14M0		MF, 1%, 0207	
0	C 23	59.06.0103	10n		PETP, 63V, 10%, RMS	0	IC 22	50.16.0201		SCC2891 IC SCC2891 AE 1 N 24 ,A	0	R 37	57.11.3561	550R		MF, 1%, 0207	
0	C 24	59.06.0104	100n		PETP, 63V, 10%, RMS	0	IC 23	50.14.2103		HY93C48S EEPROM 84 * 16, serial	0	R 38	57.11.3473	47k		MF, 1%, 0207	
0	C 25	59.06.0103	10n		PETP, 63V, 10%, RMS	0	IC 24	50.17.0573		74HCT573 IC ... 74 HCT573 , ,A	0	R 39	57.11.3103	10k		MF, 1%, 0207	
0	C 26	59.06.0104	100n		PETP, 63V, 10%, RMS	0	IC 25	50.63.0009		80C552 8bit microcontroller	0	R 40	57.11.3473	47k		MF, 1%, 0207	
0	C 27	59.06.0104	100n		PETP, 63V, 10%, RMS	0	IC 26	50.17.1599		74HC589 MC 74 HC 589 N	0	R 41	57.11.3561	550R		MF, 1%, 0207	
0	C 28	not used	100n		PETP, 63V, 10%, RMS	0	IC 27	50.17.1589		74HC589 MC 74 HC 589 N	0	RZ 1	57.88.4102	8*1k		2%, SIP 9	
0	C 29	not used	100n		PETP, 63V, 10%, RMS	0	IC 28	50.15.0114		9637 Dual diff Line Receiver	0	RZ 2	57.88.4102	8*1k		2%, SIP 9	
0	C 30	59.32.4102	1n		C 1000 P, 20%, 50V, CER	0	IC 29	50.17.1904		74HCU04 IC ... 74 HCU 04 , ,A	0	RZ 3	57.88.4102	8*1k		2%, SIP 9	
0	C 31	59.32.4102	1n		C 1000 P, 20%, 50V, CER	0	IC 30	50.11.0159		MAX1232 IC MAX1232 CPA, DS 1232	0	RZ 4	57.88.4102	8*1k		2%, SIP 9	
0	C 32	59.32.4102	1n		C 1000 P, 20%, 50V, CER	1	L 1	62.02.3101		10uH 10%, radial RM 5	0	RZ 5	57.88.4102	8*1k		2%, SIP 9	
0	C 33	59.06.0104	100n		PETP, 63V, 10%, RMS	0	L 2	62.02.3100		10uH 10%, radial RM 5	0	RZ 6	57.88.4102	8*33k		2%, SIP 9	
0	C 34	59.22.6120	10u		EL 35V, 20%, RMS	0	L 3	62.02.3220		22uH 10%, radial RM 5	0	S 1	55.11.0223	SPST		Toggle on - none - on	
0	C 35	59.06.0103	10n		PETP, 63V, 10%, RMS	0	L 4	62.02.3100		10uH 10%, radial RM 5	0	S 2	55.03.0122	1*a		S 1 TASTE, 1*A, PRINT,IMPULS	
0	C 36	59.22.4221	220u		EL 16V, 20%, RMS	0	L 5	62.03.0001		10uH 1A Toroid Choque	0	T 1	63.15.0021			RF - Trafo	
0	C 37	59.06.0683	68n		PETP, 63V, 10%, RMS	0	L 6	62.02.3100		10uH 10%, radial RM 5	0	T 2	63.15.0021			RF - Trafo	
0	C 38	59.06.0683	68n		PETP, 63V, 10%, RMS	0	L 7	62.02.3100		10uH 10%, radial RM 5	0	T 3	not used			IMPULSTRANSFORMATOR	
0	C 39	59.06.0683	68n		PETP, 63V, 10%, RMS	0	MP 1	1.940.520.11		D18M MADO PCB	0	W 1	1.010.324.64	Wire		DRAHTRUECKE U, 4.3*10.2, 0.6	
0	C 40	59.22.4221	220u		EL 16V, 20%, RMS	0	MP 2	1.010.057.43		Baugruppenschild	0	W 2	1.010.324.64	Wire		DRAHTRUECKE U, 4.3*10.2, 0.6	
0	C 41	59.06.0103	10n		PETP, 63V, 10%, RMS	0	MP 3	43.01.0108		Label ESE-WARNSCHILD	0	XDL 1	50.20.2501	Spacer		LED-Sockel	
0	C 42	59.06.0683	68n		PETP, 63V, 10%, RMS	0	MP 4	1.101.001.20		Label TEXT-ETIK. 5*20 HARDWARE-20	0	XDL 2	50.20.2501	Spacer		LED-Sockel	
0	C 43	59.06.0104	100n		PETP, 63V, 10%, RMS	0	MP 5	1.010.117.81		Label TEXT-ETIK. 5*20 (T1.60A)	0	XF 1	53.03.0118			XF 5 * 20, PRINT-LIEGEND	
0	C 44	59.22.6120	10u		EL 35V, 20%, RMS	0	MP 6	1.010.015.50		Spacer ISOLIER-SCHIEBE BU TO 5	0	XIC 1	53.03.0168	8p		DIL 0.3", lot, gerade	
0	C 45	59.22.6120	10u		EL 35V, 20%, RMS	0	MP 7	1.010.015.50		Spacer QUARZ - ISOLIERPLATTE	0	XIC 2	53.03.2284	PLCC34p		PLCC-Socket 84p	
0	C 46	not used	47n		PETP, 63V, 10%, RMS	0	MP 8	89.01.1469	3 pcs	FRONTPLATTE	0	XIC 3	53.03.0182	24p		DIL 0.3", lot, gerade	
0	C 47	not used	1n		C 1000 P, 20%, 50V, CER	0	MP 9	1.940.530.01	1 pce	GRIFPENLAGE 4TE	0	XIC 4	53.03.2252	PLCC52p		PLCC-Socket 52p	
0	C 48	59.06.0683	68n		PETP, 63V, 10%, RMS	0	MP 10	1.940.600.04	1 pce	M2.5*12 Rändelstschraube (Rack)	0	XIC 5	53.03.0165	20p		DIL 0.3", lot, gerade	
0	C 49	59.06.0683	68n		PETP, 63V, 10%, RMS	0	MP 11	49.02.0520	2 pcs	M2.5*12 Metall-Buchse (Rack)	0	XIC 6	53.03.0165	20p		DIL 0.3", lot, gerade	
0	C 50	59.06.0683	68n		PETP, 63V, 10%, RMS	0	MP 12	49.02.0521	2 pcs	M2.5*12 Kartentritter (Rack)	0	XIC 7	53.03.0165	20p		DIL 0.3", lot, gerade	
0	C 51	59.06.0683	68n		PETP, 63V, 10%, RMS	0	MP 13	49.02.0522	2 pcs	M2.5*7 Senk-Scr. KS, Senkripp	0	XIC 8	53.03.0168	16p		DIL 0.3", lot, gerade	
0	C 52	59.06.0683	68n		PETP, 63V, 10%, RMS	0	MP 14	49.02.0523	2 pcs	M2.5*7 Frontplatten-Griff	0	XIC 9	53.03.0173	28p		DIL 0.8", lot, gerade	
0	C 53	59.06.0683	68n		PETP, 63V, 10%, RMS	0	MP 15	49.02.0504	1 pce	4TE	0	XIC 10	53.03.2244	PLCC44p		PLCC-Socket 44p	
0	C 54	59.06.0103	10n		PETP, 63V, 10%, RMS	0	MP 16	21.53.0279	2 pcs	Z - SCHR. IS , 2N , M2.5 * 6	0	XIC 11	53.03.0166	8p		DIL 0.3", lot, gerade	
0	C 55	59.06.0103	10n		PETP, 63V, 10%, RMS	0	MP 17	21.53.0279	2 pcs	Z - SCHR. IS , 2N , M2.5 * 6	0	XIC 12	53.03.0166	8p		DIL 0.3", lot, gerade	
0	C 56	59.34.2270	27p		CER 63V, 5%, N150	0	MP 18	21.53.0284	1 pce	ROHRNIETE D 2.5*0.15" 9	0	XIC 13	53.03.0166	8p		DIL 0.3", lot, gerade	
0	C 57	59.34.0359	3p3		CER 63V, 5%, P100	0	MP 19	28.99.0119	2 pcs		0	XIC 14	53.03.0166	8p		DIL 0.3", lot, gerade	
0	C 58	59.06.0103	10n		PETP, 63V, 10%, RMS	0	P 1	54.11.2009	96p	EU-R 3*32p	0	Y 1	89.01.1013	12.500MHz		12.500 000 MHz, HC 49/U	
0	C 59	59.22.6120	10u		EL 35V, 20%, RMS	0	P 2	54.02.0320	1p	Flatpin, 2.8*0.8mm	0	Y 2	89.01.1602	11.288MHz		TCXO Xtal-Oscillator temp comp	
0	C 60	59.06.0683	68n		PETP, 63V, 10%, RMS	0	P 3	54.02.0320	1p	Flatpin, 2.8*0.8mm	0	Y 3	89.01.1601	12.288MHz		TCXO Xtal-Oscillator temp comp	
0	C 61	59.06.0683	68n		PETP, 63V, 10%, RMS	0	P 4	54.01.0020	1p	Pin 0.63*0.63	0	Y 4	89.01.1014	12.000MHz		12.000 000 MHz, HC 49/U	
0	C 62	59.06.0683	68n		PETP, 63V, 10%, RMS	0	P 5	54.01.0020	1p	Pin 0.63*0.63	0	Y 5	89.01.1002	3.696MHz		3.696 400 MHz, HC 18/U	
0	C 63	59.06.0683	68n		PETP, 63V, 10%, RMS	0	P 6	54.01.0020	1p	Pin 0.63*0.63	0						
0	C 64																

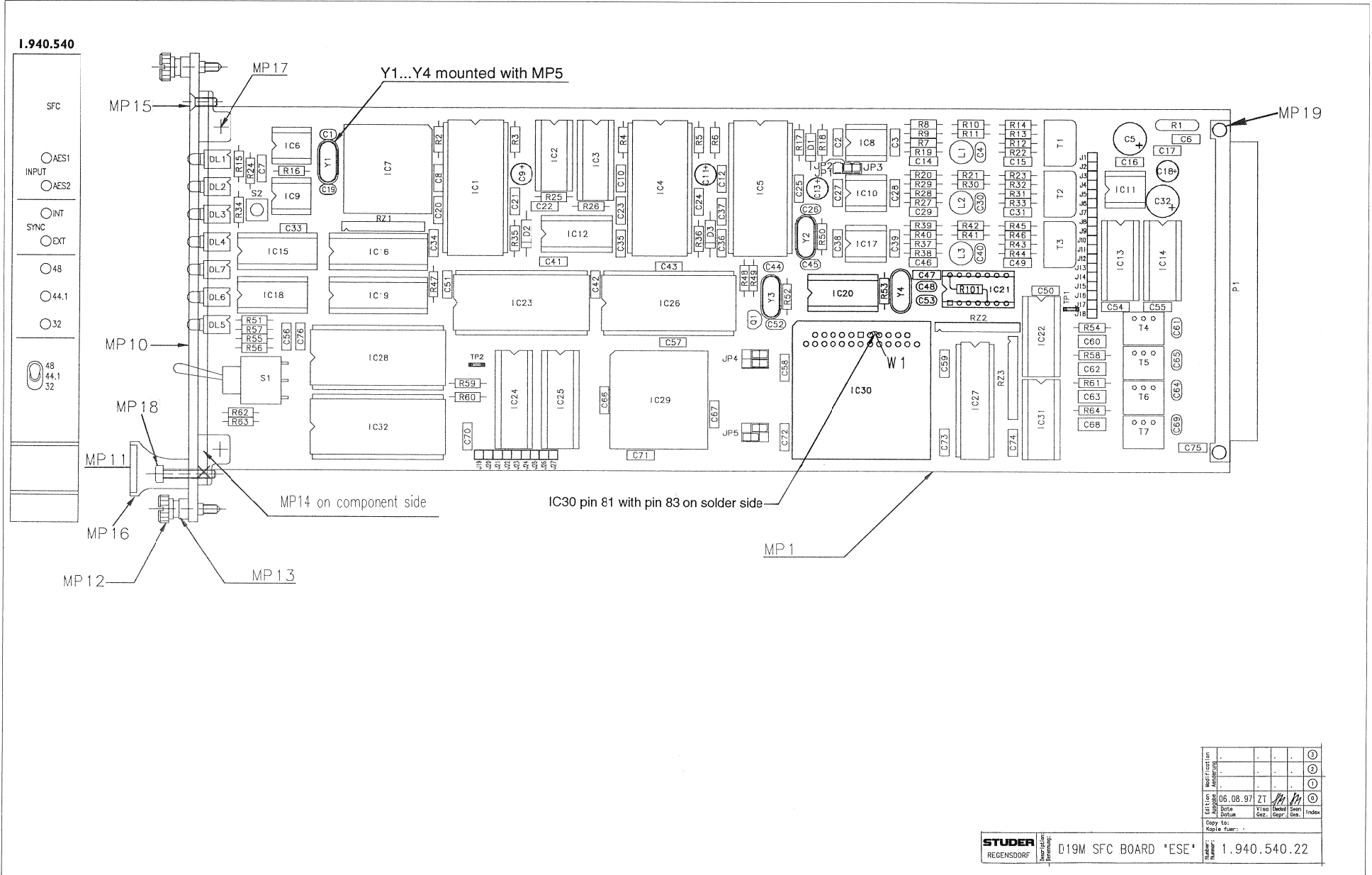


D19M SFC Board 1.940.540.22





DI9M SFC Board I.940.540.22



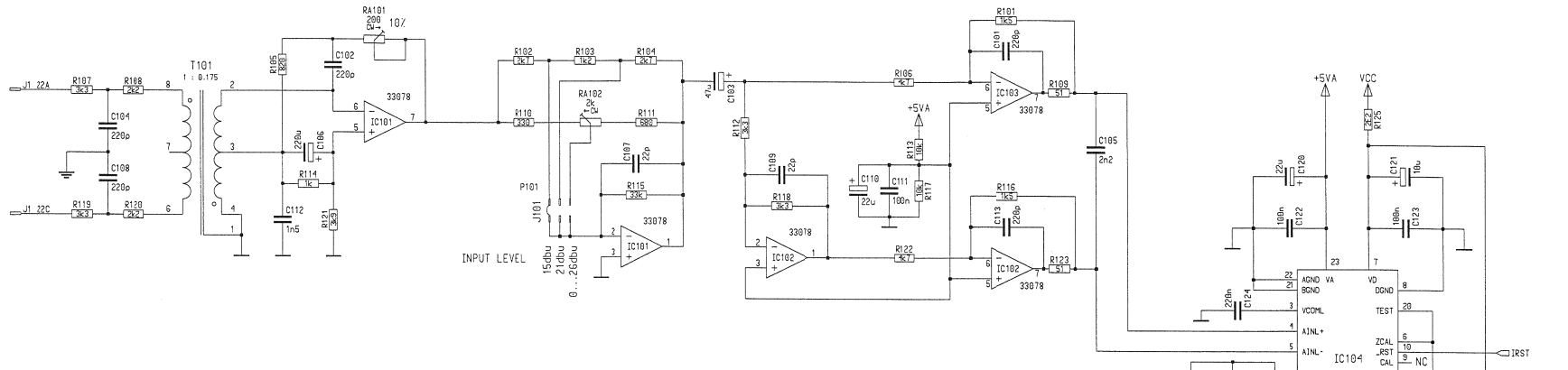
File Name	Rev./Location
Design	06.08.97	ZT						
Drawn								
Checked								
Copy to:								
Maple								

STUDER REGENSDORF
 Name: DI9M SFC BOARD "ESE"
 Number: I.940.540.22

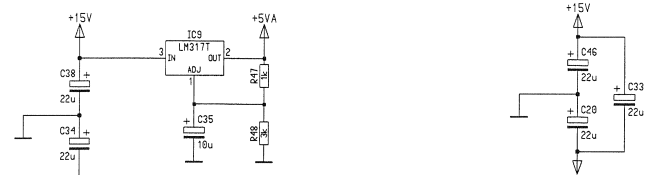
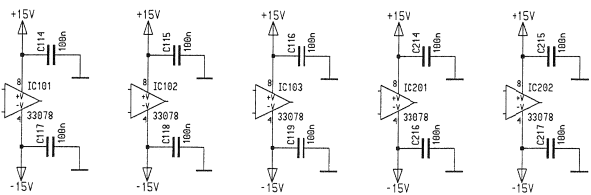
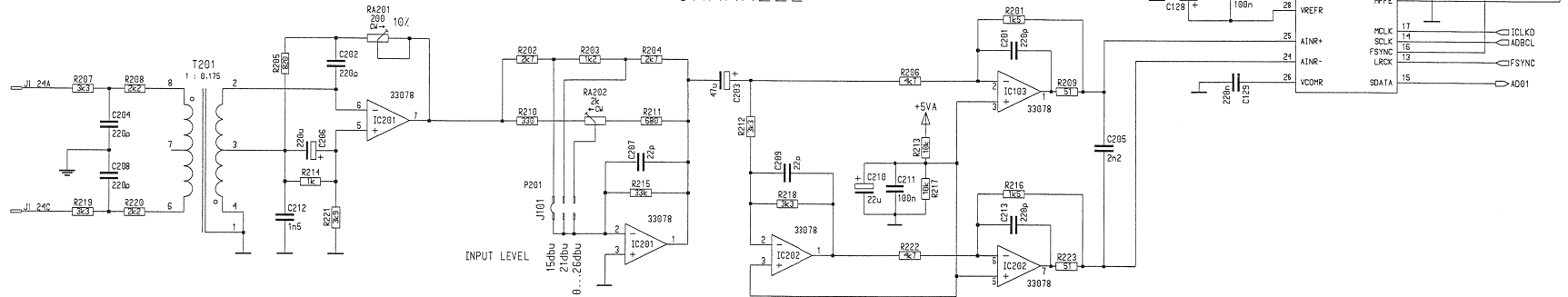
D19M 24 Bit AD Board 1.940.562.20
 D19M 24 Bit AD / ND Board 1.940.563.20



CHANNEL 1



CHANNEL 2

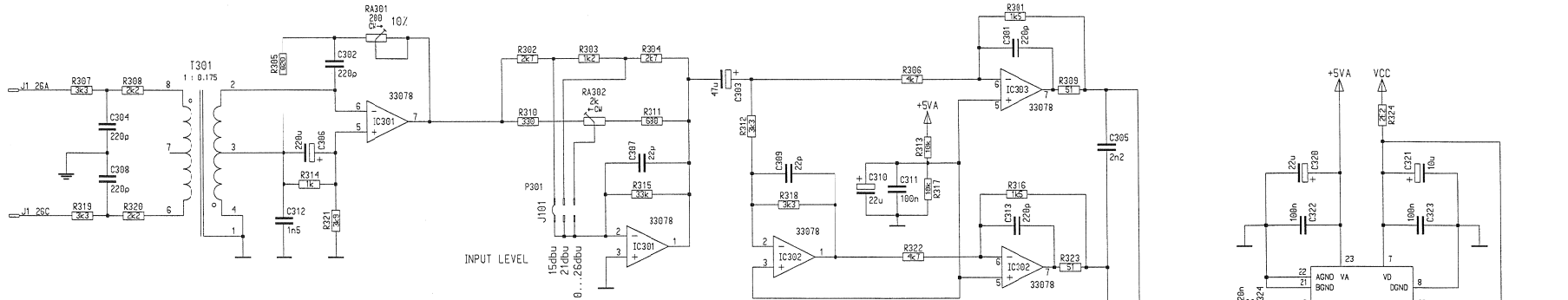


03.09.98	ZT	D19M	PAGE 1 OF 5
STUDER		D19M 24BIT AD BOARD	1.940.562.20
		D19M 24BIT AD NS BOARD	1.940.563.20
		SC	

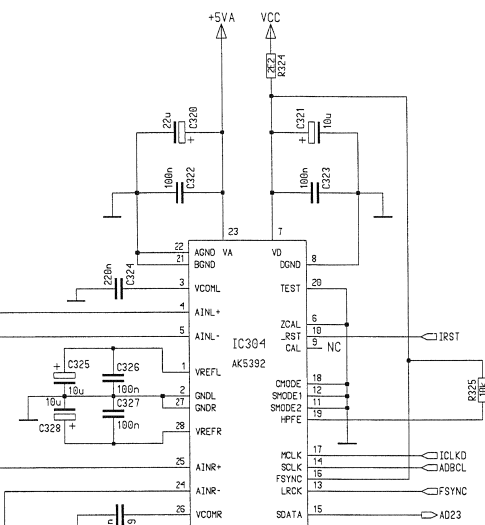
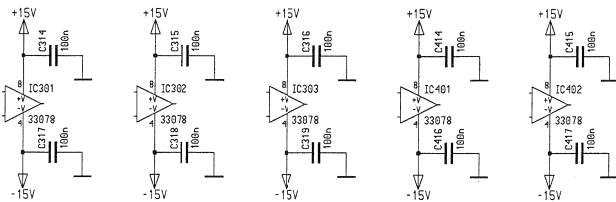
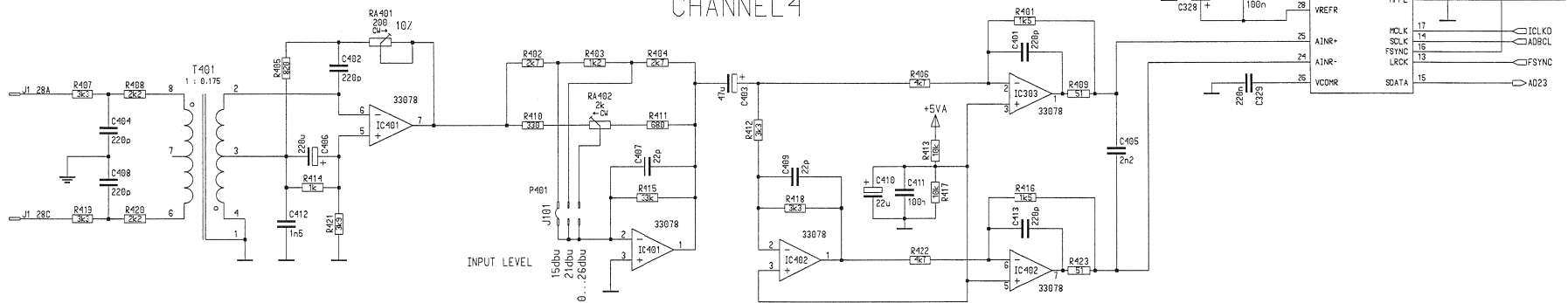


D19M 24 Bit AD Board 1.940.562.20
 D19M 24 Bit AD / ND Board 1.940.563.20

CHANNEL 3

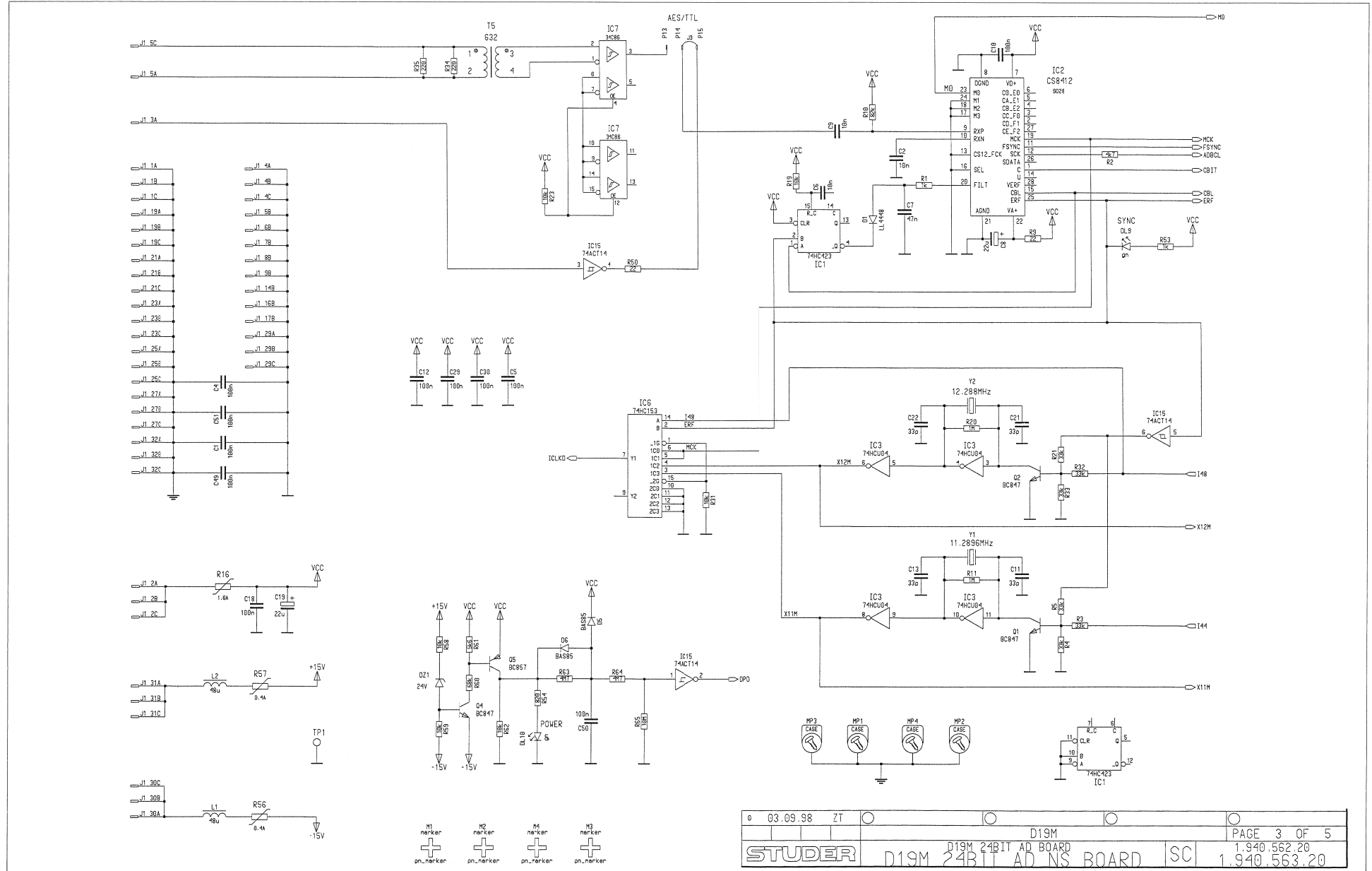


CHANNEL 4



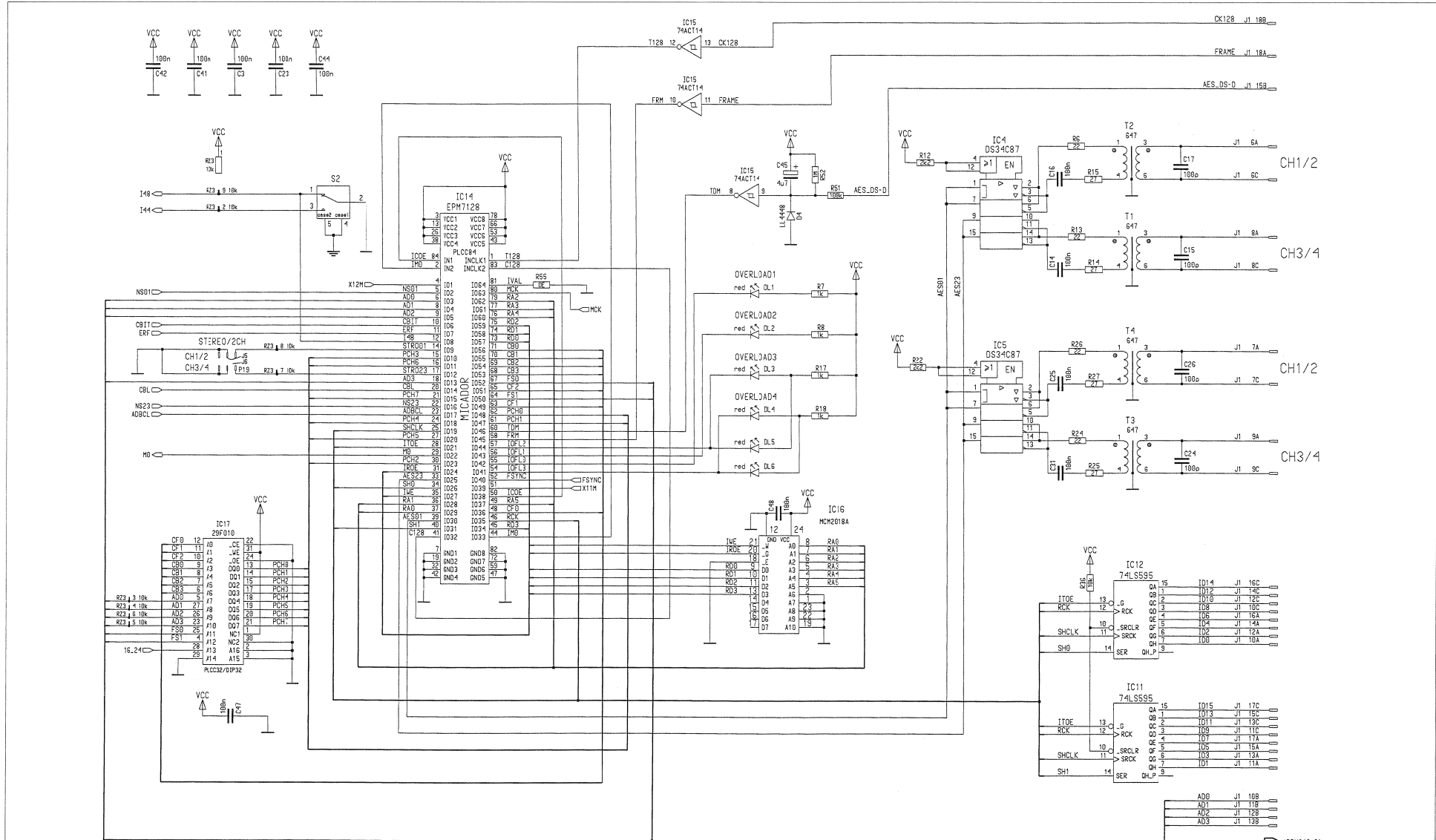
03.09.98	ZT				
STUDER			D19M 24BIT AD BOARD		PAGE 2 OF 5
D19M 24BIT AD NS BOARD			SC	1.940.562.20	1.940.563.20

D19M 24 Bit AD Board 1.940.562.20
 D19M 24 Bit AD / ND Board 1.940.563.20





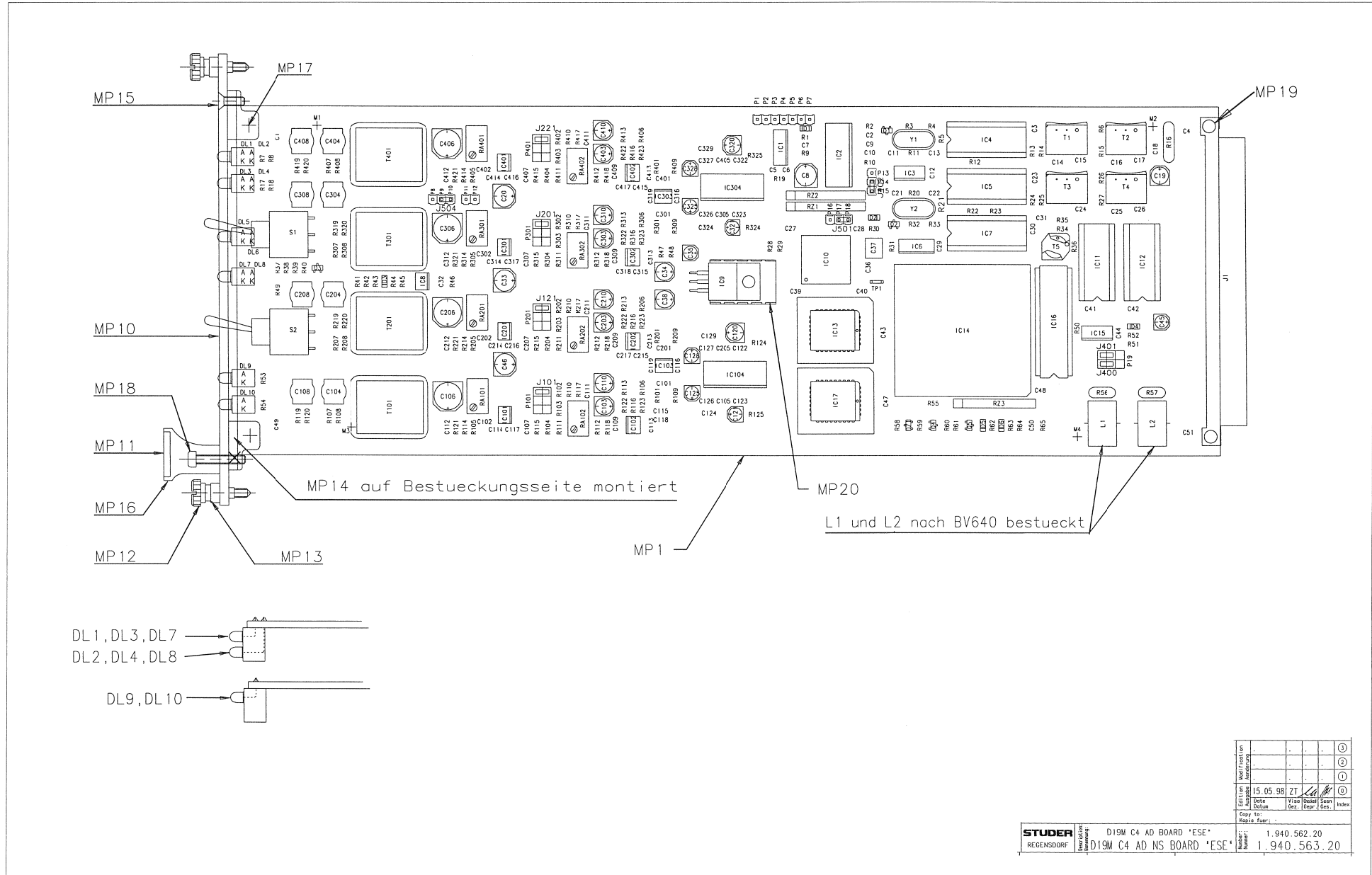
D19M 24 Bit AD Board 1.940.562.20
 D19M 24 Bit AD / ND Board 1.940.563.20



03.09.98	ZT	D19M	PAGE 4 OF 5
STUDER		D19M 24BIT AD BOARD	1.940.562.20
		D19M 24BIT AD NS BOARD	1.940.563.20
		SC	



D19M 24 Bit AD Board 1.940.562.20
 D19M 24 Bit AD / ND Board 1.940.563.20



Revision					
Change					
Date	15.05.98	ZT			
Drawn					
Checked					
Approved					

STUDER	D19M C4 AD BOARD *ESE*	1.940.562.20
REGENSDORF	D19M C4 AD NS BOARD *ESE*	1.940.563.20



DI9M 24 Bit AD Board I.940.562.20

Iidx	Pos.	Part No.	Qty.	Type/Val.	Description	Iidx	Pos.	Part No.	Qty.	Type/Val.	Description
0	C 1	59.60.3337	100n		CER 50V, 10%, X7R, 0805	0	C 207	59.60.2233	22p		CER 50V, 5%, COG, 0603
0	C 2	59.60.3325	10n		CER 50V, 10%, X7R, 0805	0	C 208	59.05.1221	220p		PP, 1%, 630V
0	C 3	59.60.3337	100n		CER 50V, 10%, X7R, 0805	0	C 209	59.60.2233	22p		CER 50V, 5%, COG, 0603
0	C 4	59.60.3337	100n		CER 50V, 10%, X7R, 0805	0	C 210	59.68.0067	22u		C-EL 16V, 5.0*5.7
0	C 5	59.60.3337	100n		CER 50V, 10%, X7R, 0805	0	C 211	59.60.3337	100n		CER 50V, 10%, X7R, 0805
0	C 6	59.60.3325	10n		CER 50V, 10%, X7R, 0805	0	C 212	59.60.3315	1n5		CER 50V, 10%, X7R, 0805
0	C 7	59.60.3333	47n		CER 50V, 10%, X7R, 0805	0	C 213	59.60.2257	220p		CER 50V, 5%, COG, 0603
0	C 8	59.68.0111	22u		C-EL 35V, 6.3*5.7	0	C 214	59.60.3337	100n		CER 50V, 10%, X7R, 0805
0	C 9	59.60.3325	10n		CER 50V, 10%, X7R, 0805	0	C 215	59.60.3337	100n		CER 50V, 10%, X7R, 0805
0	C 10	59.60.3337	100n		CER 50V, 10%, X7R, 0805	0	C 216	59.60.3337	100n		CER 50V, 10%, X7R, 0805
0	C 11	59.60.2237	33p		CER 50V, 5%, COG, 0603	0	C 217	59.60.3337	100n		CER 50V, 10%, X7R, 0805
0	C 12	59.60.3337	100n		CER 50V, 10%, X7R, 0805	0	C 301	59.60.2257	220p		CER 50V, 5%, COG, 0603
0	C 13	59.60.2237	33p		CER 50V, 5%, COG, 0603	0	C 302	59.60.2257	220p		CER 50V, 5%, COG, 0603
0	C 14	59.60.3337	100n		CER 50V, 10%, X7R, 0805	0	C 303	59.68.0027	47u		C-EL 6V, 5.0*5.7
0	C 15	59.60.2249	100p		CER 50V, 5%, COG, 0603	0	C 304	59.05.1221	220p		PP, 1%, 630V
0	C 16	59.60.3337	100n		CER 50V, 10%, X7R, 0805	0	C 305	59.60.3317	2n2		CER 50V, 10%, X7R, 0805
0	C 17	59.60.2249	100p		CER 50V, 5%, COG, 0603	0	C 306	59.68.0073	220u		C-EL 16V, 8.0*10.7
0	C 18	59.60.3337	100n		CER 50V, 10%, X7R, 0805	0	C 307	59.60.2233	22p		CER 50V, 5%, COG, 0603
0	C 19	59.68.0067	22u		C-EL 16V, 5.0*5.7	0	C 308	59.05.1221	220p		PP, 1%, 630V
0	C 20	59.68.0111	22u		C-EL 35V, 6.3*5.7	0	C 309	59.60.2233	22p		CER 50V, 5%, COG, 0603
0	C 21	59.60.2237	33p		CER 50V, 5%, COG, 0603	0	C 310	59.68.0067	22u		C-EL 16V, 5.0*5.7
0	C 22	59.60.2237	33p		CER 50V, 5%, COG, 0603	0	C 311	59.60.3337	100n		CER 50V, 10%, X7R, 0805
0	C 23	59.60.3337	100n		CER 50V, 10%, X7R, 0805	0	C 312	59.60.3315	1n5		CER 50V, 10%, X7R, 0805
0	C 24	59.60.2249	100p		CER 50V, 5%, COG, 0603	0	C 313	59.60.2257	220p		CER 50V, 5%, COG, 0603
0	C 25	59.60.3337	100n		CER 50V, 10%, X7R, 0805	0	C 314	59.60.3337	100n		CER 50V, 10%, X7R, 0805
0	C 26	59.60.2249	100p		CER 50V, 5%, COG, 0603	0	C 315	59.60.3337	100n		CER 50V, 10%, X7R, 0805
0	C 27	59.60.3337	100n		CER 50V, 10%, X7R, 0805	0	C 316	59.60.3337	100n		CER 50V, 10%, X7R, 0805
0	C 28	59.60.3337	100n		CER 50V, 10%, X7R, 0805	0	C 317	59.60.3337	100n		CER 50V, 10%, X7R, 0805
0	C 29	59.60.3337	100n		CER 50V, 10%, X7R, 0805	0	C 318	59.60.3337	100n		CER 50V, 10%, X7R, 0805
0	C 30	59.60.3337	100n		CER 50V, 10%, X7R, 0805	0	C 319	59.60.3337	100n		CER 50V, 10%, X7R, 0805
0	C 31	59.60.3337	100n		CER 50V, 10%, X7R, 0805	0	C 320	59.68.0067	22u		C-EL 16V, 5.0*5.7
0	C 32	59.60.3337	100n		CER 50V, 10%, X7R, 0805	0	C 321	59.68.0065	10u		C-EL 16V, 4.0*5.7
0	C 33	59.68.0111	22u		C-EL 35V, 6.3*5.7	0	C 322	59.60.3337	100n		CER 50V, 10%, X7R, 0805
0	C 34	59.68.0067	22u		C-EL 16V, 5.0*5.7	0	C 323	59.60.3337	100n		CER 50V, 10%, X7R, 0805
0	C 35	59.68.0065	10u		C-EL 16V, 4.0*5.7	0	C 324	59.60.3441	220n		CER 50V, 10%, X7R, 1206
0	C 36	not used	100n		CER 50V, 10%, X7R, 0805	0	C 325	59.68.0065	10u		C-EL 16V, 4.0*5.7
0	C 37	not used	470n		CER 50V, 10%, X7R, 2220	0	C 326	59.60.3337	100n		CER 50V, 10%, X7R, 0805
0	C 38	59.68.0067	22u		C-EL 16V, 5.0*5.7	0	C 327	59.60.3337	100n		CER 50V, 10%, X7R, 0805
0	C 39	59.60.3337	100n		CER 50V, 10%, X7R, 0805	0	C 328	59.68.0065	10u		C-EL 16V, 4.0*5.7
0	C 40	59.60.3337	100n		CER 50V, 10%, X7R, 0805	0	C 329	59.60.3441	220n		CER 50V, 10%, X7R, 1206
0	C 41	59.60.3337	100n		CER 50V, 10%, X7R, 0805	0	C 401	59.60.2257	220p		CER 50V, 5%, COG, 0603
0	C 42	59.60.3337	100n		CER 50V, 10%, X7R, 0805	0	C 402	59.60.2257	220p		CER 50V, 5%, COG, 0603
0	C 43	59.60.3337	100n		CER 50V, 10%, X7R, 0805	0	C 403	59.68.0027	47u		C-EL 6V, 5.0*5.7
0	C 44	59.60.3337	100n		CER 50V, 10%, X7R, 0805	0	C 404	59.05.1221	220p		PP, 1%, 630V
0	C 45	59.68.0107	4u7		C-EL 35V, 4.0*5.7	0	C 405	59.60.3317	2n2		CER 50V, 10%, X7R, 0805
0	C 46	59.68.0111	22u		C-EL 35V, 6.3*5.7	0	C 406	59.68.0073	220u		C-EL 16V, 8.0*10.7
0	C 47	59.60.3337	100n		CER 50V, 10%, X7R, 0805	0	C 407	59.60.2233	22p		CER 50V, 5%, COG, 0603
0	C 48	59.60.3337	100n		CER 50V, 10%, X7R, 0805	0	C 408	59.05.1221	220p		PP, 1%, 630V
0	C 49	59.60.3337	100n		CER 50V, 10%, X7R, 0805	0	C 409	59.60.2233	22p		CER 50V, 5%, COG, 0603
0	C 50	59.60.3337	100n		CER 50V, 10%, X7R, 0805	0	C 410	59.68.0067	22u		C-EL 16V, 5.0*5.7
0	C 51	59.60.3337	100n		CER 50V, 10%, X7R, 0805	0	C 411	59.60.3337	100n		CER 50V, 10%, X7R, 0805
0	C 101	59.60.2257	220p		CER 50V, 5%, COG, 0603	0	C 412	59.60.3315	1n5		CER 50V, 10%, X7R, 0805
0	C 102	59.60.2257	220p		CER 50V, 5%, COG, 0603	0	C 413	59.60.2257	220p		CER 50V, 5%, COG, 0603
0	C 103	59.68.0027	47u		C-EL 6V, 5.0*5.7	0	C 414	59.60.3337	100n		CER 50V, 10%, X7R, 0805
0	C 104	59.05.1221	220p		PP, 1%, 630V	0	C 415	59.60.3337	100n		CER 50V, 10%, X7R, 0805
0	C 105	59.60.3317	2n2		CER 50V, 10%, X7R, 0805	0	C 416	59.60.3337	100n		CER 50V, 10%, X7R, 0805
0	C 106	59.68.0073	220u		C-EL 16V, 8.0*10.7	0	C 417	59.60.3337	100n		CER 50V, 10%, X7R, 0805
0	C 107	59.60.2233	22p		CER 50V, 5%, COG, 0603	0	D 1	50.60.8001	4448		200mA 75V 4ns SOD 80
0	C 108	59.05.1221	220p		PP, 1%, 630V	0	D 2	not used	BAS85		200mA 30V Schottky SOD 80
0	C 109	59.60.2233	22p		CER 50V, 5%, COG, 0603	0	D 3	not used	BAS85		200mA 30V Schottky SOD 80
0	C 110	59.68.0067	22u		C-EL 16V, 5.0*5.7	0	D 4	50.60.8001	4448		200mA 75V 4ns SOD 80
0	C 111	59.60.3337	100n		CER 50V, 10%, X7R, 0805	0	D 5	50.60.8101	BAS85		200mA 30V Schottky SOD 80
0	C 112	59.60.3315	1n5		CER 50V, 10%, X7R, 0805	0	D 6	50.60.8101	BAS85		200mA 30V Schottky SOD 80
0	C 113	59.60.2257	220p		CER 50V, 5%, COG, 0603	0	DL 1	50.04.2200	HLMP1700		DL HLMP - 1700 RT
0	C 114	59.60.3337	100n		CER 50V, 10%, X7R, 0805	0	DL 2	50.04.2200	HLMP1700		DL HLMP - 1700 RT
0	C 115	59.60.3337	100n		CER 50V, 10%, X7R, 0805	0	DL 3	not used	HLMP1700		DL HLMP - 1700 RT
0	C 116	59.60.3337	100n		CER 50V, 10%, X7R, 0805	0	DL 4	not used	HLMP1700		DL HLMP - 1700 RT
0	C 117	59.60.3337	100n		CER 50V, 10%, X7R, 0805	0	DL 5	50.04.2200	HLMP1700		DL HLMP - 1700 RT
0	C 118	59.60.3337	100n		CER 50V, 10%, X7R, 0805	0	DL 6	50.04.2200	HLMP1700		DL HLMP - 1700 RT
0	C 119	59.60.3337	100n		CER 50V, 10%, X7R, 0805	0	DL 7	not used	HLMP1719		DL HLMP - 1719 GB
0	C 120	59.68.0067	22u		C-EL 16V, 5.0*5.7	0	DL 8	not used	HLMP1790		DL HLMP - 1790 GN
0	C 121	59.68.0065	10u		C-EL 16V, 4.0*5.7	0	DL 9	50.04.2202	HLMP1790		DL HLMP - 1790 GN
0	C 122	59.60.3337	100n		CER 50V, 10%, X7R, 0805	0	DL 10	50.04.2202	HLMP1790		DL HLMP - 1790 GN
0	C 123	59.60.3337	100n		CER 50V, 10%, X7R, 0805	0	DZ 1	50.60.9026	24V		5%, 0.2W, SOT 23
0	C 124	59.60.3441	220n		CER 50V, 10%, X7R, 1206	0	IC 1	50.62.1423	74HC423		Dual multivibr monost retri
0	C 125	59.68.0065	10u		C-EL 16V, 4.0*5.7	0	IC 2	50.62.0913	CS8412		AES-Receiver
0	C 126	59.60.3337	100n		CER 50V, 10%, X7R, 0805	0	IC 3	50.62.1904	74HCU04		Hex inverter unbuffered
0	C 127	59.60.3337	100n		CER 50V, 10%, X7R, 0805	0	IC 4	50.15.0127	34C87		IC DS 34 C 87 TN, MC34C87P ,A
0	C 128	59.68.0065	10u		C-EL 16V, 4.0*5.7	0	IC 5	50.15.0127	34C87		IC DS 34 C 87 TN, MC34C87P ,A
0	C 129	59.60.3441	220n		CER 50V, 10%, X7R, 1206	0	IC 6	50.62.1153	74HC153		Dual 4ch multiplexer
0	C 201	59.60.2257	220p		CER 50V, 5%, COG, 0603	0	IC 7	50.15.0128	34C86		IC DS 34 C 86 TN, MC34C86P ,A
0	C 202	59.60.2257	220p		CER 50V, 5%, COG, 0603	0	IC 8	not used	LM393		Dual voltage comp. SO 8
0	C 203	59.68.0027	47u		C-EL 6V, 5.0*5.7						
0	C 204	59.05.1221	220p		PP, 1%, 630V						
0	C 205	59.60.3317	2n2		CER 50V, 10%, X7R, 0805						
0	C 206	59.68.0073	220u		C-EL 16V, 8.0*10.7						



D19M 24 Bit AD Board I.940.562.20

Idx	Pos.	Part No.	Qty.	Type/Val.	Description	Idx	Pos.	Part No.	Qty.	Type/Val.	Description
0	IC 9	60.10.0104		LM317SP	IC LM 317 SP, ..T,	0	R 5	57.60.1333		33K	MF, 1%, 0204, E24
0	IC 10	not used		56004	DSP 56 004 40MHz	0	R 6	57.60.1220		22R	MF, 1%, 0204, E24
0	IC 11	50.06.0595		74LS595	IC SN 74 LS 595 N	0	R 7	57.60.1102		1K	MF, 1%, 0204, E24
0	IC 12	50.06.0595		74LS595	IC SN 74 LS 595 N	0	R 8	57.60.1102		1K	MF, 1%, 0204, E24
0	IC 13	not used		29F010	Flash Memory 128K*8	0	R 9	57.60.1220		22R	MF, 1%, 0204, E24
0	IC 14	1.940.949.20			SW 562 MICADOR (50.63.4205)	0	R 10	57.60.1823		82K	MF, 1%, 0204, E24
0	IC 15	50.62.6014		74ACT 14	Hex inverting Schmitt trigger	0	R 11	57.60.1105		1M	MF, 1%, 0204, E24
0	IC 16	50.14.1009		7C128A	SRAM 2K*8 35ns	0	R 12	57.60.1222		2K2	MF, 1%, 0204, E24
0	IC 17	1.940.948.20			SW 562 ADCBIT 24 (50.63.1303)	0	R 13	57.60.1220		22R	MF, 1%, 0204, E24
0	IC 101	50.61.0204		MC33078	Dual Op-Amp low noise	0	R 14	57.60.1270		27R	MF, 1%, 0204, E24
0	IC 102	50.61.0204		MC33078	Dual Op-Amp low noise	0	R 15	57.60.1270		27R	MF, 1%, 0204, E24
0	IC 103	50.61.0204		MC33078	Dual Op-Amp low noise	0	R 16	57.92.7053		1.6A	POLY- PTC, 30V
0	IC 104	50.61.8105		AK5392	Delta Sigma 24bit ADConv SOP28	0	R 17	57.60.1102		1K	MF, 1%, 0204, E24
0	IC 201	50.61.0204		MC33078	Dual Op-Amp low noise	0	R 18	57.60.1102		1K	MF, 1%, 0204, E24
0	IC 202	50.61.0204		MC33078	Dual Op-Amp low noise	0	R 19	57.60.1103		10K	MF, 1%, 0204, E24
0	IC 301	50.61.0204		MC33078	Dual Op-Amp low noise	0	R 20	57.60.1105		1M	MF, 1%, 0204, E24
0	IC 302	50.61.0204		MC33078	Dual Op-Amp low noise	0	R 21	57.60.1333		33K	MF, 1%, 0204, E24
0	IC 303	50.61.0204		MC33078	Dual Op-Amp low noise	0	R 22	57.60.1222		2K2	MF, 1%, 0204, E24
0	IC 304	50.61.8105		AK5392	Delta Sigma 24bit ADConv SOP28	0	R 23	57.60.1103		10K	MF, 1%, 0204, E24
0	IC 401	50.61.0204		MC33078	Dual Op-Amp low noise	0	R 24	57.60.1220		22R	MF, 1%, 0204, E24
0	IC 402	50.61.0204		MC33078	Dual Op-Amp low noise	0	R 25	57.60.1270		27R	MF, 1%, 0204, E24
						0	R 26	57.60.1220		22R	MF, 1%, 0204, E24
						0	R 27	57.60.1270		27R	MF, 1%, 0204, E24
0	J 1	54.11.2009		96p	EU-R 3*32p	0	R 28	57.60.1000		0R0	MF, 0204
0	J 2	not used		Jumper	0.63 * 0.63mm	0	R 29	57.60.1000		0R0	MF, 0204
0	J 3	54.01.0021		Jumper	0.63 * 0.63mm	0	R 30	not used		10K	MF, 1%, 0204, E24
0	J 4	not used		Jumper	0.63 * 0.63mm	0	R 31	57.60.1103		10K	MF, 1%, 0204, E24
0	J 5	54.01.0021		Jumper	0.63 * 0.63mm	0	R 32	57.60.1333		33K	MF, 1%, 0204, E24
0	J 6	54.01.0021		Jumper	0.63 * 0.63mm	0	R 33	57.60.1333		33K	MF, 1%, 0204, E24
0	J 101	54.01.0021		Jumper	0.63 * 0.63mm	0	R 34	57.60.1221		220R	MF, 1%, 0204, E24
0	J 201	54.01.0021		Jumper	0.63 * 0.63mm	0	R 35	57.60.1221		220R	MF, 1%, 0204, E24
0	J 301	54.01.0021		Jumper	0.63 * 0.63mm	0	R 36	57.60.1103		10K	MF, 1%, 0204, E24
0	J 401	54.01.0021		Jumper	0.63 * 0.63mm	0	R 37	not used		1K	MF, 1%, 0204, E24
						0	R 38	not used		560R	MF, 1%, 0204, E24
0	L 1	62.03.0010		48uH	2A Toroid Chocke	0	R 39	not used		10K	MF, 1%, 0204, E24
0	L 2	62.03.0010		48uH	2A Toroid Chocke	0	R 40	not used		10K	MF, 1%, 0204, E24
						0	R 41	57.60.1103		10K	MF, 1%, 0204, E24
0	MP 1	1.940.562.11			D19M 24 BIT AD BOARD PCB	0	R 42	not used		10K	MF, 1%, 0204, E24
0	MP 2	1.940.562.04			TYPENSCHILD	0	R 43	not used		220R	MF, 1%, 0204, E24
0	MP 3	43.01.0108		Label	ESE-WARNSCHILD	0	R 44	not used		22K	MF, 1%, 0204, E24
0	MP 4	1.101.001.20		Label	TEXT-ETIK. 5*20 HARDWARE -20	0	R 45	not used		10K	MF, 1%, 0204, E24
0	MP 10	1.940.562.01	1 pce		FRONTPLATTE C4AD 24BIT	0	R 46	not used		1M	MF, 1%, 0204, E24
0	MP 11	1.940.800.04	1 pce		GRIFFEINLAGE 4TE	0	R 47	57.60.1102		1K	MF, 1%, 0204, E24
0	MP 12	49.02.0520	2 pcs	M2.5*12	Rändelschraube (Rack)	0	R 48	57.60.1302		3K0	MF, 1%, 0204, E24
0	MP 13	49.02.0521	2 pcs		Metal-Buchse (Rack)	0	R 49	not used		1K	MF, 1%, 0204, E24
0	MP 14	49.02.0522	2 pcs		Kartenhalter (Rack)	0	R 50	57.60.1220		22R	MF, 1%, 0204, E24
0	MP 15	49.02.0523	1 pce	M2.5*7	Senk-Schr, KS, Senkripp	0	R 51	57.60.1104		100K	MF, 1%, 0204, E24
0	MP 16	49.02.0504	1 pce	4TE	Frontplatten-Griff	0	R 52	57.60.1105		1M	MF, 1%, 0204, E24
0	MP 17	21.53.0279	2 pcs	M2.5*6	Z-Schraube Inbus Zn gb chr	0	R 53	57.60.1102		1K	MF, 1%, 0204, E24
0	MP 18	21.53.0284	1 pce	M2.5*16	Z-Schraube Inbus Zn gb chr	0	R 54	57.60.1821		820R	MF, 1%, 0204, E24
0	MP 19	28.99.0119	2 pcs		ROHRNIETE D 2.5*0.15* 9	0	R 55	57.60.1000		0R0	MF, 0204
0	MP 20	50.20.3004			Kühlkörper, TO 220, horizontal	0	R 56	57.92.7019		0.4A	POLY- PTC, 60V
						0	R 57	57.92.7019		0.4A	POLY- PTC, 60V
0	P 1	not used		1p	Pin 0.63*0.63	0	R 58	57.60.1103		10K	MF, 1%, 0204, E24
0	P 2	not used		1p	Pin 0.63*0.63	0	R 59	57.60.1103		10K	MF, 1%, 0204, E24
0	P 3	not used		1p	Pin 0.63*0.63	0	R 60	57.60.1683		68K	MF, 1%, 0204, E24
0	P 4	not used		1p	Pin 0.63*0.63	0	R 61	57.60.1562		5K6	MF, 1%, 0204, E24
0	P 5	not used		1p	Pin 0.63*0.63	0	R 62	57.60.1103		10K	MF, 1%, 0204, E24
0	P 6	not used		1p	Pin 0.63*0.63	0	R 63	57.60.1475		4M7	MF, 1%, 0204, E24
0	P 7	not used		1p	Pin 0.63*0.63	0	R 64	57.60.1475		4M7	MF, 1%, 0204, E24
0	P 8	not used		1p	Pin 0.63*0.63	0	R 65	57.60.1106		10M	MF, 1%, 0204, E24
0	P 9	not used		1p	Pin 0.63*0.63	0	R 101	57.60.1152		1K5	MF, 1%, 0204, E24
0	P 10	not used		1p	Pin 0.63*0.63	0	R 102	57.60.1272		2K7	MF, 1%, 0204, E24
0	P 11	not used		1p	Pin 0.63*0.63	0	R 103	57.60.1122		1K2	MF, 1%, 0204, E24
0	P 12	not used		1p	Pin 0.63*0.63	0	R 104	57.60.1272		2K7	MF, 1%, 0204, E24
0	P 13	54.01.0020		1p	Pin 0.63*0.63	0	R 106	57.60.1821		820R	MF, 1%, 0204, E24
0	P 14	54.01.0020		1p	Pin 0.63*0.63	0	R 106	57.60.1472		4K7	MF, 1%, 0204, E24
0	P 15	54.01.0020		1p	Pin 0.63*0.63	0	R 107	57.60.1332		3K3	MF, 1%, 0204, E24
0	P 16	not used		1p	Pin 0.63*0.63	0	R 108	57.60.1222		2K2	MF, 1%, 0204, E24
0	P 17	not used		1p	Pin 0.63*0.63	0	R 109	57.60.1510		51R	MF, 1%, 0204, E24
0	P 18	not used		1p	Pin 0.63*0.63	0	R 110	57.60.1331		330R	MF, 1%, 0204, E24
0	P 19	54.11.0136		2*3p	Pin 0.63*0.63, RM2.54	0	R 111	57.60.1681		680R	MF, 1%, 0204, E24
0	P 101	54.11.0136		2*3p	Pin 0.63*0.63, RM2.54	0	R 112	57.60.1332		3K3	MF, 1%, 0204, E24
0	P 201	54.11.0136		2*3p	Pin 0.63*0.63, RM2.54	0	R 113	57.60.1103		10K	MF, 1%, 0204, E24
0	P 301	54.11.0136		2*3p	Pin 0.63*0.63, RM2.54	0	R 114	57.60.1102		1K	MF, 1%, 0204, E24
0	P 401	54.11.0136		2*3p	Pin 0.63*0.63, RM2.54	0	R 115	57.60.1333		33K	MF, 1%, 0204, E24
						0	R 116	57.60.1152		1K5	MF, 1%, 0204, E24
0	Q 1	50.60.0001		BC847B	NPN 45V 100mA SOT 23	0	R 117	57.60.1103		10K	MF, 1%, 0204, E24
0	Q 2	50.60.0001		BC847B	NPN 45V 100mA SOT 23	0	R 118	57.60.1332		3K3	MF, 1%, 0204, E24
0	Q 3	not used		BC847B	NPN 45V 100mA SOT 23	0	R 119	57.60.1332		3K3	MF, 1%, 0204, E24
0	Q 4	50.60.0001		BC847B	NPN 45V 100mA SOT 23	0	R 120	57.60.1222		2K2	MF, 1%, 0204, E24
0	Q 5	50.60.1001		BC857B	PNP 45V 100mA SOT 23	0	R 121	57.60.1392		3K9	MF, 1%, 0204, E24
						0	R 122	57.60.1472		4K7	MF, 1%, 0204, E24
0	R 1	57.60.1102		1K	MF, 1%, 0204, E24	0	R 123	57.60.1510		51R	MF, 1%, 0204, E24
0	R 2	57.60.1472		4K7	MF, 1%, 0204, E24	0	R 124	57.60.1103		10K	MF, 1%, 0204, E24
0	R 3	57.60.1333		33K	MF, 1%, 0204, E24	0	R 125	57.60.1229		2R2	MF, 1%, 0204, E24
0	R 4	57.60.1333		33K	MF, 1%, 0204, E24						



DI9M 24 Bit AD Board I.940.562.20

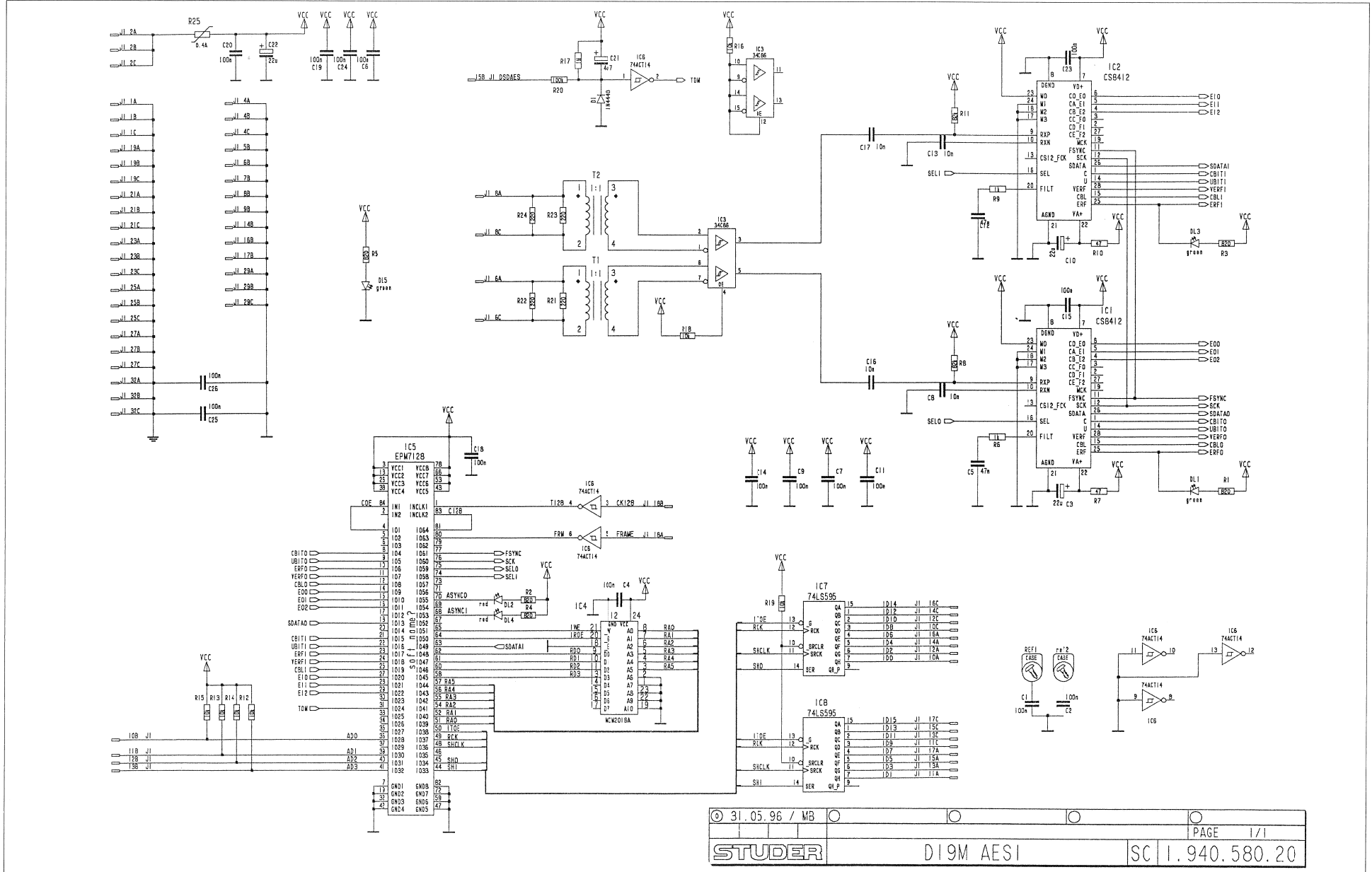
Idx	Pos.	Part No.	Qty.	Type/Val.	Description	Idx	Pos.	Part No.	Qty.	Type/Val.	Description
0	R 201	57.60.1152	1K5		MF, 1%, 0204, E24	0	S 2	55.11.0202		SPDT	Toggle on - none - on
0	R 202	57.60.1272	2K7		MF, 1%, 0204, E24						
0	R 203	57.60.1122	1K2		MF, 1%, 0204, E24	0	T 1	1.022.647.00		1:1.4	OUTPUT TRAF0 AES/EBU
0	R 204	57.60.1272	2K7		MF, 1%, 0204, E24	0	T 2	1.022.647.00		1:1.4	OUTPUT TRAF0 AES/EBU
0	R 205	57.60.1821	820R		MF, 1%, 0204, E24	0	T 3	1.022.647.00		1:1.4	OUTPUT TRAF0 AES/EBU
0	R 206	57.60.1472	4K7		MF, 1%, 0204, E24	0	T 4	1.022.647.00		1:1.4	OUTPUT TRAF0 AES/EBU
0	R 207	57.60.1332	3K3		MF, 1%, 0204, E24	0	T 5	1.022.632.00		1:1	DI/DO TRANSFORMER
0	R 208	57.60.1222	2K2		MF, 1%, 0204, E24	0	T 101	1.022.454.00		1:0.175	EINGANGSTRAFO 1:0,175
0	R 209	57.60.1510	51R		MF, 1%, 0204, E24	0	T 201	1.022.454.00		1:0.175	EINGANGSTRAFO 1:0,175
0	R 210	57.60.1331	330R		MF, 1%, 0204, E24	0	T 301	1.022.454.00		1:0.175	EINGANGSTRAFO 1:0,175
0	R 211	57.60.1681	680R		MF, 1%, 0204, E24	0	T 401	1.022.454.00		1:0.175	EINGANGSTRAFO 1:0,175
0	R 212	57.60.1332	3K3		MF, 1%, 0204, E24						
0	R 213	57.60.1103	10K		MF, 1%, 0204, E24	0	TP 1	54.33.6010		2.8*0.8	PCB-Flachstecker, gerade
0	R 214	57.60.1102	1K		MF, 1%, 0204, E24						
0	R 215	57.60.1333	33K		MF, 1%, 0204, E24	0	XDL 1	50.20.2501		Spacer	LED-Sockel
0	R 216	57.60.1152	1K5		MF, 1%, 0204, E24	0	XDL 3	not used		Spacer	LED-Sockel
0	R 217	57.60.1103	10K		MF, 1%, 0204, E24	0	XDL 5	50.20.2501		Spacer	LED-Sockel
0	R 218	57.60.1332	3K3		MF, 1%, 0204, E24	0	XDL 7	not used		Spacer	LED-Sockel
0	R 219	57.60.1332	3K3		MF, 1%, 0204, E24	0	XDL 9	50.20.2501		Spacer	LED-Sockel
0	R 220	57.60.1222	2K2		MF, 1%, 0204, E24	0	XDL 10	50.20.2501		Spacer	LED-Sockel
0	R 221	57.60.1392	3K9		MF, 1%, 0204, E24						
0	R 222	57.60.1472	4K7		MF, 1%, 0204, E24	0	XIC 4	53.03.0168		16p	DIL 0.3", lot, gerade
0	R 223	57.60.1510	51R		MF, 1%, 0204, E24	0	XIC 5	53.03.0168		16p	DIL 0.3", lot, gerade
0	R 301	57.60.1152	1K5		MF, 1%, 0204, E24	0	XIC 13	not used		PLCC32p	PLCC-Socket 32p
0	R 302	57.60.1272	2K7		MF, 1%, 0204, E24	0	XIC 14	53.03.2284		PLCC84p	PLCC-Socket 84p
0	R 303	57.60.1122	1K2		MF, 1%, 0204, E24	0	XIC 17	53.03.2232		PLCC32p	PLCC-Socket 32p
0	R 304	57.60.1272	2K7		MF, 1%, 0204, E24						
0	R 305	57.60.1821	820R		MF, 1%, 0204, E24	0	XT 101	1.022.400.03			ISOLATION
0	R 306	57.60.1472	4K7		MF, 1%, 0204, E24	0	XT 201	1.022.400.03			ISOLATION
0	R 307	57.60.1332	3K3		MF, 1%, 0204, E24	0	XT 301	1.022.400.03			ISOLATION
0	R 308	57.60.1222	2K2		MF, 1%, 0204, E24	0	XT 401	1.022.400.03			ISOLATION
0	R 309	57.60.1510	51R		MF, 1%, 0204, E24						
0	R 310	57.60.1331	330R		MF, 1%, 0204, E24	0	XY 1	89.01.1499			QUARZ - ISOLIERPLATTE
0	R 311	57.60.1681	680R		MF, 1%, 0204, E24	0	XY 2	89.01.1499			QUARZ - ISOLIERPLATTE
0	R 312	57.60.1332	3K3		MF, 1%, 0204, E24						
0	R 313	57.60.1103	10K		MF, 1%, 0204, E24	0	Y 1	89.01.0559		11.289MHz	11.289 600 MHz,
0	R 314	57.60.1102	1K		MF, 1%, 0204, E24	0	Y 2	89.01.1015		12.288MHz	12.288 000 MHz, HC 49/U
0	R 315	57.60.1333	33K		MF, 1%, 0204, E24						
0	R 316	57.60.1152	1K5		MF, 1%, 0204, E24						
0	R 317	57.60.1103	10K		MF, 1%, 0204, E24						
0	R 318	57.60.1332	3K3		MF, 1%, 0204, E24						
0	R 319	57.60.1332	3K3		MF, 1%, 0204, E24						
0	R 320	57.60.1222	2K2		MF, 1%, 0204, E24						
0	R 321	57.60.1392	3K9		MF, 1%, 0204, E24						
0	R 322	57.60.1472	4K7		MF, 1%, 0204, E24						
0	R 323	57.60.1510	51R		MF, 1%, 0204, E24						
0	R 324	57.60.1229	2R2		MF, 1%, 0204, E24						
0	R 325	57.60.1103	10K		MF, 1%, 0204, E24						
0	R 401	57.60.1152	1K5		MF, 1%, 0204, E24						
0	R 402	57.60.1272	2K7		MF, 1%, 0204, E24						
0	R 403	57.60.1122	1K2		MF, 1%, 0204, E24						
0	R 404	57.60.1272	2K7		MF, 1%, 0204, E24						
0	R 405	57.60.1821	820R		MF, 1%, 0204, E24						
0	R 406	57.60.1472	4K7		MF, 1%, 0204, E24						
0	R 407	57.60.1332	3K3		MF, 1%, 0204, E24						
0	R 408	57.60.1222	2K2		MF, 1%, 0204, E24						
0	R 409	57.60.1510	51R		MF, 1%, 0204, E24						
0	R 410	57.60.1331	330R		MF, 1%, 0204, E24						
0	R 411	57.60.1681	680R		MF, 1%, 0204, E24						
0	R 412	57.60.1332	3K3		MF, 1%, 0204, E24						
0	R 413	57.60.1103	10K		MF, 1%, 0204, E24						
0	R 414	57.60.1102	1K		MF, 1%, 0204, E24						
0	R 415	57.60.1333	33K		MF, 1%, 0204, E24						
0	R 416	57.60.1152	1K5		MF, 1%, 0204, E24						
0	R 417	57.60.1103	10K		MF, 1%, 0204, E24						
0	R 418	57.60.1332	3K3		MF, 1%, 0204, E24						
0	R 419	57.60.1332	3K3		MF, 1%, 0204, E24						
0	R 420	57.60.1222	2K2		MF, 1%, 0204, E24						
0	R 421	57.60.1392	3K9		MF, 1%, 0204, E24						
0	R 422	57.60.1472	4K7		MF, 1%, 0204, E24						
0	R 423	57.60.1510	51R		MF, 1%, 0204, E24						
0	RA 101	58.05.1201	200R		10%, 0.5W, Cermet						
0	RA 102	58.05.1202	2k		10%, 0.5W, Cermet						
0	RA 201	58.05.1201	200R		10%, 0.5W, Cermet						
0	RA 202	58.05.1202	2k		10%, 0.5W, Cermet						
0	RA 301	58.05.1201	200R		10%, 0.5W, Cermet						
0	RA 302	58.05.1202	2k		10%, 0.5W, Cermet						
0	RA 401	58.05.1201	200R		10%, 0.5W, Cermet						
0	RA 402	58.05.1202	2k		10%, 0.5W, Cermet						
0	RZ 1	not used	10k		8*R Resistor-Netw 2% SIP9						
0	RZ 2	not used	10k		8*R Resistor-Netw 2% SIP9						
0	RZ 3	57.88.4103	10k		8*R Resistor-Netw 2% SIP9						
0	S 1	not used		SPDT	Toggle on - none - on						

End of List

Comments



DI9M AESI Board 1.940.580.20





D19M AESI Board I.940.580.20

Idx. Pos.	Part No.	Qty.	Type/Val.	Description	Idx. Pos.	Part No.	Qty.	Type/Val.	Description
0	C 1	59.06.0104	100n	PETP, 10%, 63V	0	R 15	57.11.3103	10k	MF, 1%, 0207
0	C 2	59.06.0104	100n	PETP, 10%, 63V	0	R 16	57.11.3103	10k	MF, 1%, 0207
0	C 3	59.22.5220	22u	EL 25V, 20%, rad RM5	0	R 17	57.11.3105	1M0	MF, 1%, 0207
0	C 4	59.06.0104	100n	PETP, 10%, 63V	0	R 18	57.11.3103	10k	MF, 1%, 0207
0	C 5	59.06.0473	47n	PFTP, 10%, 63V	0	R 19	57.11.3103	10k	MF, 1%, 0207
0	C 6	59.06.0104	100n	PETP, 10%, 63V	0	R 20	57.11.3104	100k	MF, 1%, 0207
0	C 7	59.06.0104	100n	PETP, 10%, 63V	0	R 21	57.11.3221	220R	MF, 1%, 0207
0	C 8	59.06.0103	10n	PETP, 10%, 63V	0	R 22	57.11.3221	220R	MF, 1%, 0207
0	C 9	59.06.0104	100n	PETP, 10%, 63V	0	R 23	57.11.3221	220R	MF, 1%, 0207
0	C 10	59.22.5220	22u	EL 25V, 20%, rad RM5	0	R 24	57.11.3221	220R	MF, 1%, 0207
0	C 11	59.06.0104	100n	PETP, 10%, 63V	0	R 25	57.92.7053	1.6A	POLY- PTC, 30V
0	C 12	59.06.0473	47n	PETP, 10%, 63V					
0	C 13	59.06.0103	10n	PETP, 10%, 63V	0	T 1	1.022.632.00	1.022.632.00	DI/DO TRANSFORMER
0	C 14	59.06.0104	100n	PETP, 10%, 63V	0	T 2	1.022.632.00	1.022.632.00	DI/DO TRANSFORMER
0	C 15	59.06.0104	100n	PETP, 10%, 63V					
0	C 16	59.06.0103	10n	PETP, 10%, 63V	0	XDL 1	50.20.2501	Spacer	LED-Sockel
0	C 17	59.06.0103	10n	PETP, 10%, 63V	0	XDL 2	50.20.2501	Spacer	LED-Sockel
0	C 18	59.06.0104	100n	PETP, 10%, 63V	0	XDL 3	50.20.2501	Spacer	LED-Sockel
0	C 19	59.06.0104	100n	PETP, 10%, 63V	0	XDL 4	50.20.2501	Spacer	LED-Sockel
0	C 20	59.06.0104	100n	PETP, 10%, 63V	0	XDL 5	50.20.2501	Spacer	LED-Sockel
0	C 21	59.22.8479	4u7	EL 50V, 20%, rad RM5					
0	C 22	59.22.5220	22u	EL 25V, 20%, rad RM5	0	XIC 5	53.03.2284	XIC PLCC84	XIC PLCC 84 PIN
0	C 23	59.06.0104	100n	PETP, 10%, 63V					
0	C 24	59.06.0104	100n	PETP, 10%, 63V					
0	C 25	59.06.0104	100n	PETP, 10%, 63V					
0	C 26	59.06.0104	100n	PETP, 10%, 63V					
0	D 1	50.04.0125	1N4448	75V, 150mA, 4ns, DO-35					
0	DL 1	50.04.2202	HLMP1790	DL HLMP - 1790 GN <i>gesockelt mit 50.20.2501</i>					
0	DL 2	50.04.2200	HLMP1700	DL HLMP - 1700 RT <i>gesockelt mit 50.20.2501</i>					
0	DL 3	50.04.2202	HLMP1790	DL HLMP - 1790 GN <i>gesockelt mit 50.20.2501</i>					
0	DL 4	50.04.2200	HLMP1700	DL HLMP - 1700 RT <i>gesockelt mit 50.20.2501</i>					
0	DL 5	50.04.2202	HLMP1790	DL HLMP - 1790 GN <i>gesockelt mit 50.20.2501</i>					
0	IC 1	50.13.0202	CS8412	IC CS 8412-CP ,A					
0	IC 2	50.13.0202	CS8412	IC CS 8412-CP ,A					
0	IC 3	50.15.0128	34C86	IC DS 34 C 86 TN, MC34C86P ,A					
0	IC 4	50.14.1009	CY7C128-35	IC MCM 2018 A - 35 ,A					
0	IC 5	1.940.960.20		SW 580 DSDAI (50.63.4205) <i>gesockelt mit 53.03.2284</i>					
0	IC 6	50.17.7014	ACT14	... 74 ACT 14 .					
0	IC 7	50.06.0595	74LS595	IC SN 74 LS 595 N					
0	IC 8	50.06.0595	74LS595	IC SN 74 LS 595 N					
0	J 1	54.11.2009		J EU-R 3 * 32					
0	MP 1	1.940.580.11		D19M AESI BOARD PCB					
0	MP 2	1.940.580.04		TYPENSCHILD					
0	MP 3	43.01.0108	Label	ESE-WARNSCHILD					
0	MP 4	not used	Label	TEXT-ETIK. 5*20 HARDWARE -20					
0	MP 10	1.940.580.01	1 pce	FRONTPLATTE					
0	MP 11	1.940.600.04	1 pce	GRIFFEINLAGE 4TE					
0	MP 12	49.02.0520	2 pcs	M2.5*12 Rändelschraube (Rack)					
0	MP 13	49.02.0521	2 pcs	Metall-Buchse (Rack)					
0	MP 14	49.02.0522	2 pcs	Kartenhalter (Rack)					
0	MP 15	49.02.0523	1 pce	M2.5*7 Senk-Schr, KS, Senkripp					
0	MP 16	49.02.0504	1 pce	4TE Frontplatten-Griff					
0	MP 17	21.53.0279	2 pcs	Z - SCHR. IS , ZN , M2.5 * 6					
0	MP 18	21.53.0284	1 pce	Z - SCHR. IS , ZN , M2.5 * 16					
0	MP 19	28.99.0119	2 pcs	ROHRNIETE D 2.5*0.15* 9					
0	R 1	57.11.3821	820R	MF, 1%, 0207					
0	R 2	57.11.3821	820R	MF, 1%, 0207					
0	R 3	57.11.3821	820R	MF, 1%, 0207					
0	R 4	57.11.3821	820R	MF, 1%, 0207					
0	R 5	57.11.3821	820R	MF, 1%, 0207					
0	R 6	57.11.3102	1k0	MF, 1%, 0207					
0	R 7	57.11.3470	47R	MF, 1%, 0207					
0	R 8	57.11.3823	82k	MF, 1%, 0207					
0	R 9	57.11.3102	1k0	MF, 1%, 0207					
0	R 10	57.11.3470	47R	MF, 1%, 0207					
0	R 11	57.11.3823	82k	MF, 1%, 0207					
0	R 12	57.11.3103	10k	MF, 1%, 0207					
0	R 13	57.11.3103	10k	MF, 1%, 0207					
0	R 14	57.11.3103	10k	MF, 1%, 0207					

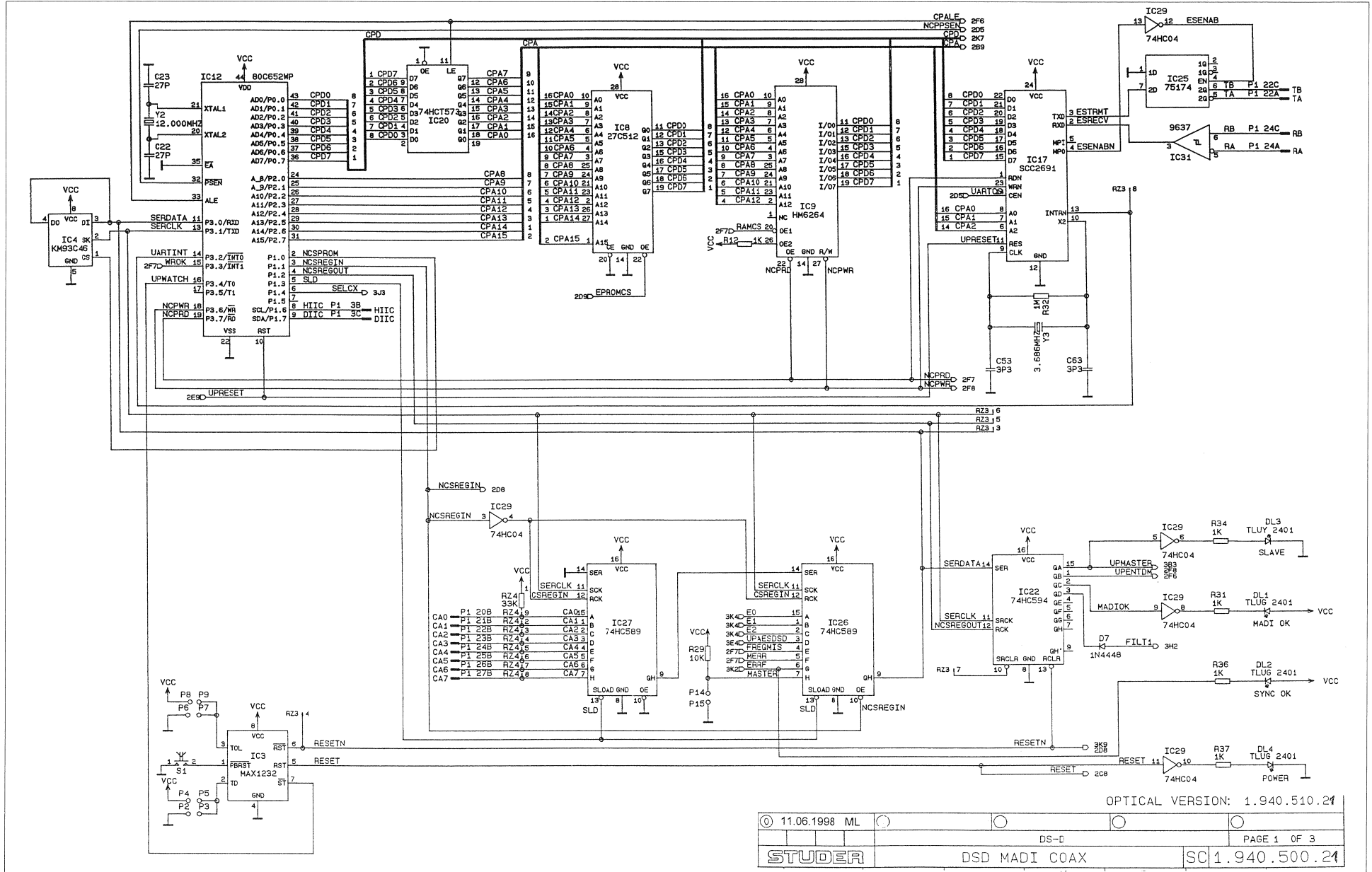
End of List

Comments

SCHEMATA / CIRCUIT DIAGRAMS

Block Diagram D19 M Madi Coaxial	1.940.500.21
Block Diagram Madi Optical	1.940.510.21
D19 M Madi Coaxial	1.940.500.21
Madi Optical	1.940.510.21
D19 M C4 DA Board	1.940.570.21
D19 M AESO Board	1.940.585.21

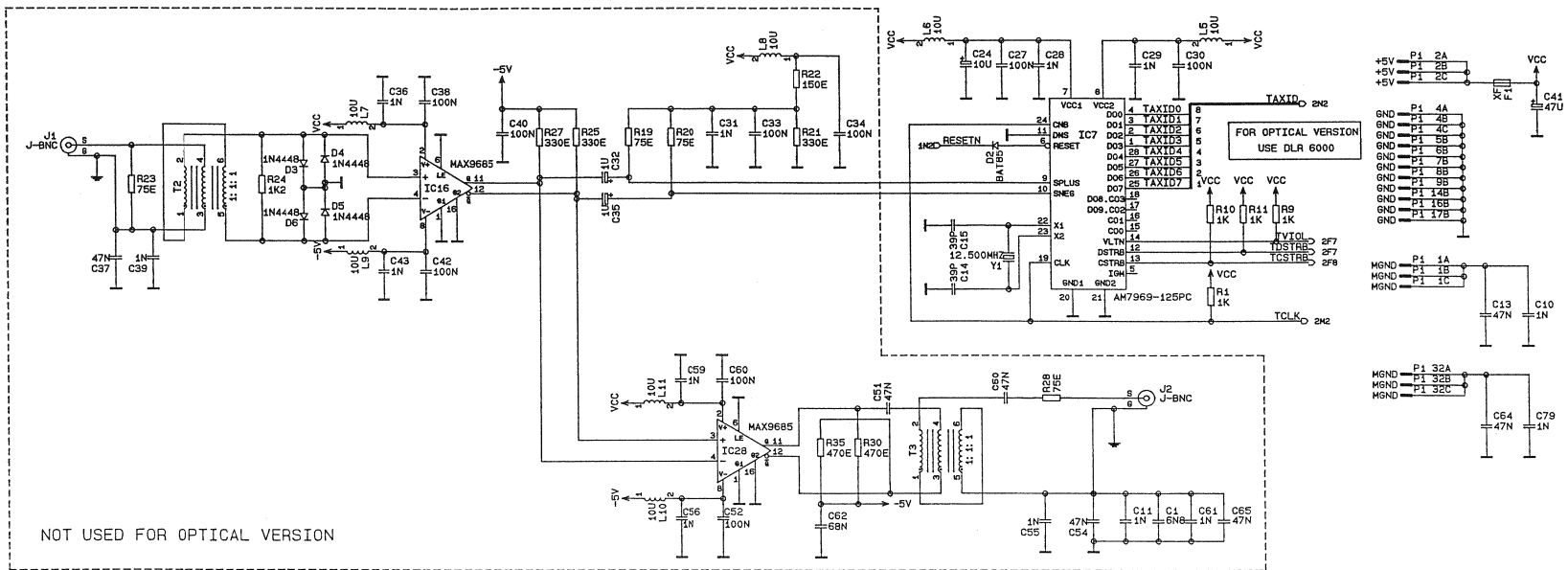
D19M Madi Coaxial 1.940.500.21
Madi Optical 1.940.510.21



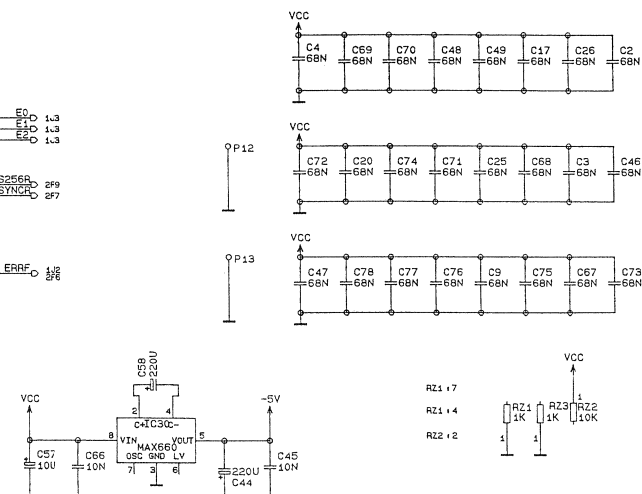
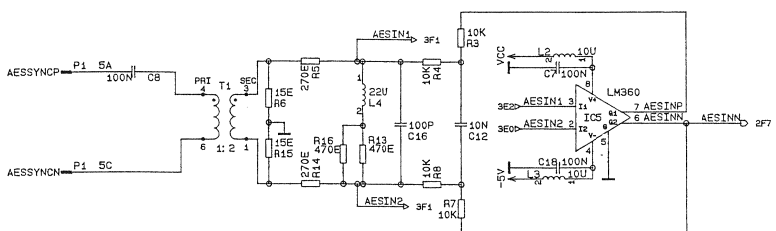
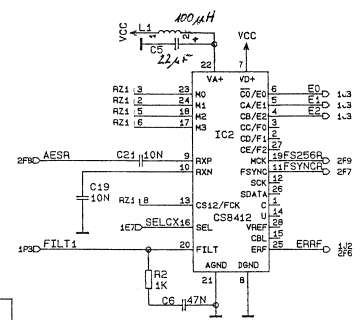
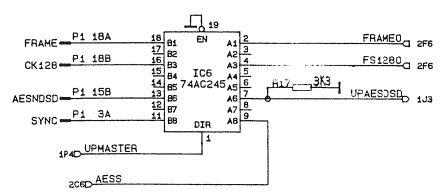
OPTICAL VERSION: 1.940.510.21

© 11.06.1998 ML				
STUDER		DSD MADI COAX		SC 1.940.500.21
DS-D			PAGE 1 OF 3	

D19M Madi Coaxial 1.940.500.21
 Madi Optical 1.940.510.21



NOT USED FOR OPTICAL VERSION

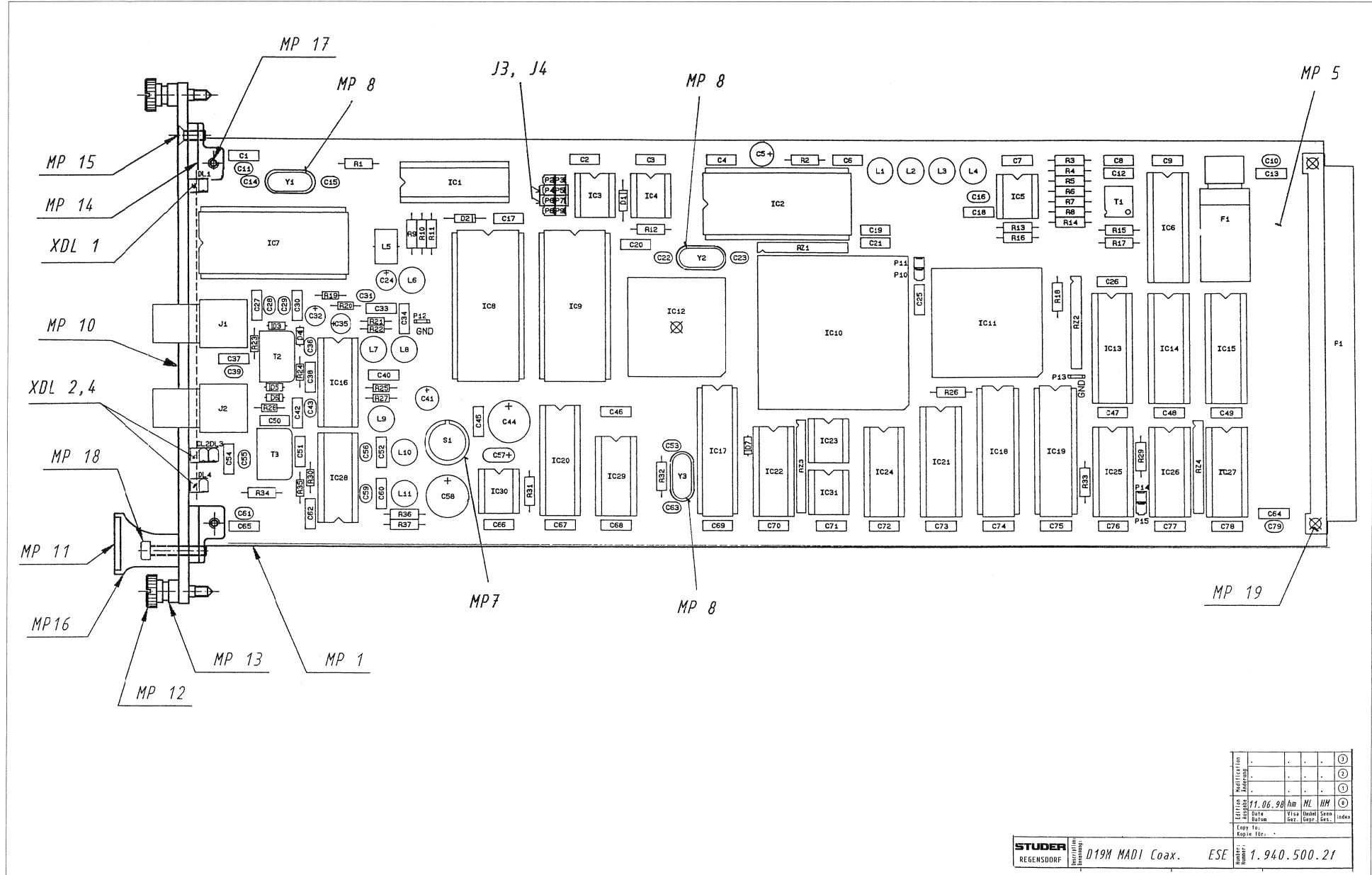


OPTICAL VERSION: 1.940.510.21

© 11.06.1998 ML			
	DS-D		PAGE 3 OF 3
STUDER	DSD MADI CDAX	SC 1.940.500.21	



D19M Madi Coaxial 1.940.500.21



REVISION	DATE	BY	CHKD	APP'D
11.06.98	hm	HL	NH	
DATE	DESIGNER	CHKD	APP'D	INDEX

STUDER REGENSDORF D19M MADI Coax. ESE 1.940.500.21



D19M Madi Coaxial I.940.500.21

Idx.	Pos.	Part No.	Qty.	Type/Val.	Description	Idx.	Pos.	Part No.	Qty.	Type/Val.	Description
0	C 1	59.06.0682		6n8	PETP, 63V, 10%, RM5	0	D 7	50.04.0125		1N4448	75V, 150mA, 4ns, DO-35
0	C 2	59.06.0683		68n	PETP, 63V, 10%, RM5	0	DL 1	50.04.2202		HLMP1790	DL HLMP - 1790 GN
0	C 3	59.06.0683		68n	PETP, 63V, 10%, RM5	0	DL 2	50.04.2202		HLMP1790	DL HLMP - 1790 GN
0	C 4	59.06.0683		68n	PETP, 63V, 10%, RM5	0	DL 3	50.04.2201		HLMP1719	DL HLMP - 1719 GB
0	C 5	59.22.5220		22u	EL 25V, 20%, RM5	0	DL 4	50.04.2202		HLMP1790	DL HLMP - 1790 GN
0	C 6	59.06.0473		47n	PETP, 63V, 10%, RM5	0	F 1	51.01.0119		1.6A	T 5*20 L 250V
0	C 7	59.06.0104		100n	PETP, 63V, 10%, RM5	0	IC 1	50.17.7273		ACT273	.. 74 ACT 273 .
0	C 8	59.06.0104		100n	PETP, 63V, 10%, RM5	0	IC 2	50.13.0202		CS8412	IC CS 8412-CP ,A
0	C 9	59.06.0683		68n	PETP, 63V, 10%, RM5	0	IC 3	50.11.0159		MAX1232	IC MAX 1232 CPA, DS 1232
0	C 10	59.32.4102		1n	C 1000 P, 20%, 50V, CER	0	IC 4	50.14.2103		HY93C46S	EEPROM 64 * 16, serial
0	C 11	59.32.4102		1n	C 1000 P, 20%, 50V, CER	0	IC 5	50.11.1002		LM350	High speed Comparator
0	C 12	59.06.0103		10n	PETP, 63V, 10%, RM5	0	IC 6	50.06.0245		74LS245	IC SN 74 LS 245 N TTL-3
0	C 13	59.06.0473		47n	PETP, 63V, 10%, RM5	0	IC 7	50.16.0702		AM7969-125P	IC AM 7969-125 PC ,A
0	C 14	59.34.2390		39p	CER 63V, 5%, N150	0	IC 8	1.940.940.20			SW 500 MADI (50.14.2002)
0	C 15	59.34.2390		39p	CER 63V, 5%, N150	0	IC 9	50.14.0133		5565	IC HM 6264LP-15 ,A
0	C 16	59.34.4101		100p	CER 63V, 5%, N750	0	IC 10	50.63.4002		XC3030A-7	LCA 3000 / 3000 PLCC84
0	C 17	59.06.0683		68n	PETP, 63V, 10%, RM5	0	IC 11	50.63.1702		CY7C130	Dualport SRAM, 1K*8
0	C 18	59.06.0104		100n	PETP, 63V, 10%, RM5	0	IC 12	50.63.0009		80C652	Mpu 8bit
0	C 19	59.06.0103		10n	PETP, 63V, 10%, RM5	0	IC 13	50.17.0574		74HCT574	IC .. 74 HCT574 .. ,A
0	C 20	59.06.0683		68n	PETP, 63V, 10%, RM5	0	IC 14	50.06.1576		74ALS576	Octal D-Type FF, tri
0	C 21	59.06.0103		10n	PETP, 63V, 10%, RM5	0	IC 15	50.06.1576		74ALS576	Octal D-Type FF, tri
0	C 22	59.34.2270		27p	CER 63V, 5%, N150	0	IC 16	50.11.0156		MAX9685	ECL Comparator, latching
0	C 23	59.34.2270		27p	CER 63V, 5%, N150	0	IC 17	50.16.0201		SCC2691	IC SCC 2691 AE 1 N 24 ,A
0	C 24	59.22.6100		10u	EL 35V, 20%, RM5	0	IC 18	50.17.5652		74AC652	Octal Bus Reg/Transceiver
0	C 25	59.06.0683		68n	PETP, 63V, 10%, RM5	0	IC 19	50.14.1009		7C128A	SRAM 2K*8 35ns
0	C 26	59.06.0683		68n	PETP, 63V, 10%, RM5	0	IC 20	50.17.0573		74HCT573	IC ... 74 HCT573 .. ,A
0	C 27	59.06.0104		100n	PETP, 63V, 10%, RM5	0	IC 21	50.17.1574		74HC574	IC ... 74 HC 574 .. ,A
0	C 28	59.32.4102		1n	C 1000 P, 20%, 50V, CER	0	IC 22	50.17.1594		74HC594	IC ... 74 HC 594 .. ,A
0	C 29	59.32.4102		1n	C 1000 P, 20%, 50V, CER	0	IC 23	1.940.941.21			SW 500 MADI (50.14.1501)
0	C 30	59.06.0104		100n	PETP, 63V, 10%, RM5	0	IC 24	50.17.1595		74HC595	IC ... 74 HC 595 .. ,A
0	C 31	59.32.4102		1n	C 1000 P, 20%, 50V, CER	0	IC 25	50.15.0121		75174	IC SN 75174 N
0	C 32	59.30.6109		1u	TA, 20%, 35V	0	IC 26	50.17.1589		74HC589	MC 74 HC 589 N
0	C 33	59.06.0104		100n	PETP, 63V, 10%, RM5	0	IC 27	50.17.1589		74HC589	MC 74 HC 589 N
0	C 34	59.06.0104		100n	PETP, 63V, 10%, RM5	0	IC 28	50.11.0156		MAX9685	ECL Comparator, latching
0	C 35	59.30.6109		1u	TA, 20%, 35V	0	IC 29	50.17.1004		74HC04	IC ... 74 HC 04 .. ,A
0	C 36	59.32.4102		1n	C 1000 P, 20%, 50V, CER	0	IC 30	50.10.0124		MAX6600	V-Converter ... +5.5V to -5.5V
0	C 37	59.06.0473		47n	PETP, 63V, 10%, RM5	0	IC 31	50.15.0114		9637	Dual diff Line Receiver
0	C 38	59.06.0104		100n	PETP, 63V, 10%, RM5	0	J 1	54.21.2031		BNC	J 1 POL PRINT/WINKEL BNC
0	C 39	59.32.4102		1n	C 1000 P, 20%, 50V, CER	0	J 2	54.21.2031		BNC	J 1 POL PRINT/WINKEL BNC
0	C 40	59.06.0104		100n	PETP, 63V, 10%, RM5	0	J 3	54.01.0021		Jumper	0.63 * 0.63mm
0	C 41	59.22.3470		47u	EL 10V, 20%, RM5	0	J 4	54.01.0021		Jumper	0.63 * 0.63mm
0	C 42	59.06.0104		100n	PETP, 63V, 10%, RM5	0	L 1	62.02.3101		100uH	10%, radial RM 5
0	C 43	59.32.4102		1n	C 1000 P, 20%, 50V, CER	0	L 2	62.02.3100		10uH	10%, radial RM 5
0	C 44	59.22.4221		220u	EL 16V, 20%, RM5	0	L 3	62.02.3100		10uH	10%, radial RM 5
0	C 45	59.06.0103		10n	PETP, 63V, 10%, RM5	0	L 4	62.02.3220		22uH	10%, radial RM 5
0	C 46	59.06.0683		68n	PETP, 63V, 10%, RM5	0	L 5	62.03.0001		10uH	1A Toroid Chocke
0	C 47	59.06.0683		68n	PETP, 63V, 10%, RM5	0	L 6	62.02.3100		10uH	10%, radial RM 5
0	C 48	59.06.0683		68n	PETP, 63V, 10%, RM5	0	L 7	62.02.3100		10uH	10%, radial RM 5
0	C 49	59.06.0683		68n	PETP, 63V, 10%, RM5	0	L 8	62.02.3100		10uH	10%, radial RM 5
0	C 50	59.06.0473		47n	PETP, 63V, 10%, RM5	0	L 9	62.02.3100		10uH	10%, radial RM 5
0	C 51	59.06.0473		47n	PETP, 63V, 10%, RM5	0	L 10	62.02.3100		10uH	10%, radial RM 5
0	C 52	59.06.0104		100n	PETP, 63V, 10%, RM5	0	L 11	62.02.3100		10uH	10%, radial RM 5
0	C 53	59.34.0339		3p3	CER 63V, 5%, P100	0	MP 1	1.940.500.11			D19M MADI PCB
0	C 54	59.06.0473		47n	PETP, 63V, 10%, RM5	0	MP 2	1.010.057.43			Baugruppenschild
0	C 55	59.32.4102		1n	C 1000 P, 20%, 50V, CER	0	MP 3	43.01.0108		Label	ESE-WARNNSCHILD
0	C 56	59.32.4102		1n	C 1000 P, 20%, 50V, CER	0	MP 5	1.010.117.51			TEXT-ETIK. 5*20 (T1.60A)
0	C 57	59.22.6100		10u	EL 35V, 20%, RM5	0	MP 7	1.010.015.50		Spacer	ISOLIER-SCHEIBE ZU 70 5
0	C 58	59.22.4221		220u	EL 16V, 20%, RM5	0	MP 8	89.01.1499	3 pcs		QUARZ - ISOLIERPLATTE
0	C 59	59.32.4102		1n	C 1000 P, 20%, 50V, CER	0	MP 10	1.940.500.01	1 pce		FRONTPLATTE
0	C 60	59.06.0104		100n	PETP, 63V, 10%, RM5	0	MP 11	1.940.600.04	1 pce		GRIFFEINLAGE 4TE
0	C 61	59.32.4102		1n	C 1000 P, 20%, 50V, CER	0	MP 12	49.02.0520	2 pcs	M2.5*12	Rändelschraube (Rack)
0	C 62	59.06.0683		68n	PETP, 63V, 10%, RM5	0	MP 13	49.02.0521	2 pcs		Metal-Buchse (Rack)
0	C 63	59.34.0339		3p3	CER 63V, 5%, P100	0	MP 14	49.02.0522	2 pcs		Kartenhalter (Rack)
0	C 64	59.06.0473		47n	PETP, 63V, 10%, RM5	0	MP 15	49.02.0523	1 pce	M2.5*7	Senk-Schr, KS, Senkripp
0	C 65	59.06.0473		47n	PETP, 63V, 10%, RM5	0	MP 16	49.02.0504	1 pce	4TE	Frontplatten-Griff
0	C 66	59.06.0103		10n	PETP, 63V, 10%, RM5	0	MP 17	21.53.0279	2 pcs	M2.5*8	Z-Schraube Inbus Zn gp chr
0	C 67	59.06.0683		68n	PETP, 63V, 10%, RM5	0	MP 18	21.53.0284	1 pce	M2.5*16	Z-Schraube Inbus Zn gp chr
0	C 68	59.06.0683		68n	PETP, 63V, 10%, RM5	0	MP 19	28.99.0119	2 pcs		ROHRNIETE D 2.5*0.15* 9
0	C 69	59.06.0683		68n	PETP, 63V, 10%, RM5	0	MP 20	1.101.001.21	1 pce		TEXT-ETIK. 5*20 HARDWARE -21
0	C 70	59.06.0683		68n	PETP, 63V, 10%, RM5	0	P 1	54.11.2009		96p	EU-R 3*32p
0	C 71	59.06.0683		68n	PETP, 63V, 10%, RM5	0	P 2	54.01.0020		1p	Pin 0.63*0.63
0	C 72	59.06.0683		68n	PETP, 63V, 10%, RM5	0	P 3	54.01.0020		1p	Pin 0.63*0.63
0	C 73	59.06.0683		68n	PETP, 63V, 10%, RM5	0	P 4	54.01.0020		1p	Pin 0.63*0.63
0	C 74	59.06.0683		68n	PETP, 63V, 10%, RM5	0	P 5	54.01.0020		1p	Pin 0.63*0.63
0	C 75	59.06.0683		68n	PETP, 63V, 10%, RM5	0	P 6	54.01.0020		1p	Pin 0.63*0.63
0	C 76	59.06.0683		68n	PETP, 63V, 10%, RM5	0	P 7	54.01.0020		1p	Pin 0.63*0.63
0	C 77	59.06.0683		68n	PETP, 63V, 10%, RM5	0	P 8	54.01.0020		1p	Pin 0.63*0.63
0	C 78	59.06.0683		68n	PETP, 63V, 10%, RM5	0	P 9	54.01.0020		1p	Pin 0.63*0.63
0	C 79	59.32.4102		1n	C 1000 P, 20%, 50V, CER	0	P 10	54.01.0020		1p	Pin 0.63*0.63
0	D 1	50.04.0127		BAT85	200mA, Schottky	0	P 11	54.01.0020		1p	Pin 0.63*0.63
0	D 2	50.04.0127		BAT85	200mA, Schottky						
0	D 3	50.04.0125		1N4448	75V, 150mA, 4ns, DO-35						
0	D 4	50.04.0125		1N4448	75V, 150mA, 4ns, DO-35						
0	D 5	50.04.0125		1N4448	75V, 150mA, 4ns, DO-35						
0	D 6	50.04.0125		1N4448	75V, 150mA, 4ns, DO-35						



DI9M Madi Coaxial 1.940.500.21

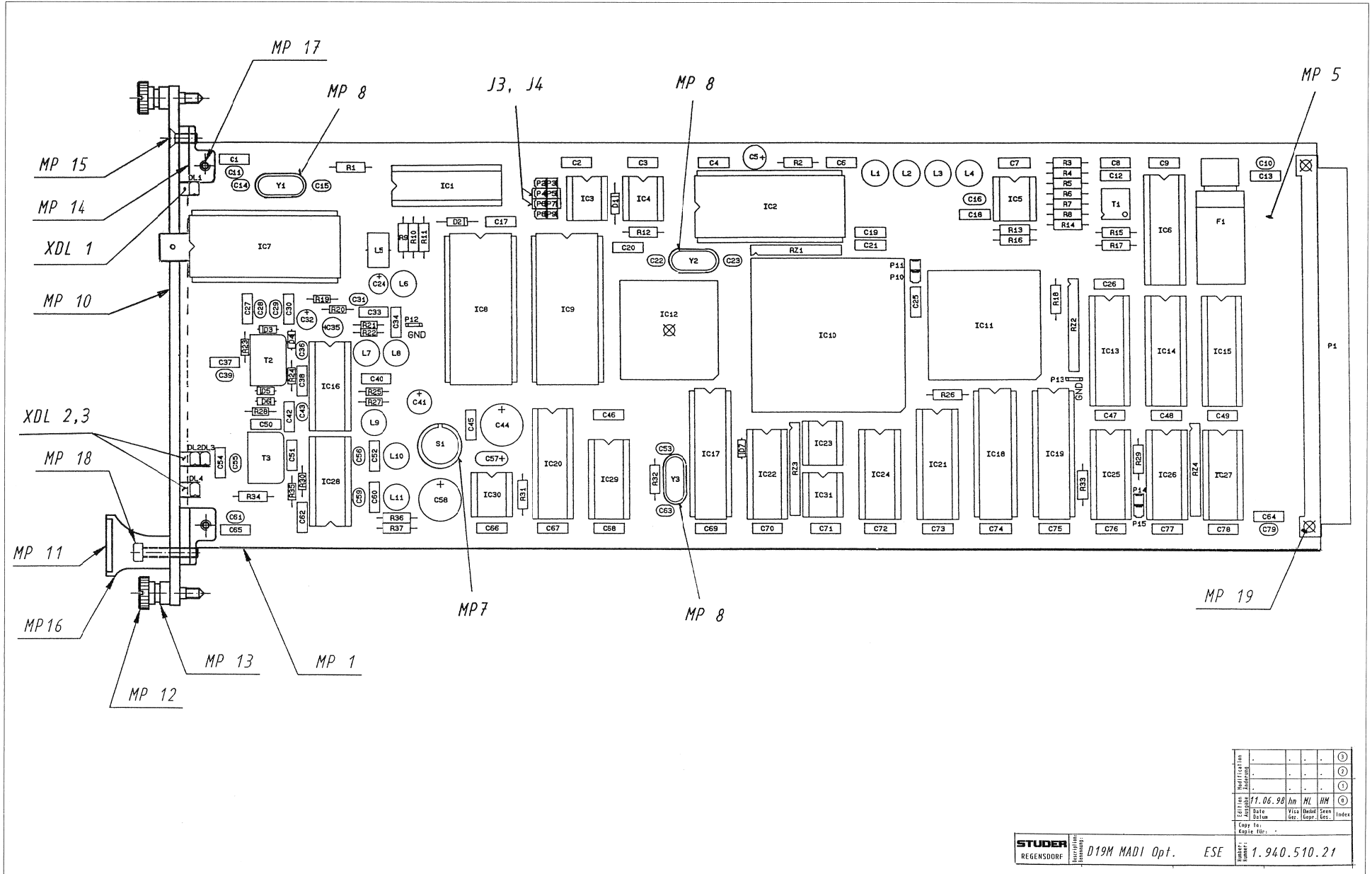
Idx.	Pos.	Part No.	Qty.	Type/Val.	Description
0	P 12	54.02.0320		1p	Flatpin, 2.8*0.8mm
0	P 13	54.02.0320		1p	Flatpin, 2.8*0.8mm
0	P 14	54.01.0020		1p	Pin 0.63*0.63
0	P 15	54.01.0020		1p	Pin 0.63*0.63
0	R 1	57.11.3102		1k0	MF, 1%, 0207
0	R 2	57.11.3102		1k0	MF, 1%, 0207
0	R 3	57.11.3103		10k	MF, 1%, 0207
0	R 4	57.11.3103		10k	MF, 1%, 0207
0	R 5	57.11.3271		270R	MF, 1%, 0207
0	R 6	57.11.3150		15R	MF, 1%, 0207
0	R 7	57.11.3103		10k	MF, 1%, 0207
0	R 8	57.11.3103		10k	MF, 1%, 0207
0	R 9	57.11.3102		1k0	MF, 1%, 0207
0	R 10	57.11.3102		1k0	MF, 1%, 0207
0	R 11	57.11.3102		1k0	MF, 1%, 0207
0	R 12	57.11.3102		1k0	MF, 1%, 0207
0	R 13	57.11.3471		470R	MF, 1%, 0207
0	R 14	57.11.3271		270R	MF, 1%, 0207
0	R 15	57.11.3150		15R	MF, 1%, 0207
0	R 16	not used		470R	MF, 1%, 0207
0	R 17	57.11.3103		10k	MF, 1%, 0207
0	R 18	57.11.3102		1k0	MF, 1%, 0207
0	R 19	57.10.1750		75R	MF, 1%, 0204
0	R 20	57.10.1750		75R	MF, 1%, 0204
0	R 21	57.10.1331		330R	MF, 1%, 0204
0	R 22	57.11.3151		150R	MF, 1%, 0207
0	R 23	57.10.1750		75R	MF, 1%, 0204
0	R 24	57.10.1122		1k2	MF, 1%, 0204
0	R 25	57.10.1331		330R	MF, 1%, 0204
0	R 26	57.11.3102		1k0	MF, 1%, 0207
0	R 27	57.10.1331		330R	MF, 1%, 0204
0	R 28	57.10.1750		75R	MF, 1%, 0204
0	R 29	57.11.3103		10k	MF, 1%, 0207
0	R 30	57.10.1471		470R	MF, 1%, 0204
0	R 31	57.11.3102		1k0	MF, 1%, 0207
0	R 32	57.11.3105		1M0	MF, 1%, 0207
0	R 33	57.11.3102		1k0	MF, 1%, 0207
0	R 34	57.11.3102		1k0	MF, 1%, 0207
0	R 35	57.10.1471		470R	MF, 1%, 0204
0	R 36	57.11.3102		1k0	MF, 1%, 0207
0	R 37	57.11.3102		1k0	MF, 1%, 0207
0	RZ 1	57.88.4102		1k0	8*R Resistor-Netw 2% SIP9
0	RZ 2	57.88.4102		1k0	8*R Resistor-Netw 2% SIP9
0	RZ 3	57.88.4103		10k	8*R Resistor-Netw 2% SIP9
0	RZ 4	57.88.4333		33k	8*R Resistor-Netw 2% SIP9
0	S 1	55.03.0122		1*a	S 1 TASTE, 1*A, PRINT,IMPULS
0	T 1	63.15.0021			RF - Trafo
0	T 2	63.15.0001			IMPULSTRANSFORMATOR
0	T 3	63.15.0001			IMPULSTRANSFORMATOR
0	XDL 1	50.20.2501		Spacer	LED-Sockel
0	XDL 2	50.20.2501		Spacer	LED-Sockel
0	XDL 3	50.20.2501		Spacer	LED-Sockel
0	XF 1	53.03.0118			XF 5 * 20, PRINT-LIEGEND
0	XIC 8	53.03.0173		28p	DIL 0.6", lötl, gerade
0	XIC 10	53.03.2284		PLCC84p	PLCC-Socket 84p
0	XIC 11	53.03.2252		PLCC52p	PLCC-Socket 52p
0	XIC 12	53.03.2244		PLCC44p	PLCC-Socket 44p
0	XIC 14	53.03.0165		20p	DIL 0.3", lötl, gerade
0	XIC 15	53.03.0165		20p	DIL 0.3", lötl, gerade
0	XIC 23	53.03.0166		8p	DIL 0.3", lötl, gerade
0	XIC 25	53.03.0168		16p	DIL 0.3", lötl, gerade
0	XIC 31	53.03.0168		8p	DIL 0.3", lötl, gerade
0	Y 1	89.01.1013		12.500MHz	12.500 000 MHz, HC 49/U
0	Y 2	89.01.1014		12.000MHz	12.000 000 MHz, HC 49/U
0	Y 3	89.01.1002		3.686MHz	3.686 400 MHz, HC 18/U

End of List

Comments



Madi Optical 1.940.510.21



Author
Designer
Checker
Date	11.06.98	hr	ML	HM	...
Version
Drawn
Checked
Index

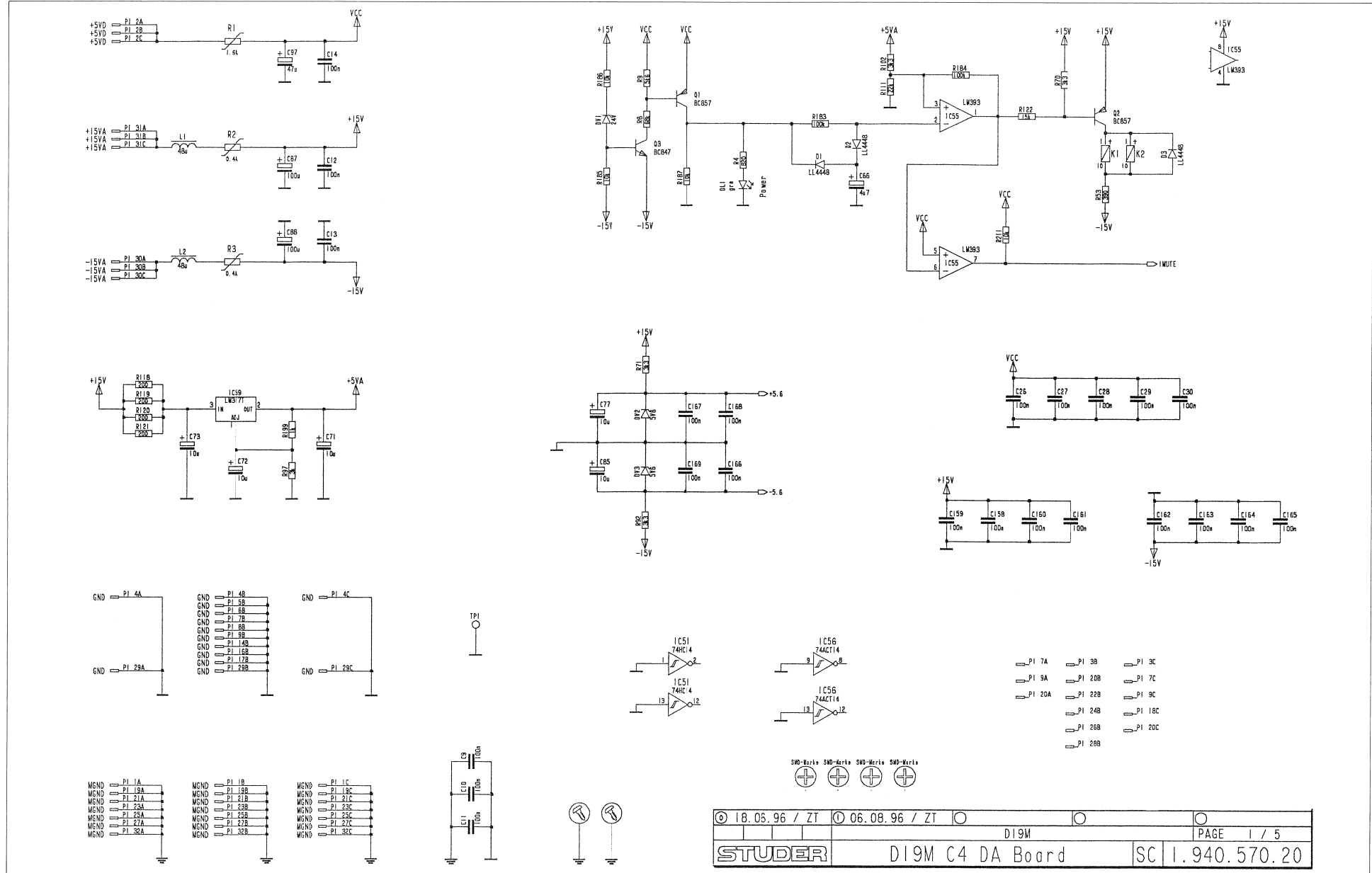
STUDER
REGENSDORF
D19M MADI Opt. ESE
1.940.510.21



Madi Optical 1.940.510.21

Idx.	Pos.	Part No.	Qty.	Type/Val.	Description	Idx.	Pos.	Part No.	Qty.	Type/Val.	Description	Idx.	Pos.	Part No.	Qty.	Type/Val.	Description
0	C 1	not used	6n8		PETP, 63V, 10%, RM5	0	D 7	50.04.0125	1N4448	75V, 150mA, 4ns, DO-35	0	P 15	54.01.0020	1p		Pin 0.63*0.63	
0	C 2	59.06.0683	68n		PETP, 63V, 10%, RM5	0	DL 1	50.04.2202	HLMP1790	DL, HLMP - 1790 GN	0	R 1	57.11.3102	1k0	MF, 1%, 0207		
0	C 3	59.06.0683	68n		PETP, 63V, 10%, RM5	0	DL 2	50.04.2202	HLMP1790	DL, HLMP - 1790 GN	0	R 2	57.11.3102	1k0	MF, 1%, 0207		
0	C 4	59.06.0683	68n		PETP, 63V, 10%, RM5	0	DL 3	50.04.2201	HLMP1719	DL, HLMP - 1719 GB	0	R 3	57.11.3103	10k	MF, 1%, 0207		
0	C 5	59.22.5220	22u		EL 25V, 20%, RM5	0	DL 4	50.04.2202	HLMP1790	DL, HLMP - 1790 GN	0	R 4	57.11.3103	10k	MF, 1%, 0207		
0	C 6	59.06.0473	47n		PETP, 63V, 10%, RM5	0	F 1	51.01.0119	1.6A	T 5*20 2.50V	0	R 5	57.11.3271	270R	MF, 1%, 0207		
0	C 7	59.06.0104	100n		PETP, 63V, 10%, RM5	0	IC 1	50.17.7273	ACT273	.. 74 ACT 273	0	R 6	57.11.3150	15R	MF, 1%, 0207		
0	C 8	59.06.0104	100n		PETP, 63V, 10%, RM5	0	IC 2	50.13.0202	CS8412	IC CS 8412-CP A	0	R 7	57.11.3103	10k	MF, 1%, 0207		
0	C 9	59.06.0683	68n		PETP, 63V, 10%, RM5	0	IC 3	50.11.0159	MAX1232	IC MAX 1232 CPA, DS 1232	0	R 8	57.11.3102	1k0	MF, 1%, 0207		
0	C 10	59.32.4192	1n		C 1000 P, 20%, 50V, CER	0	IC 4	50.14.2103	HY93C46S	EEPROM 64 * 16, serial	0	R 9	57.11.3102	1k0	MF, 1%, 0207		
0	C 11	not used	1n		C 1000 P, 20%, 50V, CER	0	IC 5	50.11.1002	LM950	High speed Comparator	0	R 10	57.11.3102	1k0	MF, 1%, 0207		
0	C 12	59.06.0103	10n		PETP, 63V, 10%, RM5	0	IC 6	50.06.0245	74LS245	IC SN 74 LS 245 N TTL-3	0	R 11	57.11.3102	1k0	MF, 1%, 0207		
0	C 13	59.06.0473	47n		PETP, 63V, 10%, RM5	0	IC 7	89.10.0002	HLMPT90	DLR 6000 (LWL - MODUL) A	0	R 12	57.11.3271	270R	MF, 1%, 0207		
0	C 14	59.34.2330	39p		CER 63V, 5%, N150	0	IC 8	1.940.940.20		SW 500 MADI (50.14.2002)	0	R 13	57.11.3471	470R	MF, 1%, 0207		
0	C 15	59.34.2330	39p		CER 63V, 5%, N150	0	IC 9	50.14.0133	5565	IC HM 6284LP-15 A	0	R 14	57.11.3271	270R	MF, 1%, 0207		
0	C 16	59.34.4121	100p		PETP, 63V, 10%, RM5	0	IC 10	50.53.4002	XG3030A-7	LCA 3000 / 3000 PLLCC84	0	R 15	57.11.3150	15R	MF, 1%, 0207		
0	C 17	59.06.0683	68n		PETP, 63V, 10%, RM5	0	IC 11	50.63.1702	CY7C130	Dualport SRAM, 1K*8	0	R 16	not used	470R	MF, 1%, 0207		
0	C 18	59.06.0104	100n		PETP, 63V, 10%, RM5	0	IC 12	50.63.0009	80C652	MPU 88k	0	R 17	57.11.3103	10k	MF, 1%, 0207		
0	C 19	59.06.0103	10n		PETP, 63V, 10%, RM5	0	IC 13	50.17.0574	74HCT574	IC .. 74 HCT574 .. A	0	R 18	57.11.3102	1k0	MF, 1%, 0207		
0	C 20	59.06.0683	68n		PETP, 63V, 10%, RM5	0	IC 14	50.06.1676	74ALS576	Octal D-Type FF, tri	0	R 19	not used	75R	MF, 1%, 0204		
0	C 21	59.06.0103	10n		PETP, 63V, 10%, RM5	0	IC 15	50.06.1676	74ALS576	Octal D-Type FF, tri	0	R 20	not used	75R	MF, 1%, 0204		
0	C 22	59.34.2270	27p		CER 63V, 5%, N150	0	IC 16	not used	MAX9685	ECL Comparator, latching	0	R 21	not used	330R	MF, 1%, 0204		
0	C 23	59.34.2270	27p		CER 63V, 5%, N150	0	IC 17	50.18.0201	SCC2591	IC SCC 2691 AE 1 N 24 A	0	R 22	not used	150R	MF, 1%, 0207		
0	C 24	59.22.6100	10u		EL 35V, 20%, RM5	0	IC 18	50.18.1009	74AC652	Octal Bus Regg/Transceiver	0	R 23	not used	75R	MF, 1%, 0204		
0	C 25	59.06.0683	68n		PETP, 63V, 10%, RM5	0	IC 19	50.17.1595	74HC595	IC .. 74 HC 595 .. A	0	R 24	not used	142	MF, 1%, 0204		
0	C 26	59.06.0683	68n		PETP, 63V, 10%, RM5	0	IC 20	50.17.1595	74HC595	IC .. 74 HC 595 .. A	0	R 25	not used	330R	MF, 1%, 0204		
0	C 27	59.06.0104	100n		PETP, 63V, 10%, RM5	0	IC 21	50.17.1574	74HC574	IC ... 74 HC 574 ... A	0	R 26	57.11.3102	1k0	MF, 1%, 0207		
0	C 28	59.32.4102	1n		C 1000 P, 20%, 50V, CER	0	IC 22	50.17.1594	74HC594	IC ... 74 HC 594 ... A	0	R 27	not used	330R	MF, 1%, 0204		
0	C 29	59.32.4102	1n		C 1000 P, 20%, 50V, CER	0	IC 23	1.940.941.21		SW 500 MADI (50.14.1501)	0	R 28	not used	75R	MF, 1%, 0204		
0	C 30	59.06.0104	100n		PETP, 63V, 10%, RM5	0	IC 24	50.17.1595	74HC595	IC ... 74 HC 595 .. A	0	R 29	57.11.3103	10k	MF, 1%, 0207		
0	C 31	not used	1n		C 1000 P, 20%, 50V, CER	0	IC 25	50.17.0121	Jumper	0.63 * 0.63mm	0	R 30	not used	470R	MF, 1%, 0204		
0	C 32	not used	1u		TA, 20%, 35V	0	IC 26	50.17.1595	74HC595	IC ... 74 HC 595 .. A	0	R 31	57.11.3102	1k0	MF, 1%, 0207		
0	C 33	not used	10u		PETP, 63V, 10%, RM5	0	IC 27	50.17.1598	74HC599	MC 74HC 599 N	0	R 32	57.11.3105	10k0	MF, 1%, 0207		
0	C 34	not used	100n		PETP, 63V, 10%, RM5	0	IC 28	not used	MAX9685	ECL Comparator, latching	0	R 33	57.11.3102	1k0	MF, 1%, 0207		
0	C 35	not used	1u		TA, 20%, 35V	0	IC 29	50.17.1004	74HC04	IC ... 74 HC 04 ... A	0	R 34	57.11.3102	1k0	MF, 1%, 0207		
0	C 36	not used	1n		C 1000 P, 20%, 50V, CER	0	IC 30	50.10.0124	MAX660	V-Converter ... +5.5V to -5.5V	0	R 35	not used	470R	MF, 1%, 0204		
0	C 37	not used	47n		PETP, 63V, 10%, RM5	0	IC 31	50.15.0114	9637	Dual dir Line Receiver	0	R 36	57.11.3102	1k0	MF, 1%, 0207		
0	C 38	not used	100n		PETP, 63V, 10%, RM5	0	J 3	54.01.0021	Jumper	0.63 * 0.63mm	0	RZ 1	57.88.4102	1k0	8*R Resistor-Netz 2% SIP9		
0	C 39	not used	1n		C 1000 P, 20%, 50V, CER	0	J 4	54.01.0021	Jumper	0.63 * 0.63mm	0	RZ 2	57.88.4102	1k0	8*R Resistor-Netz 2% SIP9		
0	C 40	not used	100n		PETP, 63V, 10%, RM5	0	L 1	62.02.3101	100uH	10%, radial RM 5	0	RZ 3	57.88.4103	10k	8*R Resistor-Netz 2% SIP9		
0	C 41	59.22.3470	47u		EL 10V, 20%, RM5	0	L 2	62.02.3100	100uH	10%, radial RM 5	0	RZ 4	57.88.4333	33k	8*R Resistor-Netz 2% SIP9		
0	C 42	not used	100n		PETP, 63V, 10%, RM5	0	L 3	62.02.3100	100uH	10%, radial RM 5	0	S 1	55.03.0122	1'a	S 1 TASTE, 1'A, PRINT,IMPULS		
0	C 43	not used	1n		C 1000 P, 20%, 50V, CER	0	L 4	62.02.3220	22uH	10%, radial RM 5	0	T 1	63.15.0021		RF - Trafo		
0	C 44	59.22.4221	220u		EL 16V, 20%, RM5	0	L 5	62.03.0001	100uH	1A Toroid Chocke	0	T 2	not used		IMPULSTRANSFORMATOR		
0	C 45	59.06.0103	10n		PETP, 63V, 10%, RM5	0	L 6	62.02.3100	100uH	10%, radial RM 5	0	T 3	not used		IMPULSTRANSFORMATOR		
0	C 46	59.06.0683	68n		PETP, 63V, 10%, RM5	0	L 7	not used	100uH	10%, radial RM 5	0	XDL 1	50.20.2501	Spacer	LED-Socket		
0	C 47	59.06.0683	68n		PETP, 63V, 10%, RM5	0	L 8	not used	100uH	10%, radial RM 5	0	XDL 2	50.20.2501	Spacer	LED-Socket		
0	C 48	59.06.0683	68n		PETP, 63V, 10%, RM5	0	L 9	not used	100uH	10%, radial RM 5	0	XDL 3	50.20.2501	Spacer	LED-Socket		
0	C 49	not used	47n		PETP, 63V, 10%, RM5	0	L 10	not used	100uH	10%, radial RM 5	0	XF 1	53.03.0118		XF 5 * 20, PRINT-LIEGEND		
0	C 50	not used	47n		PETP, 63V, 10%, RM5	0	L 11	not used	100uH	10%, radial RM 5	0	XIC 8	53.03.0173	28p	DIL 0.6", ldt, gerade		
0	C 51	not used	47n		PETP, 63V, 10%, RM5	0	MP 1	1.940.500.11	D19M MADI PCB		0	XIC 9	53.03.2284	PLCC84p	PLCC-Socket 84p		
0	C 52	not used	100n		PETP, 63V, 10%, RM5	0	MP 2	1.010.057.43	Baugruppenschild		0	XIC 10	53.03.2262	PLCC52p	PLCC-Socket 52p		
0	C 53	59.34.0339	3p3		CER 63V, 5%, P100	0	MP 3	43.01.0108	Label	ESE-WARNSCHILD	0	XIC 11	53.03.2244	PLCC44p	PLCC-Socket 44p		
0	C 54	not used	47n		PETP, 63V, 10%, RM5	0	MP 4	1.010.117.51	1.010.117.51 (T1.60A)	TEXT-ETIK 9*20	0	XIC 12	53.03.0165	8p	DIL 0.3", ldt, gerade		
0	C 55	not used	1n		C 1000 P, 20%, 50V, CER	0	MP 5	1.010.015.50	Spacer	ISOLIER-SCHIEBE ZU 0.5	0	XIC 13	53.03.0168	8p	DIL 0.3", ldt, gerade		
0	C 56	not used	100n		PETP, 63V, 10%, RM5	0	MP 6	89.01.1499 3 pcs	QUARZ - ISOLIERPLATTE	FRONTPLATTE	0	XIC 14	53.03.0169	16p	DIL 0.3", ldt, gerade		
0	C 57	59.22.6100	10u		EL 35V, 20%, RM5	0	MP 7	1.010.015.50	Spacer	FRONTPLATTE	0	XIC 15	53.03.0168	8p	DIL 0.3", ldt, gerade		
0	C 58	59.22.4221	220u		EL 16V, 20%, RM5	0	MP 8	89.01.1499 3 pcs	QUARZ - ISOLIERPLATTE	FRONTPLATTE	0	XIC 16	53.03.0168	8p	DIL 0.3", ldt, gerade		
0	C 59	not used	1n		C 1000 P, 20%, 50V, CER	0	MP 9	1.010.015.50	Spacer	FRONTPLATTE	0	XIC 17	53.03.0168	8p	DIL 0.3", ldt, gerade		
0	C 60	not used	100n		PETP, 63V, 10%, RM5	0	MP 10	1.940.510.01 1 pce	GRIFFEINLAGE 4TE	GRIFFEINLAGE 4TE	0	XIC 18	53.03.0168	8p	DIL 0.3", ldt, gerade		
0	C 61	not used	1n		C 1000 P, 20%, 50V, CER	0	MP 11	1.940.600.04 1 pce	RANDELSCHRAUBE (Rack)	RANDELSCHRAUBE (Rack)	0	XIC 19	53.03.0168	8p	DIL 0.3", ldt, gerade		
0	C 62	not used	68n		PETP, 63V, 10%, RM5	0	MP 12	49.02.0520 2 pcs	M2.5*12	Griffelschraube (Rack)	0	XIC 20	53.03.0168	8p	DIL 0.3", ldt, gerade		
0	C 63	59.34.0339	3p3		CER 63V, 5%, P100	0	MP 13	49.02.0521 2 pcs	M2.5*12	Metal-Buchse (Rack)	0	XIC 21	53.03.0168	8p	DIL 0.3", ldt, gerade		
0	C 64	59.06.0473	47n		PETP, 63V, 10%, RM5	0	MP 14	49.02.0522 2 pcs	M2.5*12	Kartenhalter (Rack)	0	XIC 22	53.03.0168	8p			

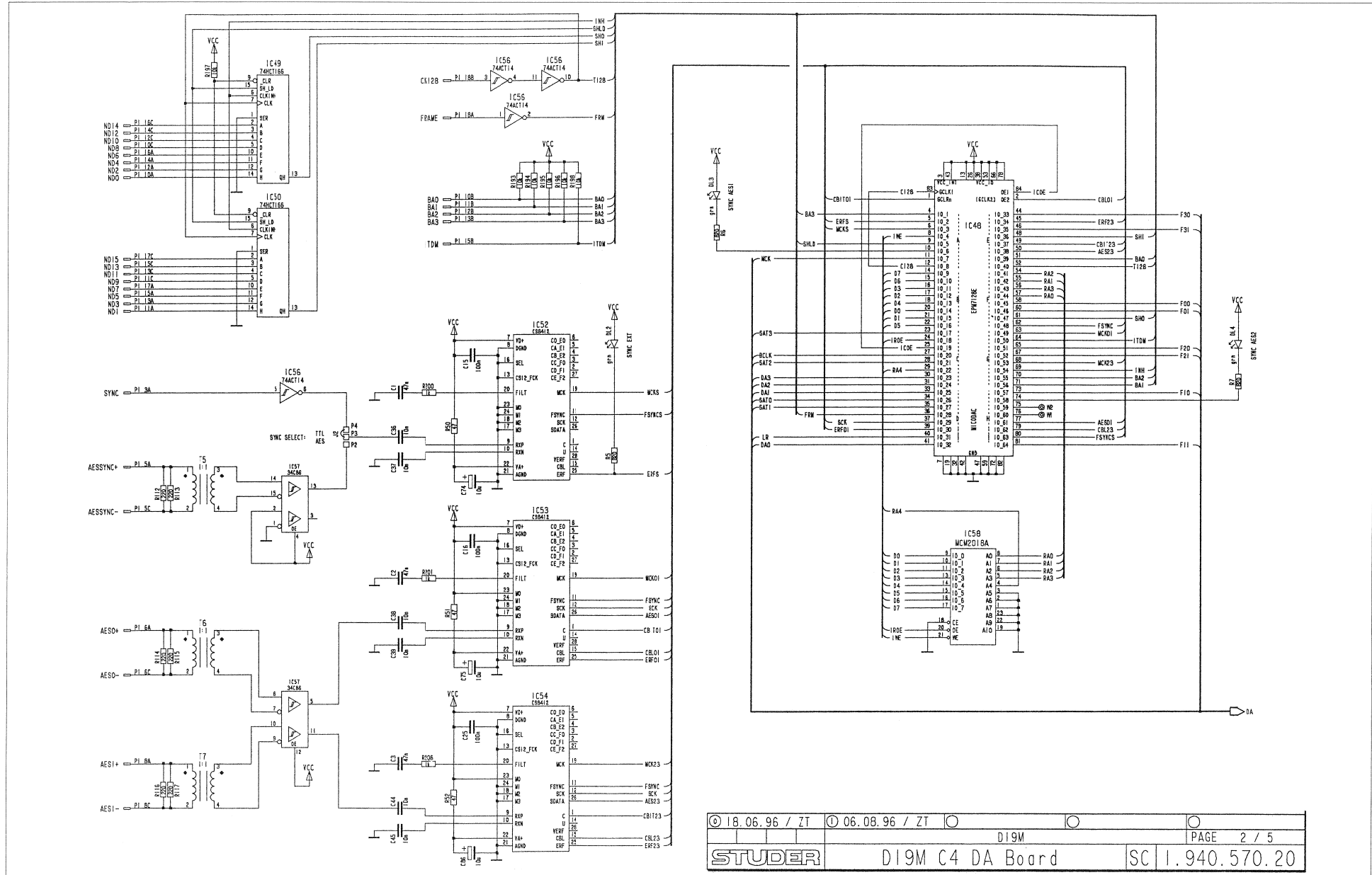
DI9M C4 DA Board 1.940.570.21



© 18.05.96 / ZT	© 06.08.96 / ZT	DI9M	PAGE 1 / 5
STUDER		DI9M C4 DA Board	SC 1.940.570.20

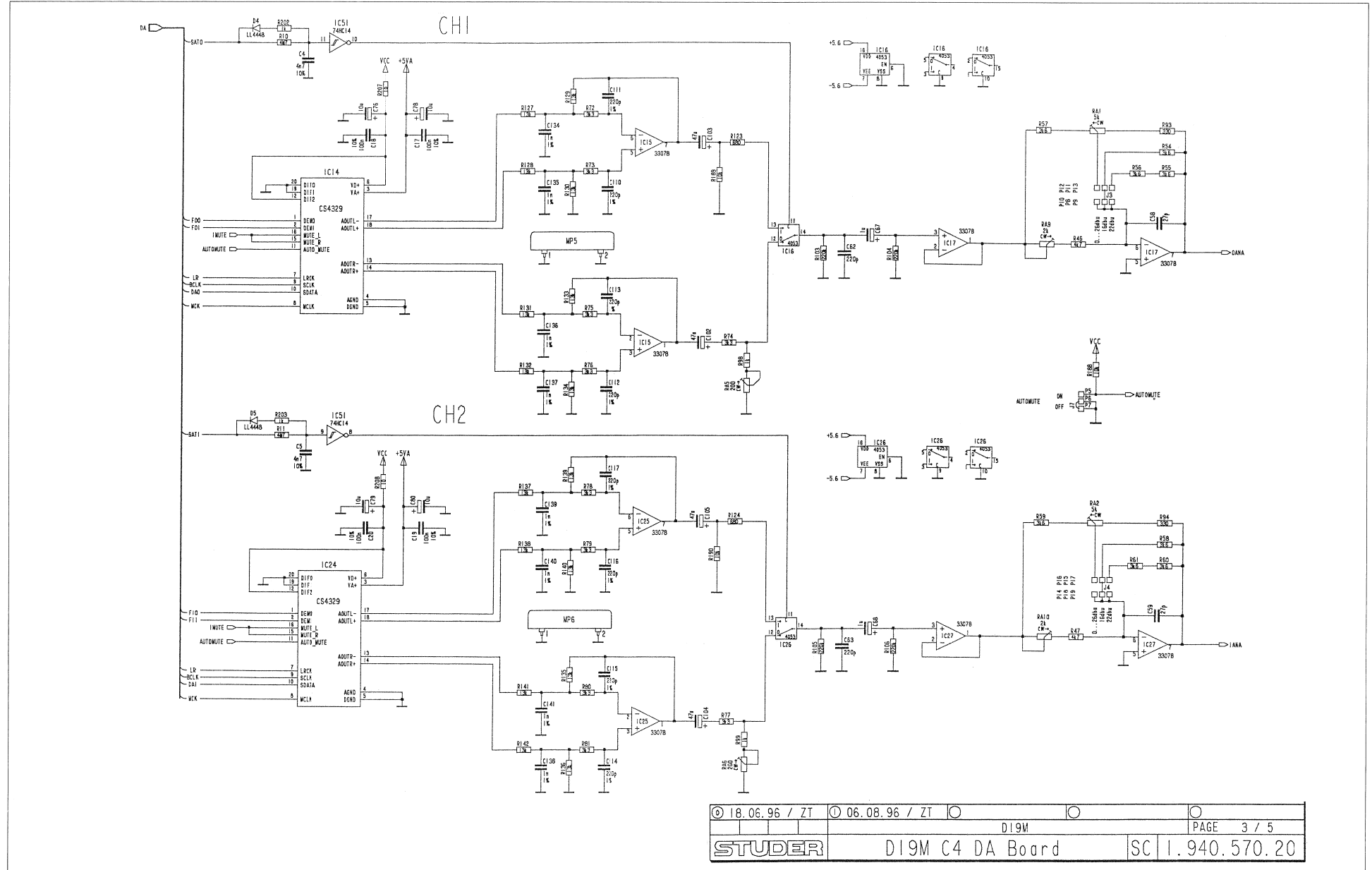


D19M C4 DA Board 1.940.570.21





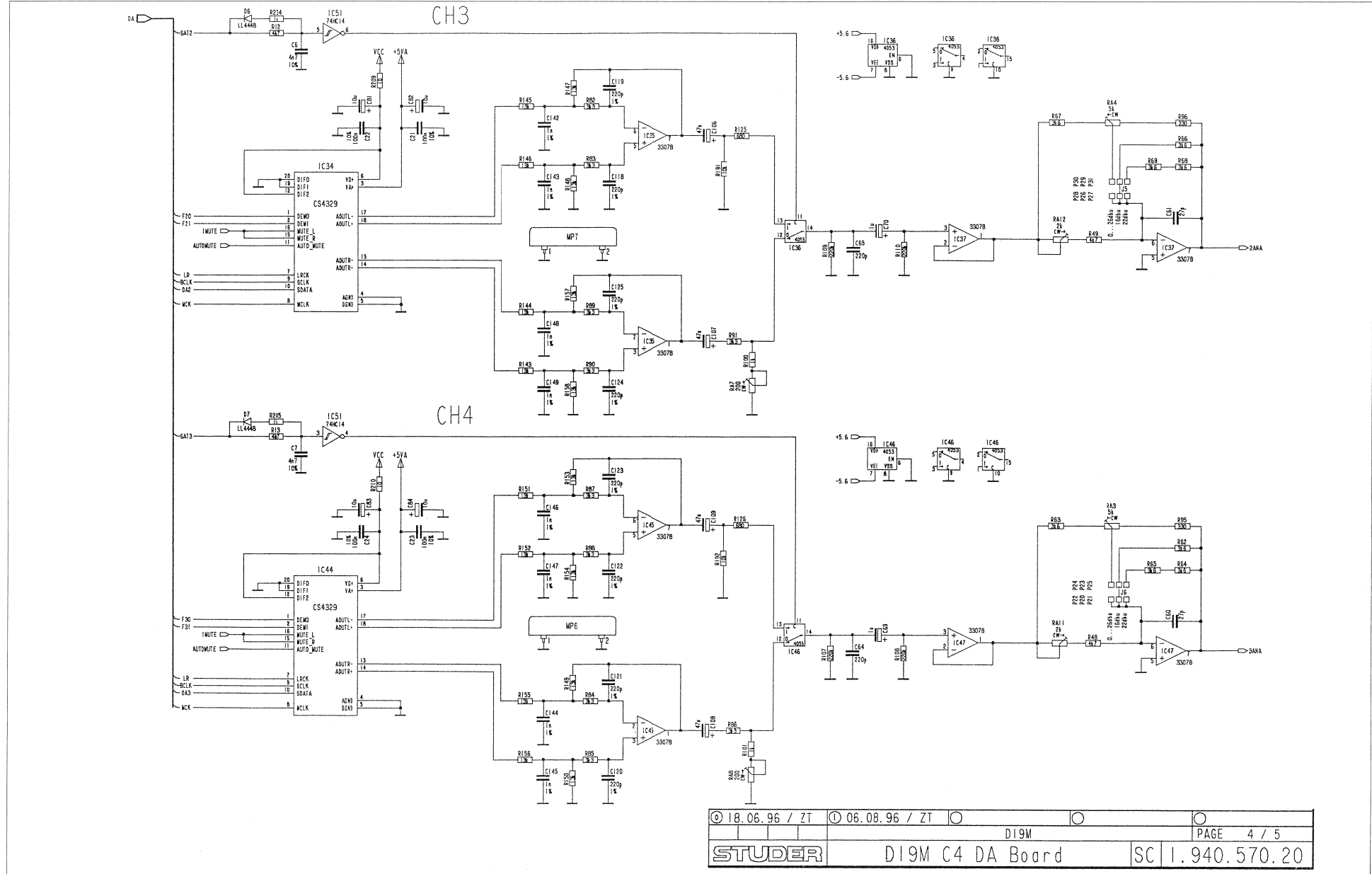
DI9M C4 DA Board 1.940.570.21



© 18.06.96 / ZT	© 06.08.96 / ZT	○	○	○
STUDER			DI9M	PAGE 3 / 5
DI9M C4 DA Board			SC	1.940.570.20

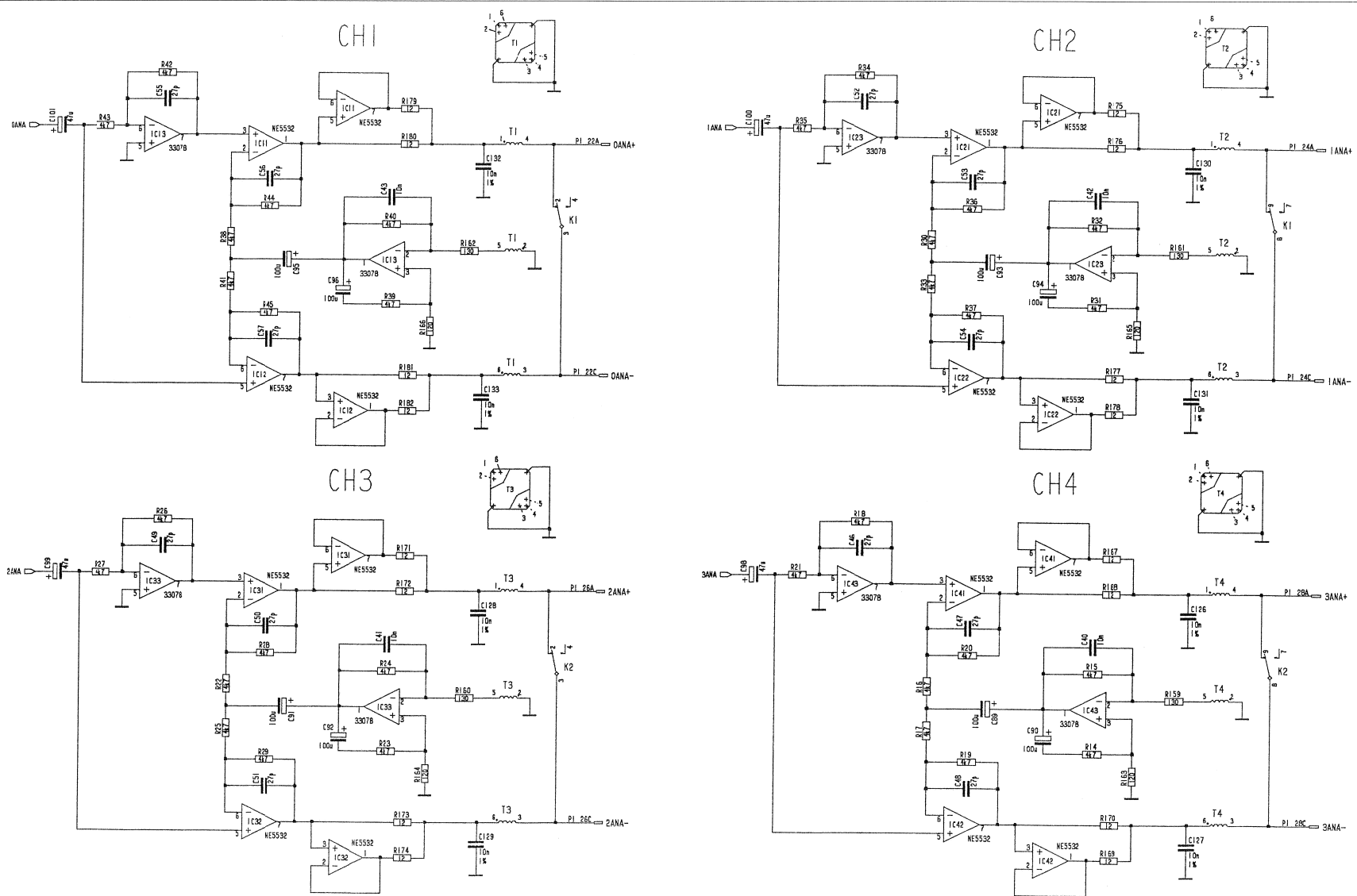


DI9M C4 DA Board 1.940.570.21





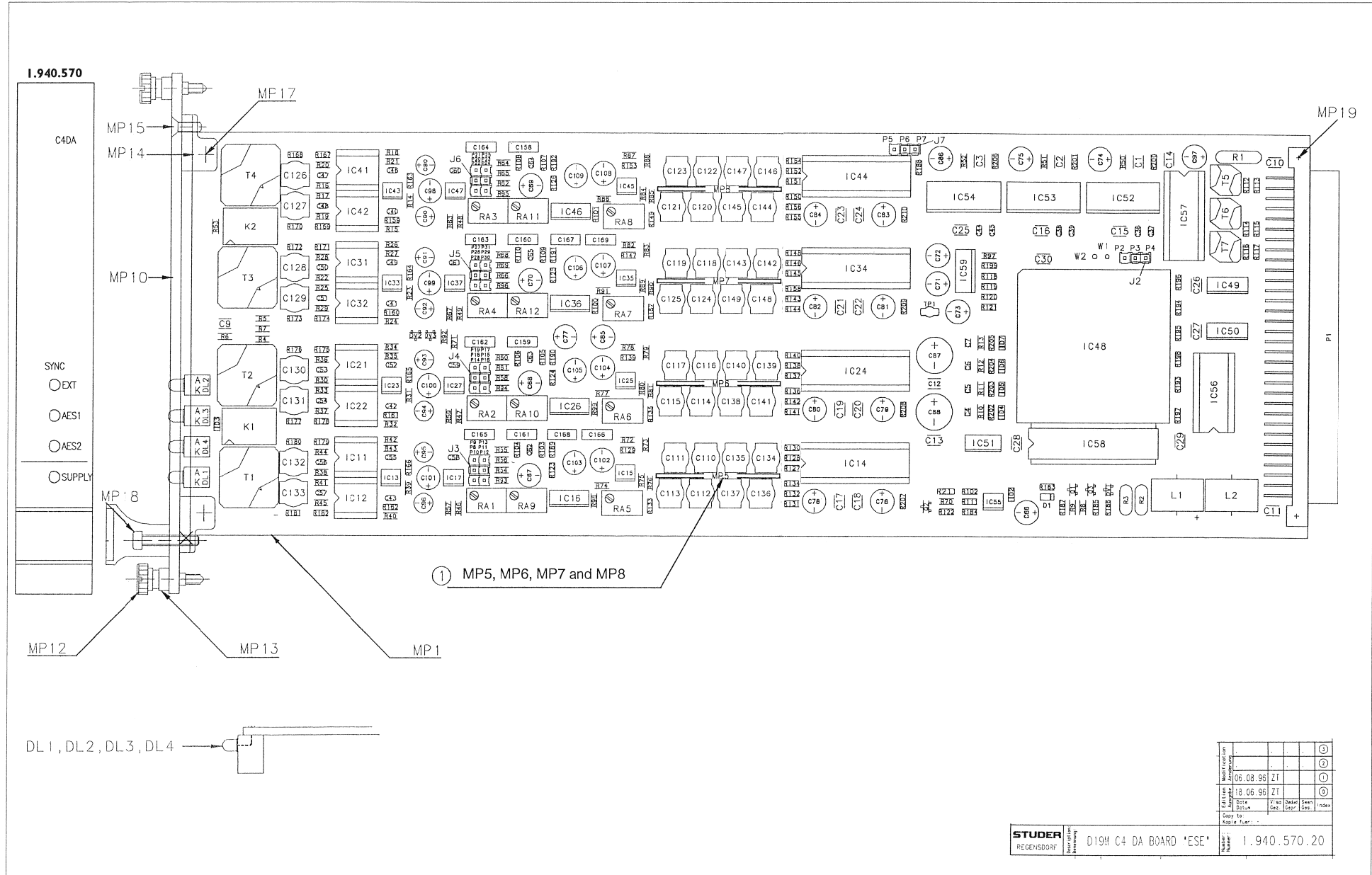
D19M C4 DA Board 1.940.570.21



© 18.06.96 / ZT	© 06.08.96 / ZT	○	○	○
STUDER			D19M	PAGE 5 / 5
D19M C4 DA Board			SC	1.940.570.20



D19M C4 DA Board 1.940.570.21



① MP5, MP6, MP7 and MP8

Modifikation				
Version	06.08.96	ZT		
Erstellt	18.06.96	ZT		
Geprüft				
Copy to Apple Tier:				

STUDER
REGENSDORF
D19M C4 DA BOARD *ESE*
Number: 1.940.570.20



D19M C4 DA Board I.940.570.21

Idx.	Pos.	Part No.	Qty.	Type/Val.	Description	Idx.	Pos.	Part No.	Qty.	Type/Val.	Description
0	C 1	59.60.1473		47n	CER 63V, 10%, X7R, 1210	0	C 93	59.22.4002		100uF	EL 16V, 20%, RM5
0	C 2	59.60.1473		47n	CER 63V, 10%, X7R, 1210	0	C 94	59.22.4002		100uF	EL 16V, 20%, RM5
0	C 3	59.60.1473		47n	CER 63V, 10%, X7R, 1210	0	C 95	59.22.4002		100uF	EL 16V, 20%, RM5
0	C 4	59.60.1472		4n7	CER 63V, 10%, X7R, 0805	0	C 96	59.22.4002		100uF	EL 16V, 20%, RM5
0	C 5	59.60.1472		4n7	CER 63V, 10%, X7R, 0805	0	C 97	59.22.3470		47u	EL 10V, 20%, RM5
0	C 6	59.60.1472		4n7	CER 63V, 10%, X7R, 0805	0	C 98	59.22.3470		47u	EL 10V, 20%, RM5
0	C 7	59.60.1472		4n7	CER 63V, 10%, X7R, 0805	0	C 99	59.22.3470		47u	EL 10V, 20%, RM5
0	C 9	59.60.1104		100n	CER 63V, 10%, X7R, 1210	0	C 100	59.22.3470		47u	EL 10V, 20%, RM5
0	C 10	59.60.1104		100n	CER 63V, 10%, X7R, 1210	0	C 101	59.22.3470		47u	EL 10V, 20%, RM5
0	C 11	59.60.1104		100n	CER 63V, 10%, X7R, 1210	0	C 102	59.22.3470		47u	EL 10V, 20%, RM5
0	C 12	59.60.1104		100n	CER 63V, 10%, X7R, 1210	0	C 103	59.22.3470		47u	EL 10V, 20%, RM5
0	C 13	59.60.1104		100n	CER 63V, 10%, X7R, 1210	0	C 104	59.22.3470		47u	EL 10V, 20%, RM5
0	C 14	59.60.1104		100n	CER 63V, 10%, X7R, 1210	0	C 105	59.22.3470		47u	EL 10V, 20%, RM5
0	C 15	59.60.1104		100n	CER 63V, 10%, X7R, 1210	0	C 106	59.22.3470		47u	EL 10V, 20%, RM5
0	C 16	59.60.1104		100n	CER 63V, 10%, X7R, 1210	0	C 107	59.22.3470		47u	EL 10V, 20%, RM5
0	C 17	59.60.1104		100n	CER 63V, 10%, X7R, 1210	0	C 108	59.22.3470		47u	EL 10V, 20%, RM5
0	C 18	59.60.1104		100n	CER 63V, 10%, X7R, 1210	0	C 109	59.22.3470		47u	EL 10V, 20%, RM5
0	C 19	59.60.1104		100n	CER 63V, 10%, X7R, 1210	0	C 110	59.05.1221		220p	PP, 1%, 630V
0	C 20	59.60.1104		100n	CER 63V, 10%, X7R, 1210	0	C 111	59.05.1221		220p	PP, 1%, 630V
0	C 21	59.60.1104		100n	CER 63V, 10%, X7R, 1210	0	C 112	59.05.1221		220p	PP, 1%, 630V
0	C 22	59.60.1104		100n	CER 63V, 10%, X7R, 1210	0	C 113	59.05.1221		220p	PP, 1%, 630V
0	C 23	59.60.1104		100n	CER 63V, 10%, X7R, 1210	0	C 114	59.05.1221		220p	PP, 1%, 630V
0	C 24	59.60.1104		100n	CER 63V, 10%, X7R, 1210	0	C 115	59.05.1221		220p	PP, 1%, 630V
0	C 25	59.60.1104		100n	CER 63V, 10%, X7R, 1210	0	C 116	59.05.1221		220p	PP, 1%, 630V
0	C 26	59.60.1104		100n	CER 63V, 10%, X7R, 1210	0	C 117	59.05.1221		220p	PP, 1%, 630V
0	C 27	59.60.1104		100n	CER 63V, 10%, X7R, 1210	0	C 118	59.05.1221		220p	PP, 1%, 630V
0	C 28	59.60.1104		100n	CER 63V, 10%, X7R, 1210	0	C 119	59.05.1221		220p	PP, 1%, 630V
0	C 29	59.60.1104		100n	CER 63V, 10%, X7R, 1210	0	C 120	59.05.1221		220p	PP, 1%, 630V
0	C 30	59.60.1104		100n	CER 63V, 10%, X7R, 1210	0	C 121	59.05.1221		220p	PP, 1%, 630V
0	C 36	59.60.1103		10n	CER 63V, 10%, X7R, 0805	0	C 122	59.05.1221		220p	PP, 1%, 630V
0	C 37	59.60.1103		10n	CER 63V, 10%, X7R, 0805	0	C 123	59.05.1221		220p	PP, 1%, 630V
0	C 38	59.60.1103		10n	CER 63V, 10%, X7R, 0805	0	C 124	59.05.1221		220p	PP, 1%, 630V
0	C 39	59.60.1103		10n	CER 63V, 10%, X7R, 0805	0	C 125	59.05.1221		220p	PP, 1%, 630V
0	C 40	59.60.1103		10n	CER 63V, 10%, X7R, 0805	0	C 126	59.05.1103		10n	PP, 1%, 63V
0	C 41	59.60.1103		10n	CER 63V, 10%, X7R, 0805	0	C 127	59.05.1103		10n	PP, 1%, 63V
0	C 42	59.60.1103		10n	CER 63V, 10%, X7R, 0805	0	C 128	59.05.1103		10n	PP, 1%, 63V
0	C 43	59.60.1103		10n	CER 63V, 10%, X7R, 0805	0	C 129	59.05.1103		10n	PP, 1%, 63V
0	C 44	59.60.1103		10n	CER 63V, 10%, X7R, 0805	0	C 130	59.05.1103		10n	PP, 1%, 63V
0	C 45	59.60.1103		10n	CER 63V, 10%, X7R, 0805	0	C 131	59.05.1103		10n	PP, 1%, 63V
0	C 46	59.60.0270		27p	CER 63V, 5%, C0G, 0805	0	C 132	59.05.1103		10n	PP, 1%, 63V
0	C 47	59.60.0270		27p	CER 63V, 5%, C0G, 0805	0	C 133	59.05.1103		10n	PP, 1%, 63V
0	C 48	59.60.0270		27p	CER 63V, 5%, C0G, 0805	0	C 134	59.05.1102		1n0	PP, 1%, 630V
0	C 49	59.60.0270		27p	CER 63V, 5%, C0G, 0805	0	C 135	59.05.1102		1n0	PP, 1%, 630V
0	C 50	59.60.0270		27p	CER 63V, 5%, C0G, 0805	0	C 136	59.05.1102		1n0	PP, 1%, 630V
0	C 51	59.60.0270		27p	CER 63V, 5%, C0G, 0805	0	C 137	59.05.1102		1n0	PP, 1%, 630V
0	C 52	59.60.0270		27p	CER 63V, 5%, C0G, 0805	0	C 138	59.05.1102		1n0	PP, 1%, 630V
0	C 53	59.60.0270		27p	CER 63V, 5%, C0G, 0805	0	C 139	59.05.1102		1n0	PP, 1%, 630V
0	C 54	59.60.0270		27p	CER 63V, 5%, C0G, 0805	0	C 140	59.05.1102		1n0	PP, 1%, 630V
0	C 55	59.60.0270		27p	CER 63V, 5%, C0G, 0805	0	C 141	59.05.1102		1n0	PP, 1%, 630V
0	C 56	59.60.0270		27p	CER 63V, 5%, C0G, 0805	0	C 142	59.05.1102		1n0	PP, 1%, 630V
0	C 57	59.60.0270		27p	CER 63V, 5%, C0G, 0805	0	C 143	59.05.1102		1n0	PP, 1%, 630V
0	C 58	59.60.0270		27p	CER 63V, 5%, C0G, 0805	0	C 144	59.05.1102		1n0	PP, 1%, 630V
0	C 59	59.60.0270		27p	CER 63V, 5%, C0G, 0805	0	C 145	59.05.1102		1n0	PP, 1%, 630V
0	C 60	59.60.0270		27p	CER 63V, 5%, C0G, 0805	0	C 146	59.05.1102		1n0	PP, 1%, 630V
0	C 61	59.60.0270		27p	CER 63V, 5%, C0G, 0805	0	C 147	59.05.1102		1n0	PP, 1%, 630V
0	C 62	59.60.0221		220p	CER 63V, 5%, C0G, 0805	0	C 148	59.05.1102		1n0	PP, 1%, 630V
0	C 63	59.60.0221		220p	CER 63V, 5%, C0G, 0805	0	C 149	59.05.1102		1n0	PP, 1%, 630V
0	C 64	59.60.0221		220p	CER 63V, 5%, C0G, 0805	0	C 158	59.06.0104		100n	PETP, 63V, 10%, RM5
0	C 65	59.60.0221		220p	CER 63V, 5%, C0G, 0805	0	C 159	59.06.0104		100n	PETP, 63V, 10%, RM5
0	C 66	59.22.8479		4u7	EL 50V, 20%, RM5	0	C 160	59.06.0104		100n	PETP, 63V, 10%, RM5
0	C 67	59.22.8109		1u	EL 50V, 20%, RM5	0	C 161	59.06.0104		100n	PETP, 63V, 10%, RM5
0	C 68	59.22.8109		1u	EL 50V, 20%, RM5	0	C 162	59.06.0104		100n	PETP, 63V, 10%, RM5
0	C 69	59.22.8109		1u	EL 50V, 20%, RM5	0	C 163	59.06.0104		100n	PETP, 63V, 10%, RM5
0	C 70	59.22.8109		1u	EL 50V, 20%, RM5	0	C 164	59.06.0104		100n	PETP, 63V, 10%, RM5
0	C 71	59.22.8100		10u	EL 35V, 20%, RM5	0	C 165	59.06.0104		100n	PETP, 63V, 10%, RM5
0	C 72	59.22.8100		10u	EL 35V, 20%, RM5	0	C 166	59.06.0104		100n	PETP, 63V, 10%, RM5
0	C 73	59.22.8100		10u	EL 35V, 20%, RM5	0	C 167	59.06.0104		100n	PETP, 63V, 10%, RM5
0	C 74	59.22.8100		10u	EL 35V, 20%, RM5	0	C 168	59.06.0104		100n	PETP, 63V, 10%, RM5
0	C 75	59.22.8100		10u	EL 35V, 20%, RM5	0	C 169	59.06.0104		100n	PETP, 63V, 10%, RM5
0	C 76	59.22.8100		10u	EL 35V, 20%, RM5						
0	C 77	59.22.8100		10u	EL 35V, 20%, RM5	0	D 1	50.60.8001	4448	200mA	75V 4ns SOD 80
0	C 78	59.22.8100		10u	EL 35V, 20%, RM5	0	D 2	50.60.8001	4448	200mA	75V 4ns SOD 80
0	C 79	59.22.8100		10u	EL 35V, 20%, RM5	0	D 3	50.60.8001	4448	200mA	75V 4ns SOD 80
0	C 80	59.22.8100		10u	EL 35V, 20%, RM5	0	D 4	50.60.8001	4448	200mA	75V 4ns SOD 80
0	C 81	59.22.8100		10u	EL 35V, 20%, RM5	0	D 5	50.60.8001	4448	200mA	75V 4ns SOD 80
0	C 82	59.22.8100		10u	EL 35V, 20%, RM5	0	D 6	50.60.8001	4448	200mA	75V 4ns SOD 80
0	C 83	59.22.8100		10u	EL 35V, 20%, RM5	0	D 7	50.60.8001	4448	200mA	75V 4ns SOD 80
0	C 84	59.22.8100		10u	EL 35V, 20%, RM5						
0	C 85	59.22.8100		10u	EL 35V, 20%, RM5	0	DL 1	50.04.2202		HLMP-1790	DL HLMP - 1790 GN
0	C 86	59.22.8100		10u	EL 35V, 20%, RM5	0	DL 2	50.04.2202		HLMP-1790	DL HLMP - 1790 GN
0	C 87	59.22.5101		100u	EL 25V, 20%, RM5	0	DL 3	50.04.2202		HLMP-1790	DL HLMP - 1790 GN
0	C 88	59.22.5101		100u	EL 25V, 20%, RM5	0	DL 4	50.04.2202		HLMP-1790	DL HLMP - 1790 GN
0	C 89	59.22.4002		100uF	EL 16V, 20%, RM5						
0	C 90	59.22.4002		100uF	EL 16V, 20%, RM5	0	DV 1	50.60.9026		24V	5%, 0.2W, SOT 23
0	C 91	59.22.4002		100uF	EL 16V, 20%, RM5	0	DV 2	50.60.9011		5V6	5%, 0.2W, SOT 23
0	C 92	59.22.4002		100uF	EL 16V, 20%, RM5	0	DV 3	50.60.9011		5V6	5%, 0.2W, SOT 23



D19M C4 DA Board I.940.570.21

Idx.	Pos.	Part No.	Qty.	Type/Val.	Description	Idx.	Pos.	Part No.	Qty.	Type/Val.	Description
0	IC 11	50.09.0106		5532AN	IC NE 5532 AN, NE 5532 AN, ,A	0	P 14	54.11.0136	1 pce	2*3p	Pin 0.63*0.63, RM2.54
0	IC 12	50.09.0106		5532AN	IC NE 5532 AN, NE 5532 AN, ,A	0	P 15	54.01.0020	0 pce	1p	Pin 0.63*0.63
0	IC 13	50.61.0204		MC33078	Dual Op-Amp low noise	0	P 16	54.01.0020	0 pce	1p	Pin 0.63*0.63
0	IC 14	50.19.0116		CS4390	D/A Converter 24bit stereo	0	P 17	54.01.0020	0 pce	1p	Pin 0.63*0.63
0	IC 15	50.61.0204		MC33078	Dual Op-Amp low noise	0	P 18	54.01.0020	0 pce	1p	Pin 0.63*0.63
0	IC 16	50.62.8053		HC4053	Tripple 2ch analog mux/demux	0	P 19	54.01.0020	0 pce	1p	Pin 0.63*0.63
0	IC 17	50.61.0204		MC33078	Dual Op-Amp low noise	0	P 20	54.11.0136	1 pce	2*3p	Pin 0.63*0.63, RM2.54
0	IC 21	50.09.0106		5532AN	IC NE 5532 AN, NE 5532 AN, ,A	0	P 21	54.01.0020	0 pce	1p	Pin 0.63*0.63
0	IC 22	50.09.0106		5532AN	IC NE 5532 AN, NE 5532 AN, ,A	0	P 22	54.01.0020	0 pce	1p	Pin 0.63*0.63
0	IC 23	50.61.0204		MC33078	Dual Op-Amp low noise	0	P 23	54.01.0020	0 pce	1p	Pin 0.63*0.63
0	IC 24	50.19.0116		CS4390	D/A Converter 24bit stereo	0	P 24	54.01.0020	0 pce	1p	Pin 0.63*0.63
0	IC 25	50.61.0204		MC33078	Dual Op-Amp low noise	0	P 25	54.01.0020	0 pce	1p	Pin 0.63*0.63
0	IC 26	50.62.8053		HC4053	Tripple 2ch analog mux/demux	0	P 26	54.11.0136	1 pce	2*3p	Pin 0.63*0.63, RM2.54
0	IC 27	50.61.0204		MC33078	Dual Op-Amp low noise	0	P 27	54.01.0020	0 pce	1p	Pin 0.63*0.63
0	IC 31	50.09.0106		5532AN	IC NE 5532 AN, NE 5532 AN, ,A	0	P 28	54.01.0020	0 pce	1p	Pin 0.63*0.63
0	IC 32	50.09.0106		5532AN	IC NE 5532 AN, NE 5532 AN, ,A	0	P 29	54.01.0020	0 pce	1p	Pin 0.63*0.63
0	IC 33	50.61.0204		MC33078	Dual Op-Amp low noise	0	P 30	54.01.0020	0 pce	1p	Pin 0.63*0.63
0	IC 34	50.19.0116		CS4390	D/A Converter 24bit stereo	0	P 31	54.01.0020	0 pce	1p	Pin 0.63*0.63
0	IC 35	50.61.0204		MC33078	Dual Op-Amp low noise	0	Q 1	50.60.1001		BC857B	PNP 45V 100mA SOT 23
0	IC 36	50.62.8053		HC4053	Tripple 2ch analog mux/demux	0	Q 2	50.60.1001		BC857B	PNP 45V 100mA SOT 23
0	IC 37	50.61.0204		MC33078	Dual Op-Amp low noise	0	Q 3	50.60.0001		BC847B	PNP 45V 100mA SOT 23
0	IC 41	50.09.0106		5532AN	IC NE 5532 AN, NE 5532 AN, ,A	0	R 1	57.92.7053		1.6A	POLY- PTC, 30V
0	IC 42	50.09.0106		5532AN	IC NE 5532 AN, NE 5532 AN, ,A	0	R 2	57.92.7019		0.4A	POLY- PTC, 60V
0	IC 43	50.61.0204		MC33078	Dual Op-Amp low noise	0	R 3	57.92.7019		0.4A	POLY- PTC, 60V
0	IC 44	50.19.0116		CS4390	D/A Converter 24bit stereo	0	R 4	57.60.1821		820R	MF, 1%, 0204, E24
0	IC 45	50.61.0204		MC33078	Dual Op-Amp low noise	0	R 5	57.60.1821		820R	MF, 1%, 0204, E24
0	IC 46	50.62.8053		HC4053	Tripple 2ch analog mux/demux	0	R 6	57.60.1821		820R	MF, 1%, 0204, E24
0	IC 47	50.61.0204		MC33078	Dual Op-Amp low noise	0	R 7	57.60.1821		820R	MF, 1%, 0204, E24
0	IC 48	1.940.970.20		SW 570 MICODAC (50.63.4205)		0	R 8	57.60.1821		820R	MF, 1%, 0204, E24
0	IC 49	50.62.3166		74HCT166	8bit parallel in/serial out	0	R 9	57.60.1683		68K	MF, 1%, 0204, E24
0	IC 50	50.62.3166		74HCT166	8bit parallel in/serial out	0	R 10	57.60.1562		5K6	MF, 1%, 0204, E24
0	IC 51	50.62.1014		74HC 14	Hey Schmitt trigger inverter	0	R 11	57.60.1475		4M7	MF, 1%, 0204, E24
0	IC 52	50.62.0913		CS8412	AES-Receiver	0	R 12	57.60.1475		4M7	MF, 1%, 0204, E24
0	IC 53	50.62.0913		CS8412	AES-Receiver	0	R 13	57.60.1475		4M7	MF, 1%, 0204, E24
0	IC 54	50.62.0913		CS8412	AES-Receiver	0	R 14	57.60.1472		4K7	MF, 1%, 0204, E24
0	IC 55	50.61.9001		LM393	Dual voltage comp. SO 8	0	R 15	57.60.1472		4K7	MF, 1%, 0204, E24
0	IC 56	50.17.7014		ACT14	.. 74 ACT 14 .	0	R 16	57.60.1472		4K7	MF, 1%, 0204, E24
0	IC 57	50.15.0128		34C86	IC DS 34 C 86 TN, MC34C86P ,A	0	R 17	57.60.1472		4K7	MF, 1%, 0204, E24
0	IC 58	50.14.1009		7C128A	SRAM 2K*8 35ns	0	R 18	57.60.1472		4K7	MF, 1%, 0204, E24
0	IC 59	50.10.0104		LM317SP	IC LM 317 SP, ..T,	0	R 19	57.60.1472		4K7	MF, 1%, 0204, E24
0	J 2	54.01.0021		Jumper	0.63 * 0.63mm	0	R 20	57.60.1472		4K7	MF, 1%, 0204, E24
0	J 3	54.01.0021		Jumper	0.63 * 0.63mm	0	R 21	57.60.1472		4K7	MF, 1%, 0204, E24
0	J 4	54.01.0021		Jumper	0.63 * 0.63mm	0	R 22	57.60.1472		4K7	MF, 1%, 0204, E24
0	J 5	54.01.0021		Jumper	0.63 * 0.63mm	0	R 23	57.60.1472		4K7	MF, 1%, 0204, E24
0	J 6	54.01.0021		Jumper	0.63 * 0.63mm	0	R 24	57.60.1472		4K7	MF, 1%, 0204, E24
0	J 7	54.01.0021		Jumper	0.63 * 0.63mm	0	R 25	57.60.1472		4K7	MF, 1%, 0204, E24
0	K 1	56.04.0197		2u	24V 125V 2A Ag/Au	0	R 26	57.60.1472		4K7	MF, 1%, 0204, E24
0	K 2	56.04.0197		2u	24V 125V 2A Ag/Au	0	R 27	57.60.1472		4K7	MF, 1%, 0204, E24
0	L 1	62.03.0010		48uH	2A Toroid Chocke	0	R 28	57.60.1472		4K7	MF, 1%, 0204, E24
0	L 2	62.03.0010		48uH	2A Toroid Chocke	0	R 29	57.60.1472		4K7	MF, 1%, 0204, E24
0	MP 1	1.940.570.12			D19M C4 DA BOARD PCB	0	R 30	57.60.1472		4K7	MF, 1%, 0204, E24
0	MP 2	1.940.570.04			TYPENSCHILD	0	R 31	57.60.1472		4K7	MF, 1%, 0204, E24
0	MP 3	43.01.0108		Label	ESE-WARNSCHILD	0	R 32	57.60.1472		4K7	MF, 1%, 0204, E24
0	MP 4	1.101.001.21			TEXT-ETIK. 5*20 HARDWARE -21	0	R 33	57.60.1472		4K7	MF, 1%, 0204, E24
0	MP 5	1.940.570.02			Abschirmblech	0	R 34	57.60.1472		4K7	MF, 1%, 0204, E24
0	MP 6	1.940.570.02			Abschirmblech	0	R 35	57.60.1472		4K7	MF, 1%, 0204, E24
0	MP 7	1.940.570.02			Abschirmblech	0	R 36	57.60.1472		4K7	MF, 1%, 0204, E24
0	MP 8	1.940.570.02			Abschirmblech	0	R 37	57.60.1472		4K7	MF, 1%, 0204, E24
0	MP 10	1.940.570.01	1 pce		FRONTPLATTE	0	R 38	57.60.1472		4K7	MF, 1%, 0204, E24
0	MP 11	1.940.600.04	1 pce		GRIFFEINLAGE 4TE	0	R 39	57.60.1472		4K7	MF, 1%, 0204, E24
0	MP 12	49.02.0520	2 pcs	M2.5*12	Rändelschraube (Rack)	0	R 40	57.60.1472		4K7	MF, 1%, 0204, E24
0	MP 13	49.02.0521	2 pcs		Metall-Buchse (Rack)	0	R 41	57.60.1472		4K7	MF, 1%, 0204, E24
0	MP 14	49.02.0522	2 pcs		Kartenhalter (Rack)	0	R 42	57.60.1472		4K7	MF, 1%, 0204, E24
0	MP 15	49.02.0523	1 pce	M2.5*7	Senk-Schr. KS, Senkripp	0	R 43	57.60.1472		4K7	MF, 1%, 0204, E24
0	MP 16	49.02.0504	1 pce	4TE	Frontplatten-Griff	0	R 44	57.60.1472		4K7	MF, 1%, 0204, E24
0	MP 17	21.53.0279	2 pcs	M2.5*6	Z-Schraube Inbus Zn gb chr	0	R 45	57.60.1472		4K7	MF, 1%, 0204, E24
0	MP 18	21.53.0284	1 pce	M2.5*16	Z-Schraube Inbus Zn gb chr	0	R 46	57.60.1470		47R	MF, 1%, 0204, E24
0	MP 19	28.99.0119	2 pcs		ROHRNIETE D 2.5*0.15* 9	0	R 47	57.60.1470		47R	MF, 1%, 0204, E24
0	P 1	54.11.2009	1 pce	96p	EU-R 3*32p	0	R 48	57.60.1470		47R	MF, 1%, 0204, E24
0	P 2	54.01.0020	1 pce	1p	Pin 0.63*0.63	0	R 49	57.60.1391		390R	MF, 1%, 0204, E24
0	P 3	54.01.0020	1 pce	1p	Pin 0.63*0.63	0	R 50	57.60.1362		3K6	MF, 1%, 0204, E24
0	P 4	54.01.0020	1 pce	1p	Pin 0.63*0.63	0	R 51	57.60.1362		3K6	MF, 1%, 0204, E24
0	P 5	54.01.0020	1 pce	1p	Pin 0.63*0.63	0	R 52	57.60.1362		3K6	MF, 1%, 0204, E24
0	P 6	54.01.0020	1 pce	1p	Pin 0.63*0.63	0	R 53	57.60.1362		3K6	MF, 1%, 0204, E24
0	P 7	54.01.0020	1 pce	1p	Pin 0.63*0.63	0	R 54	57.60.1362		3K6	MF, 1%, 0204, E24
0	P 8	54.11.0136	1 pce	2*3p	Pin 0.63*0.63, RM2.54	0	R 55	57.60.1362		3K6	MF, 1%, 0204, E24
0	P 9	54.01.0020	0 pce	1p	Pin 0.63*0.63	0	R 56	57.60.1362		3K6	MF, 1%, 0204, E24
0	P 10	54.01.0020	0 pce	1p	Pin 0.63*0.63	0	R 57	57.60.1362		3K6	MF, 1%, 0204, E24
0	P 11	54.01.0020	0 pce	1p	Pin 0.63*0.63	0	R 58	57.60.1362		3K6	MF, 1%, 0204, E24
0	P 12	54.01.0020	0 pce	1p	Pin 0.63*0.63	0	R 59	57.60.1362		3K6	MF, 1%, 0204, E24
0	P 13	54.01.0020	0 pce	1p	Pin 0.63*0.63	0	R 60	57.60.1362		3K6	MF, 1%, 0204, E24
0	P 14	54.11.0136	1 pce	2*3p	Pin 0.63*0.63, RM2.54	0	R 61	57.60.1362		3K6	MF, 1%, 0204, E24
0	P 15	54.01.0020	0 pce	1p	Pin 0.63*0.63	0	R 62	57.60.1362		3K6	MF, 1%, 0204, E24
0	P 16	54.01.0020	0 pce	1p	Pin 0.63*0.63	0	R 63	57.60.1362		3K6	MF, 1%, 0204, E24
0	P 17	54.01.0020	0 pce	1p	Pin 0.63*0.63	0	R 64	57.60.1362		3K6	MF, 1%, 0204, E24

**DI9M C4 DA Board I.940.570.21**

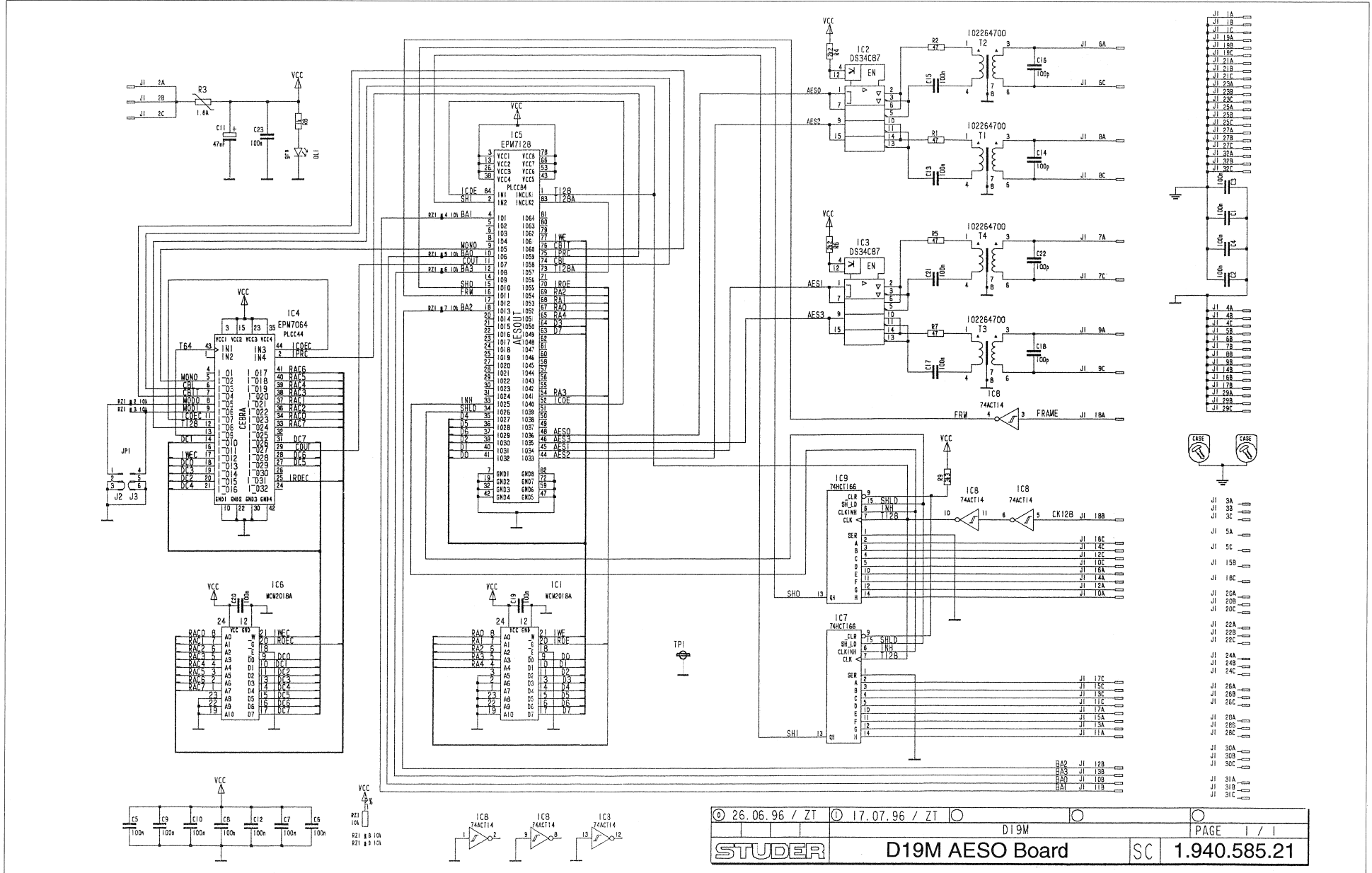
Idx.	Pos.	Part No.	Qty.	Type/Val.	Description
0	XDL 1	50.20.2501		Spacer	LED-Sockel
0	XDL 2	50.20.2501		Spacer	LED-Sockel
0	XDL 3	50.20.2501		Spacer	LED-Sockel
0	XDL 4	50.20.2501		Spacer	LED-Sockel
0	XIC 11	53.03.0166		8p	DIL 0.3", lot, gerade
0	XIC 12	53.03.0166		8p	DIL 0.3", lot, gerade
0	XIC 21	53.03.0166		8p	DIL 0.3", lot, gerade
0	XIC 22	53.03.0166		8p	DIL 0.3", lot, gerade
0	XIC 31	53.03.0166		8p	DIL 0.3", lot, gerade
0	XIC 32	53.03.0166		8p	DIL 0.3", lot, gerade
0	XIC 41	53.03.0166		8p	DIL 0.3", lot, gerade
0	XIC 42	53.03.0166		8p	DIL 0.3", lot, gerade
0	XIC 48	53.03.2284		PLCC84p	PLCC-Socket 84p

End of List

Comments:



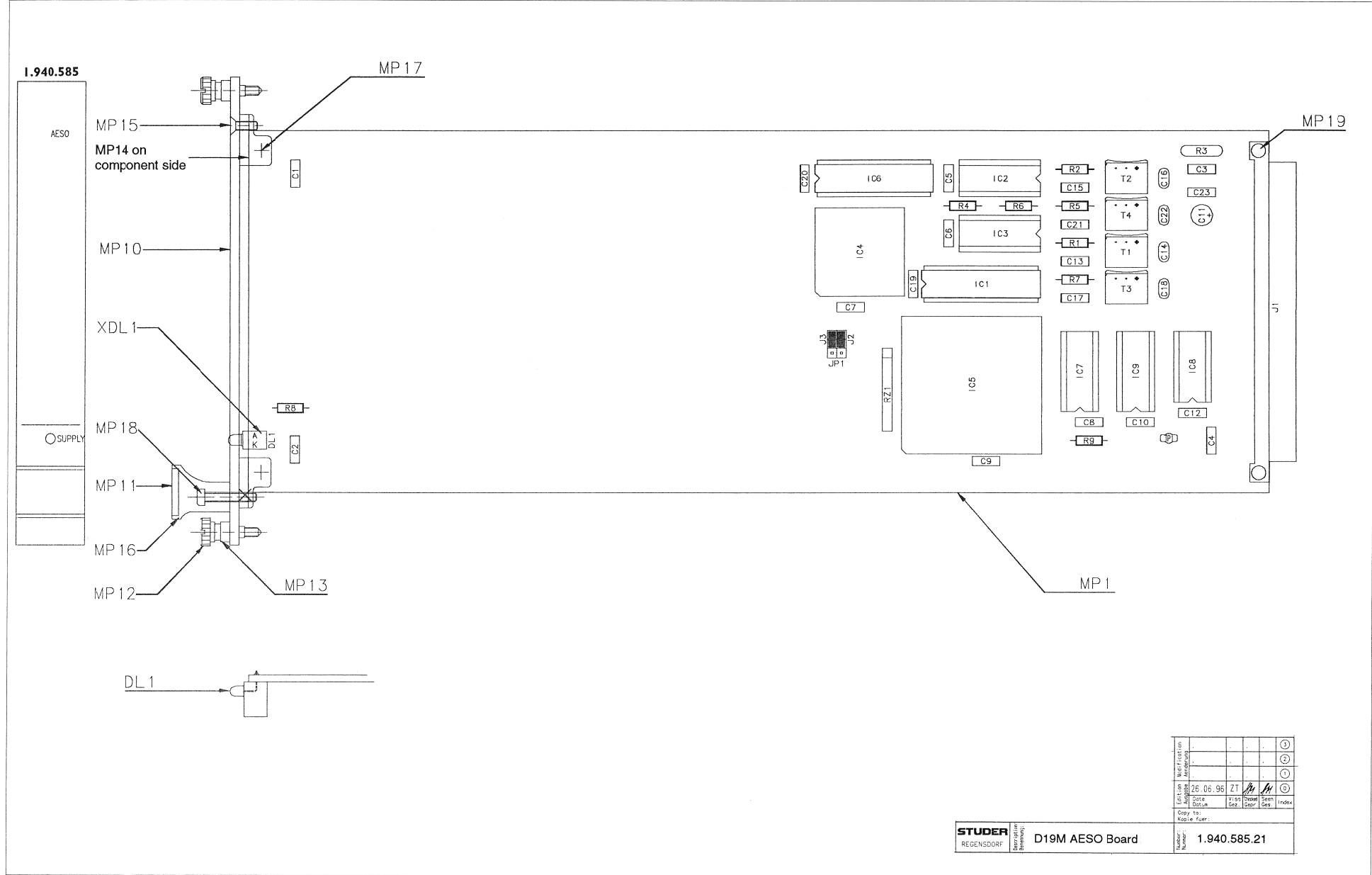
D19M AESO Board 1.940.585.21



© 26.06.96 / ZT	© 17.07.96 / ZT	D19M	PAGE 1 / 1
STUDER		D19M AESO Board	SC 1.940.585.21



D19M AESO Board 1.940.585.21



Excl. Lab.	Mod. Position						
Abgleich	26.06.96	ZT					
Gepl. Station		Visi	Draw	Seen			
		Loch	Loch	Loch			
Copy to:							
App. le fuer:							

STUDER REGENSDORF
 D19M AESO Board
 Number: 1.940.585.21



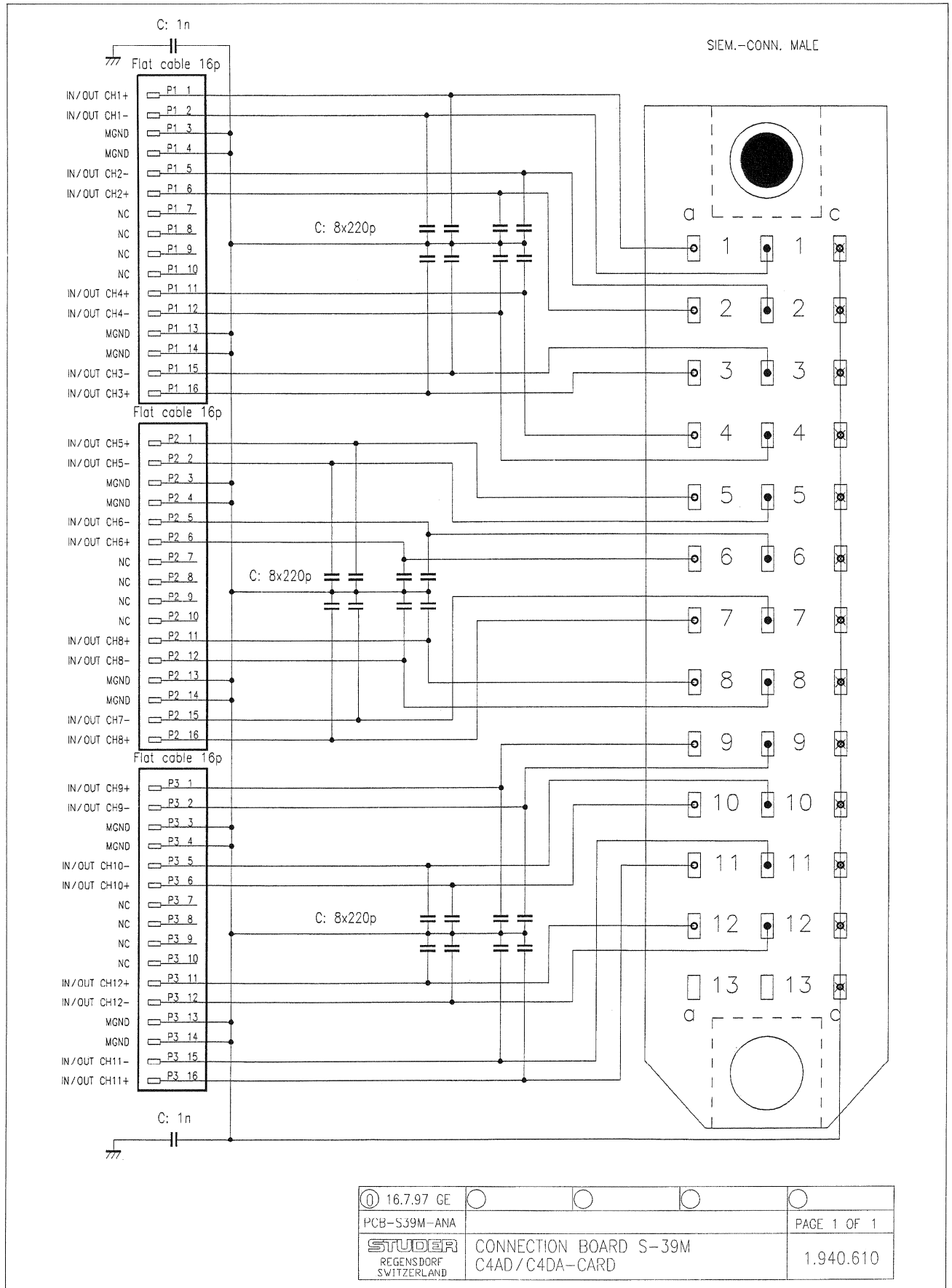
D19M AESO Board I.940.585.2I

Idx.	Pos.	Part No.	Qty.	Type/Val.	Description
0	C 1	59.06.0104		100n	PETP, 63V, 10%, RM5
0	C 2	59.06.0104		100n	PETP, 63V, 10%, RM5
0	C 3	59.06.0104		100n	PETP, 63V, 10%, RM5
0	C 4	59.06.0104		100n	PETP, 63V, 10%, RM5
0	C 5	59.06.0104		100n	PETP, 63V, 10%, RM5
0	C 6	59.06.0104		100n	PETP, 63V, 10%, RM5
0	C 7	59.06.0104		100n	PETP, 63V, 10%, RM5
0	C 8	59.06.0104		100n	PETP, 63V, 10%, RM5
0	C 9	59.06.0104		100n	PETP, 63V, 10%, RM5
0	C 10	59.06.0104		100n	PETP, 63V, 10%, RM5
0	C 11	59.22.3470		47u	EL 10V, 20%, RM5
0	C 12	59.06.0104		100n	PETP, 63V, 10%, RM5
0	C 13	59.06.0104		100n	PETP, 63V, 10%, RM5
0	C 14	59.34.4101		100p	CER 63V, 5%, N750
0	C 15	59.06.0104		100n	PETP, 63V, 10%, RM5
0	C 16	59.34.4101		100p	CER 63V, 5%, N750
0	C 17	59.06.0104		100n	PETP, 63V, 10%, RM5
0	C 18	59.34.4101		100p	CER 63V, 5%, N750
0	C 19	59.06.0104		100n	PETP, 63V, 10%, RM5
0	C 20	59.06.0104		100n	PETP, 63V, 10%, RM5
0	C 21	59.06.0104		100n	PETP, 63V, 10%, RM5
0	C 22	59.34.4101		100p	CER 63V, 5%, N750
0	C 23	59.06.0104		100n	PETP, 63V, 10%, RM5
0	DL 1	50.04.2202		HLMP1790	DL HLMP - 1790 GN
0	IC 1	50.14.1009		CY7C128-35	IC MCM 2018 A - 35 ,A
0	IC 2	50.15.0127		34C87	IC DS 34 C 87 TN, MC34C87P ,A
0	IC 3	50.15.0127		34C87	IC DS 34 C 87 TN, MC34C87P ,A
0	IC 4	1.940.962.21			SW 585 CEBRA (50.63.4202)
0	IC 5	1.940.964.20			SW 585 AESOUT (50.63.4205)
0	IC 6	50.14.1009		CY7C128-35	IC MCM 2018 A - 35 ,A
0	IC 7	50.17.0166		74HCT166	8 Bit parallel in/serial out
0	IC 8	50.17.7014		ACT14	.. 74 ACT 14 .
0	IC 9	50.17.0166		74HCT166	8 Bit parallel in/serial out
0	J 1	54.11.2009			J EU-R 3 * 32
0	J 2	54.01.0021		Jumper	0.63 * 0.63mm
0	J 3	54.01.0021		Jumper	0.63 * 0.63mm
0	JP 1	54.11.0136		2*3p	Pin 0.63*0.63, RM2.54
0	MP 1	1.940.585.12			D19M AESO BOARD PCB
0	MP 2	1.940.585.04			TYPENSCHILD
0	MP 3	43.01.0108	mp	Label	ESE-WARNschild
0	MP 4	1.101.001.20	mp	Label	TEXT-ETIK. 5*20 HARDWARE -20
0	MP 10	1.940.585.01	1 pce		FRONTPLATTE
0	MP 11	1.940.600.04	1 pce		GRIFFEINLAGE 4TE
0	MP 12	49.02.0520	2 pcs	M2.5*12	Rändelschraube (Rack)
0	MP 13	49.02.0521	2 pcs		Metall-Buchse (Rack)
0	MP 14	49.02.0522	2 pcs		Kartenhalter (Rack)
0	MP 15	49.02.0523	1 pce	M2.5*7	Senk-Schr, KS, Senkripp
0	MP 16	49.02.0504	1 pce	4TE	Frontplatten-Griff
0	MP 17	21.53.0279	2 pcs		Z - SCHR. IS , ZN , M2.5 * 6
0	MP 18	21.53.0284	1 pce		Z - SCHR. IS , ZN , M2.5 * 16
0	MP 19	28.99.0119	2 pcs		ROHRNIETE D 2.5*0.15* 9
0	R 1	57.11.3470		47R	MF, 1%, 0207
0	R 2	57.11.3470		47R	MF, 1%, 0207
0	R 3	57.92.7053		1.6A	POLY- PTC, 30V
0	R 4	57.11.3222		2k2	MF, 1%, 0207
0	R 5	57.11.3470		47R	MF, 1%, 0207
0	R 6	57.11.3222		2k2	MF, 1%, 0207
0	R 7	57.11.3470		47R	MF, 1%, 0207
0	R 8	57.11.3102		1k0	MF, 1%, 0207
0	R 9	57.11.3332		3k3	MF, 1%, 0207
0	RZ 1	57.88.4103		8*10k	2%, SIP 9
0	T 1	1.022.647.00		1:1.4	OUTPUT TRAF0 AES/EBU
0	T 2	1.022.647.00		1:1.4	OUTPUT TRAF0 AES/EBU
0	T 3	1.022.647.00		1:1.4	OUTPUT TRAF0 AES/EBU
0	T 4	1.022.647.00		1:1.4	OUTPUT TRAF0 AES/EBU
0	TP 1	54.02.0320		1p	Flatpin, 2.8*0.8mm
0	XDL 1	50.20.2501		Spacer	LED-Sockel
0	XIC 2	53.03.0168		16p	DIL 0.3", lot, gerade
0	XIC 3	53.03.0168		16p	DIL 0.3", lot, gerade
0	XIC 4	53.03.2244		PLCC44p	PLCC-Socket 44p
0	XIC 5	53.03.2284		PLCC84p	PLCC-Socket 84p
End of List					
Comments:					
IC-Sockel XIC nn entsprechend den IC Nummern bestücken.					
LED-Sockel XDL nn entsprechend den DL Nummern bestücken.					

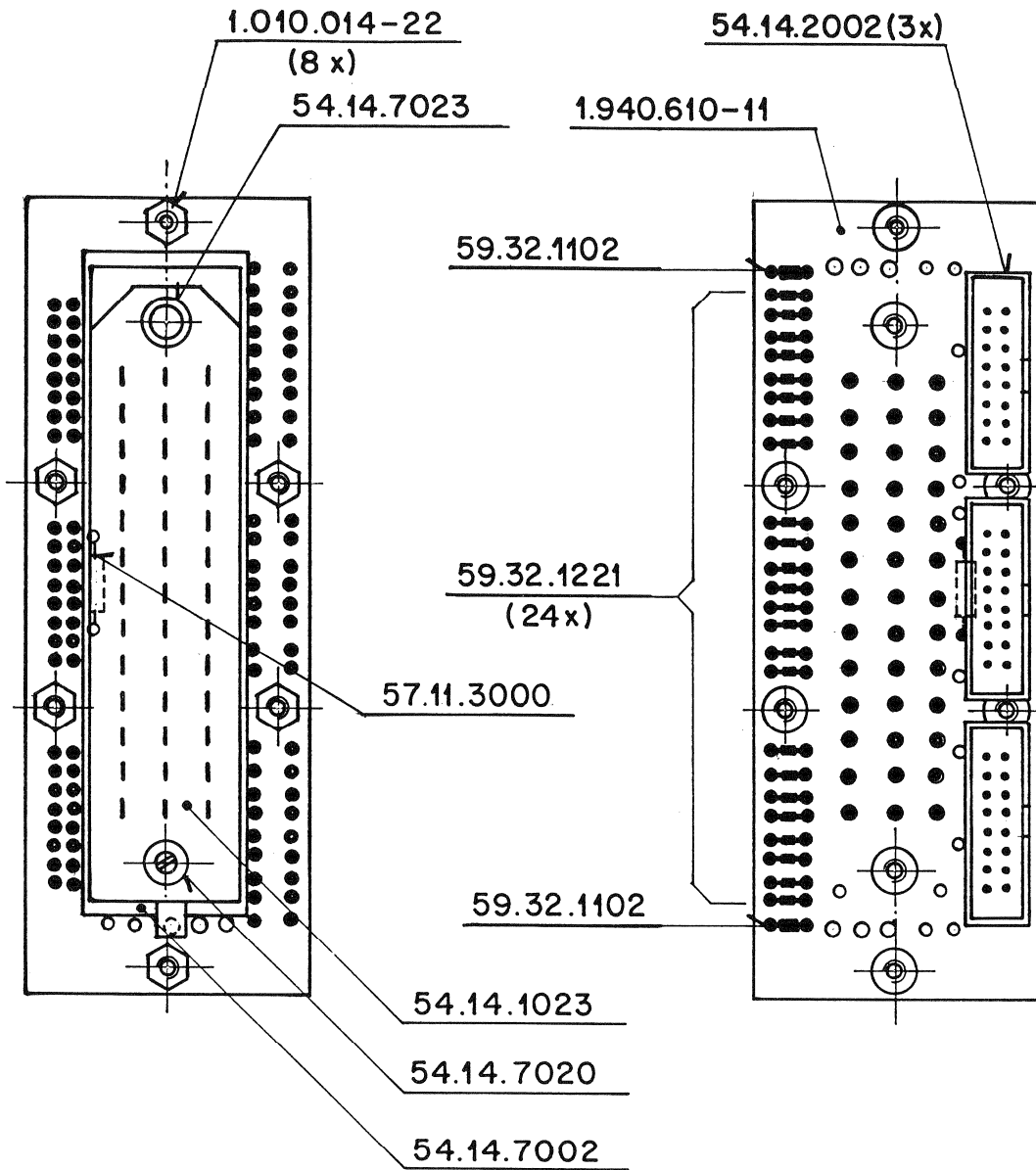
SCHEMATA / CIRCUIT DIAGRAMS

Connection Board S-39M C4AD/C4DA-Card	1.940.610.00
Connection Board BNC AESI-Card	1.940.611.00
Connection Board BNC AESO-Card	1.940.612.00
Connection Board S-30F-C4AD	1.940.613.00
Connection Board S-30M-C4AD	1.940.614.00
Connection Board D-15F AESI-Card	1.940.615.00
Connection Board D-15F C4AD-Card	1.940.615.00
Connection Board D-15M AESO-Card	1.940.616.00
Connection Board D-15M C4DA-Card	1.940.616.00
XLR Connection AES/EBU Input	1.940.617.81
XLR Connection AES/EBU Output	1.940.618.81
D25 + D25 Connection Unit	1.940.619.00
XLR Connection Analog Input	1.940.627.81
XLR Connection Analog Output	1.940.628.81
Connection Board 2xD-15F 8xAESI-Card	1.940.635.00
Connection Board 2xD-15M 8xAESO-Card	1.940.636.00
XLR Connection 4xAES/EBU Input	1.940.637.81
XLR Connection 4xAES/EBU Output	1.940.638.81

Connection Board S-39M C4AD / C4DA-Card I.940.610.00



Connection Board S-39M C4AD / C4DA-Card 1.940.610.00

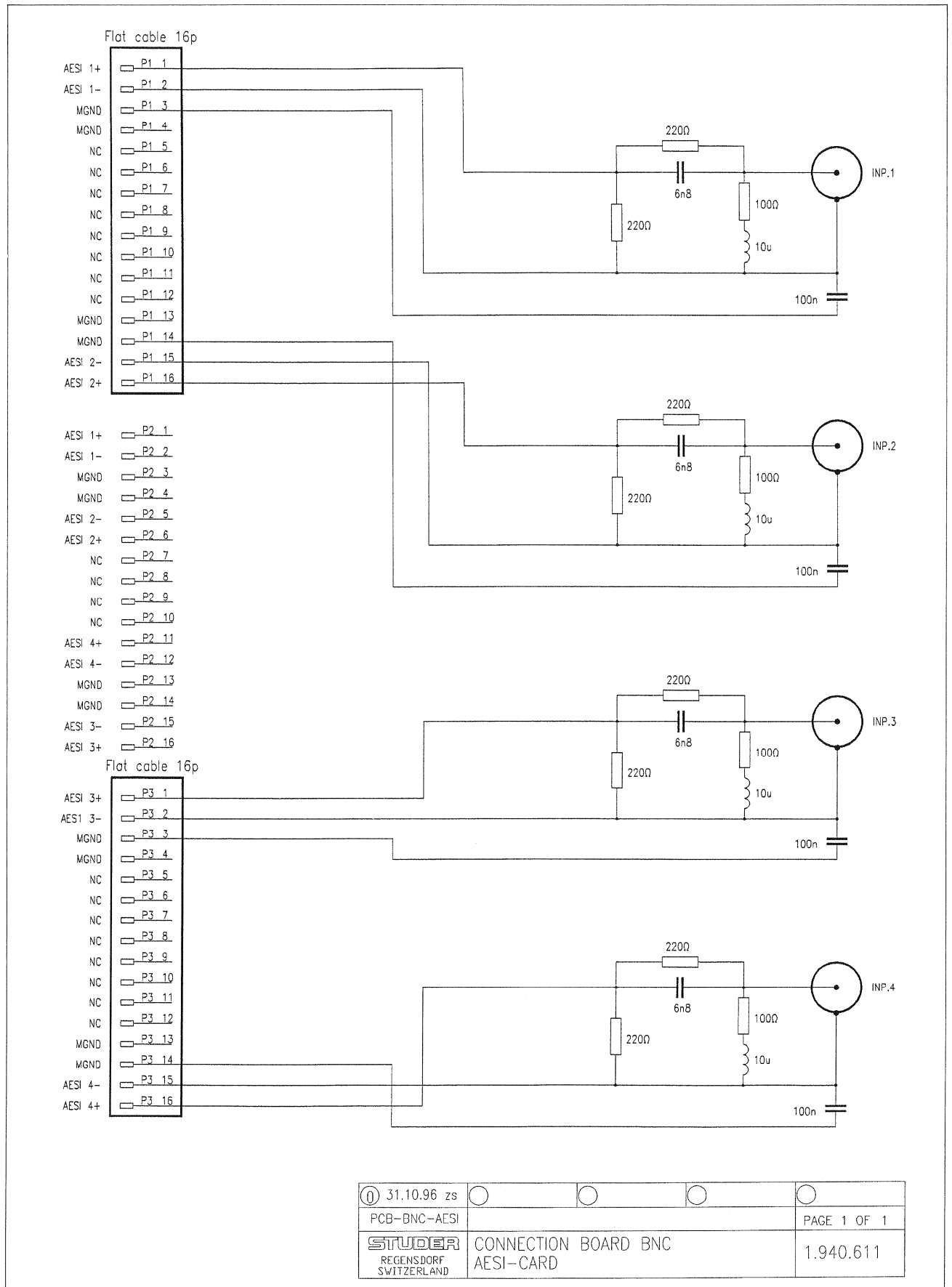


Änderung					④
					②
					①
Ausgabe	19.2.97	2	14		①
Datum	Gez.	Gepr.	Ges.	Index	

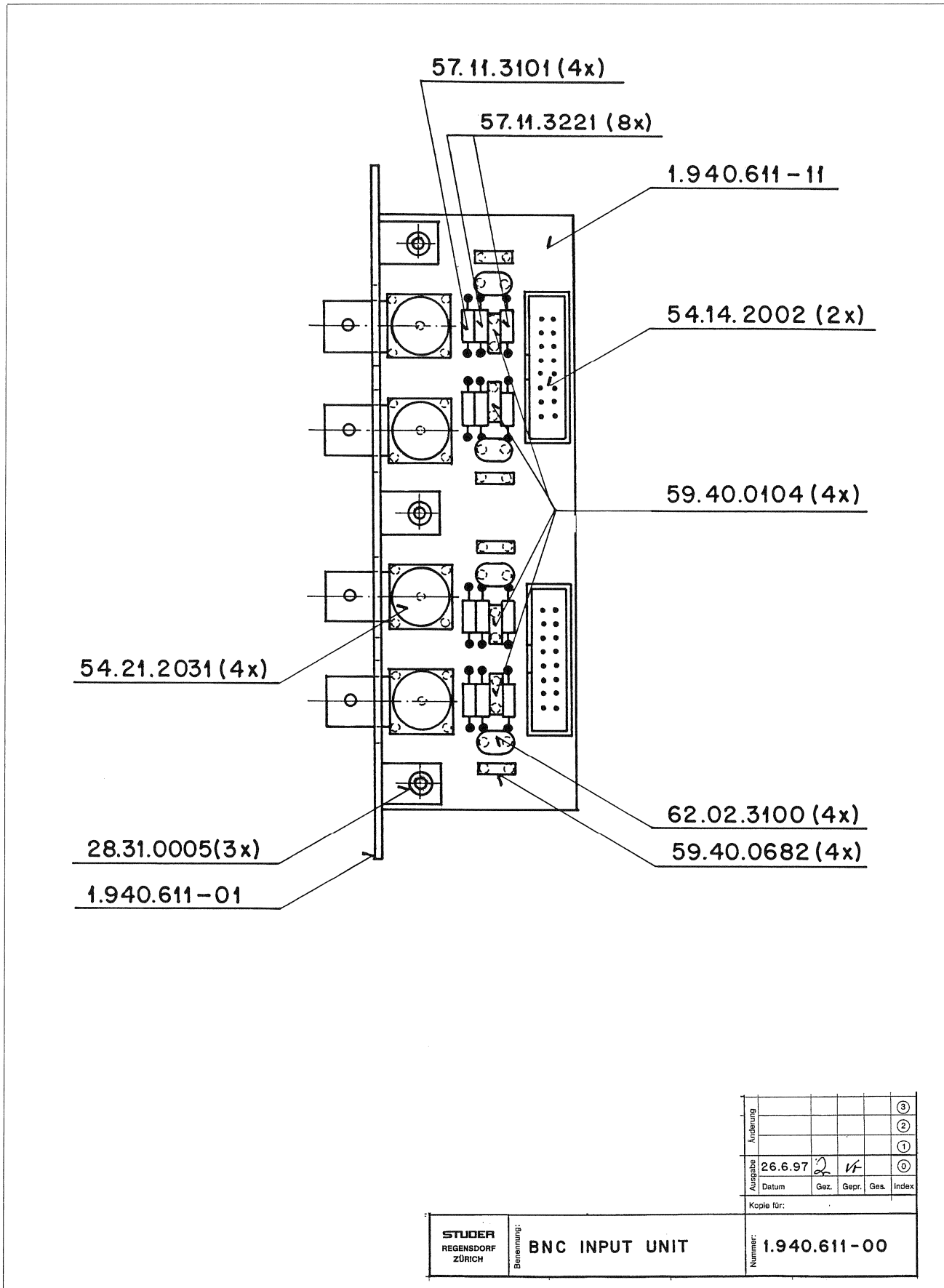
Kopie für:

STUDER REGENSDORF ZÜRICH	Benennung: S 39 M CONNECTION UNIT	Nummer:	1.940.610 - 00

Connection Board BNC AESI-Card 1.940.611.00



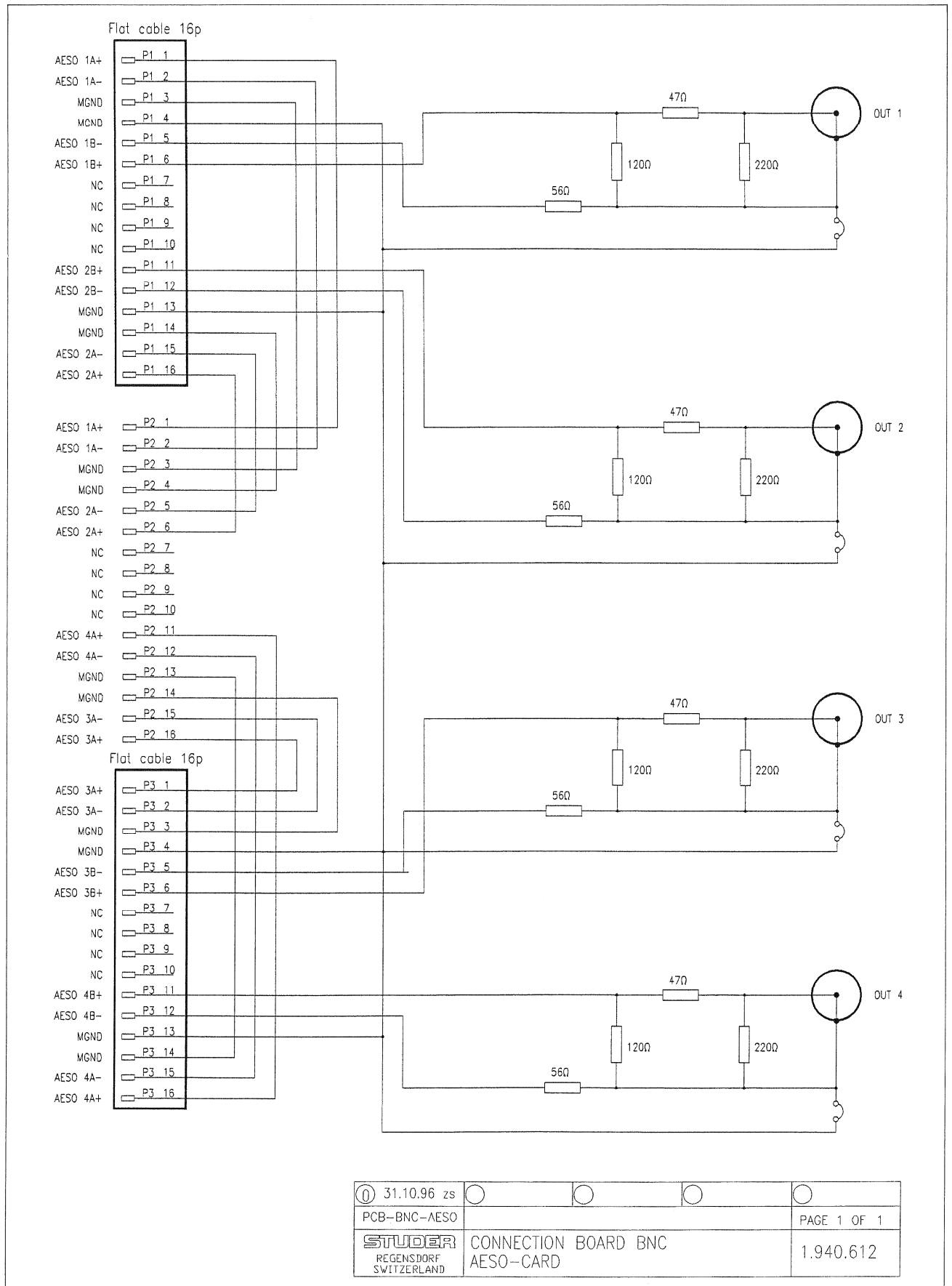
Connection Board BNC AESI-Card 1.940.611.00



Ausgabe					③
Anderung					②
					①
Datum	26.6.97	Gez.	Gepr.	Ges.	Index

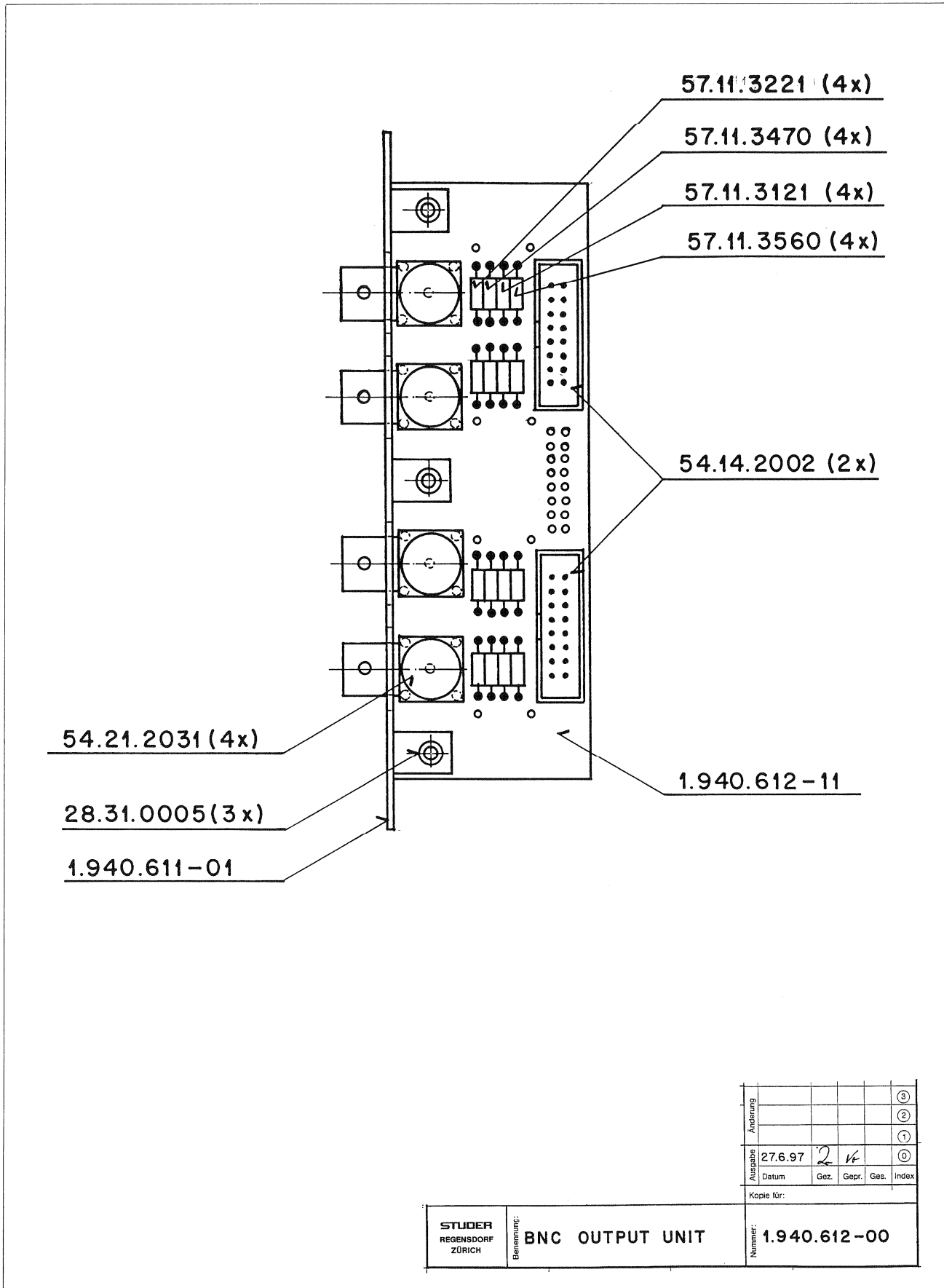
STUDER REGENSDORF ZÜRICH	Benennung: BNC INPUT UNIT	Nummer: 1.940.611-00
		Kopie für:

Connection Board BNC AESO-Card 1.940.612.00



31.10.96 zs				
PCB-BNC-AESO				PAGE 1 OF 1
STUDER REGENSDORF SWITZERLAND	CONNECTION BOARD BNC AESO-CARD			1.940.612

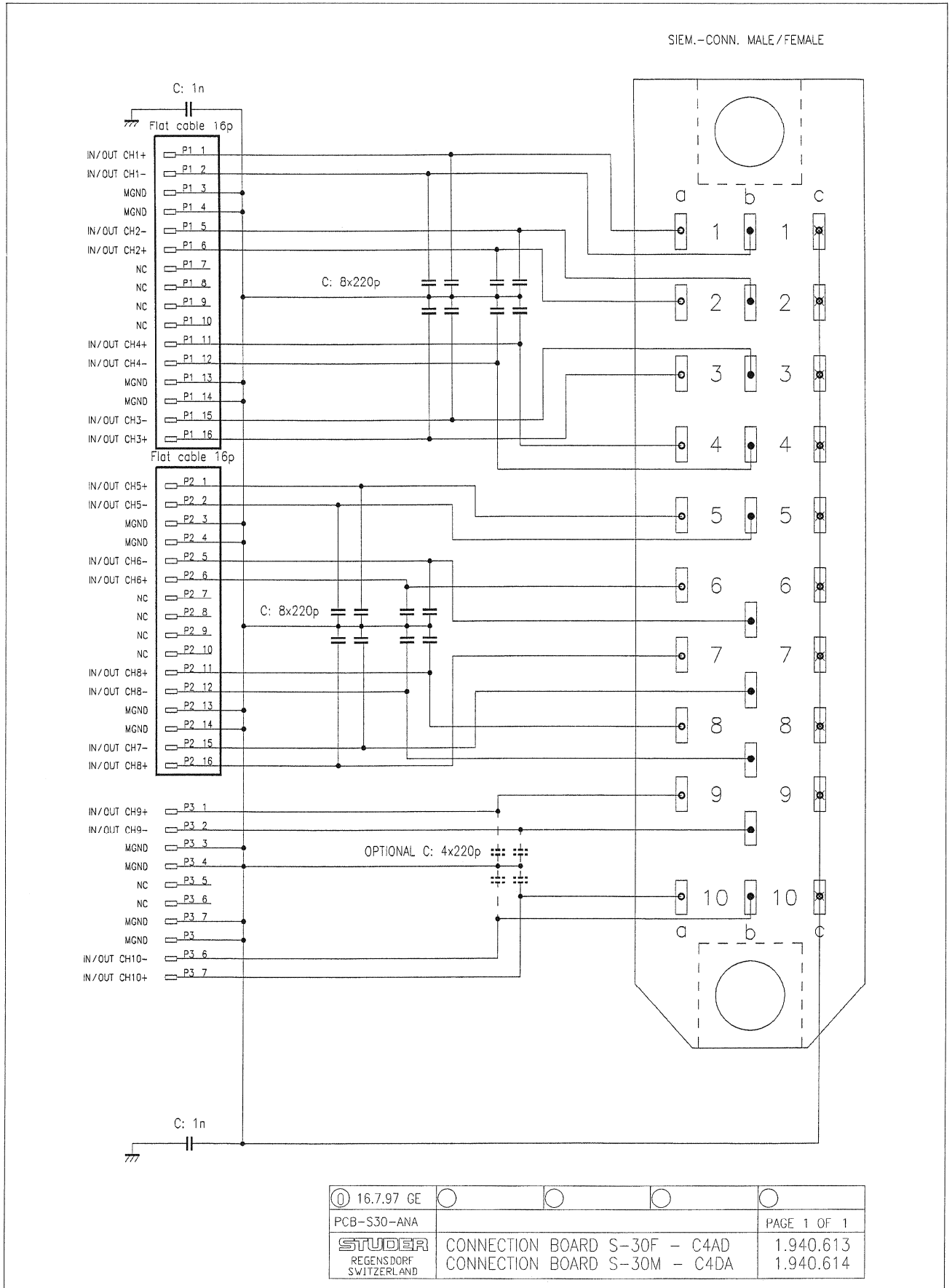
Connection Board BNC AESO-Card 1.940.612.00



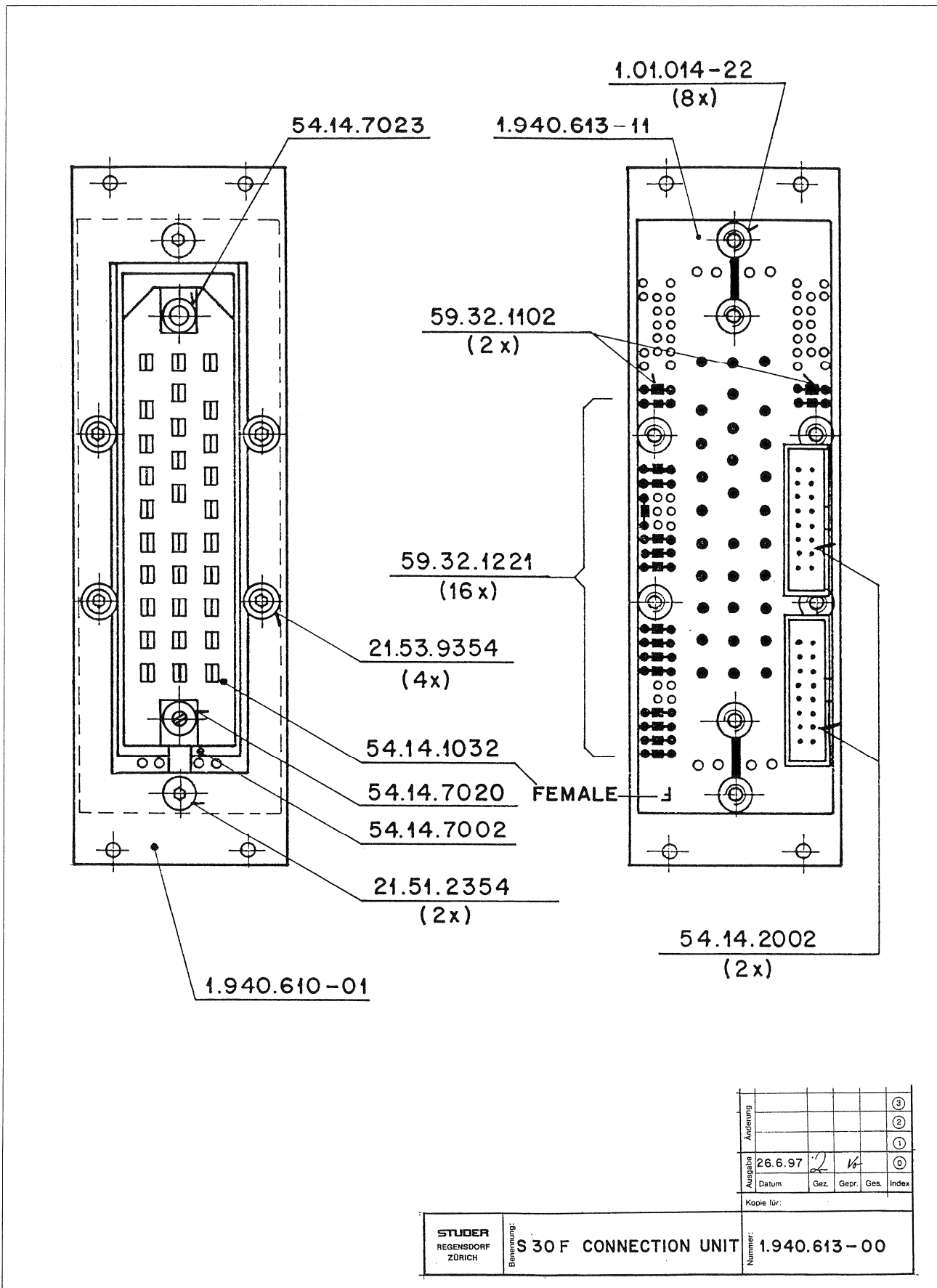
Ausgabe	Änderung				③
					②
					①
					④
Datum	27.6.97	Gez.	2	Gepr.	11
Kopie für:					

STUDER REGENSDORF ZÜRICH	Benennung:	BNC OUTPUT UNIT	Nummer:	1.940.612-00

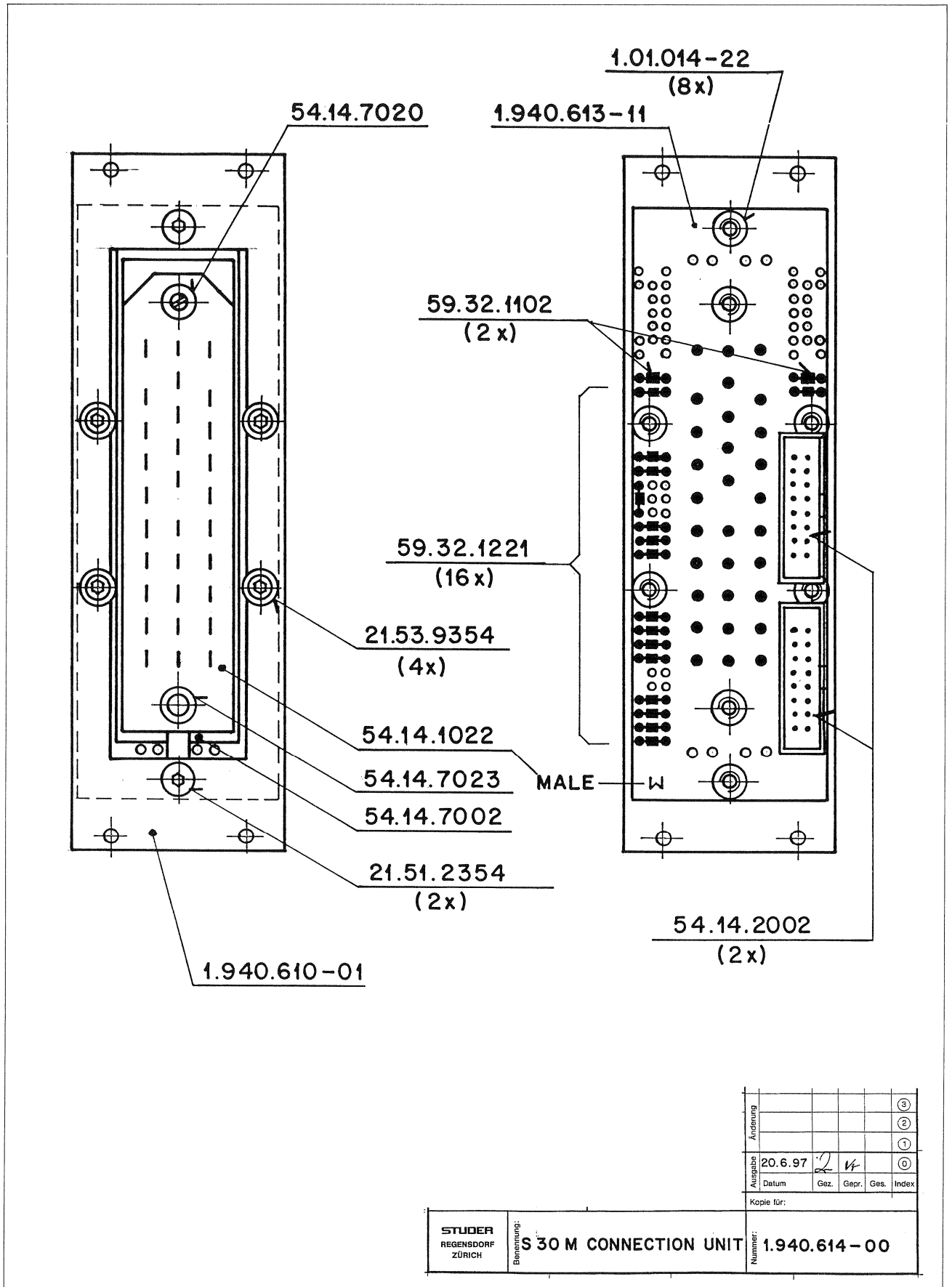
Connection Board S-30F - C4AD 1.940.613.00
Connection Board S-30M - C4AD 1.940.614.00



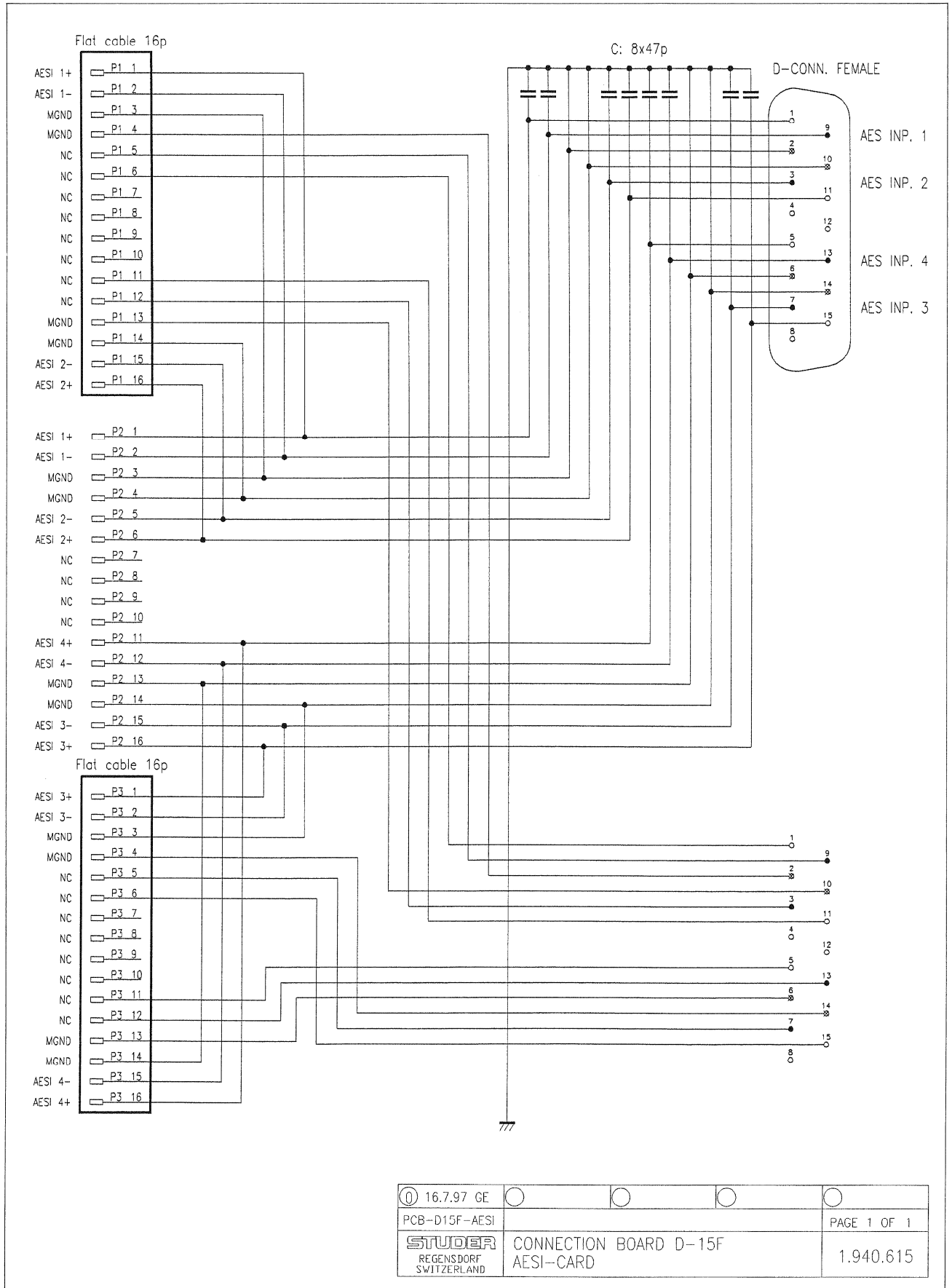
Connection Board S-30F - C4AD 1.940.613.00



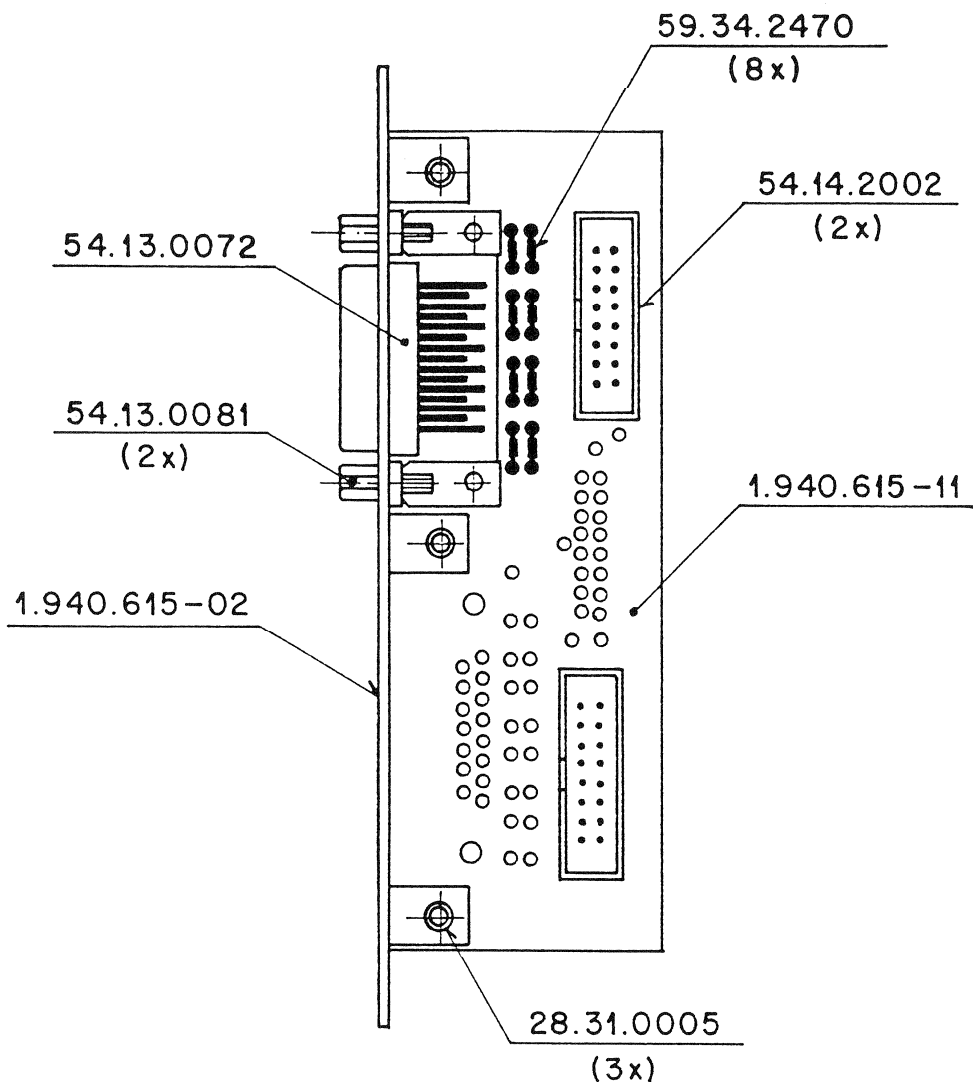
Connection Board S-30M - C4AD 1.940.614.00



Connection Board D-15F AESI-Card 1.940.615.00



Connection Board D-15F AESI-Card 1.940.615.00

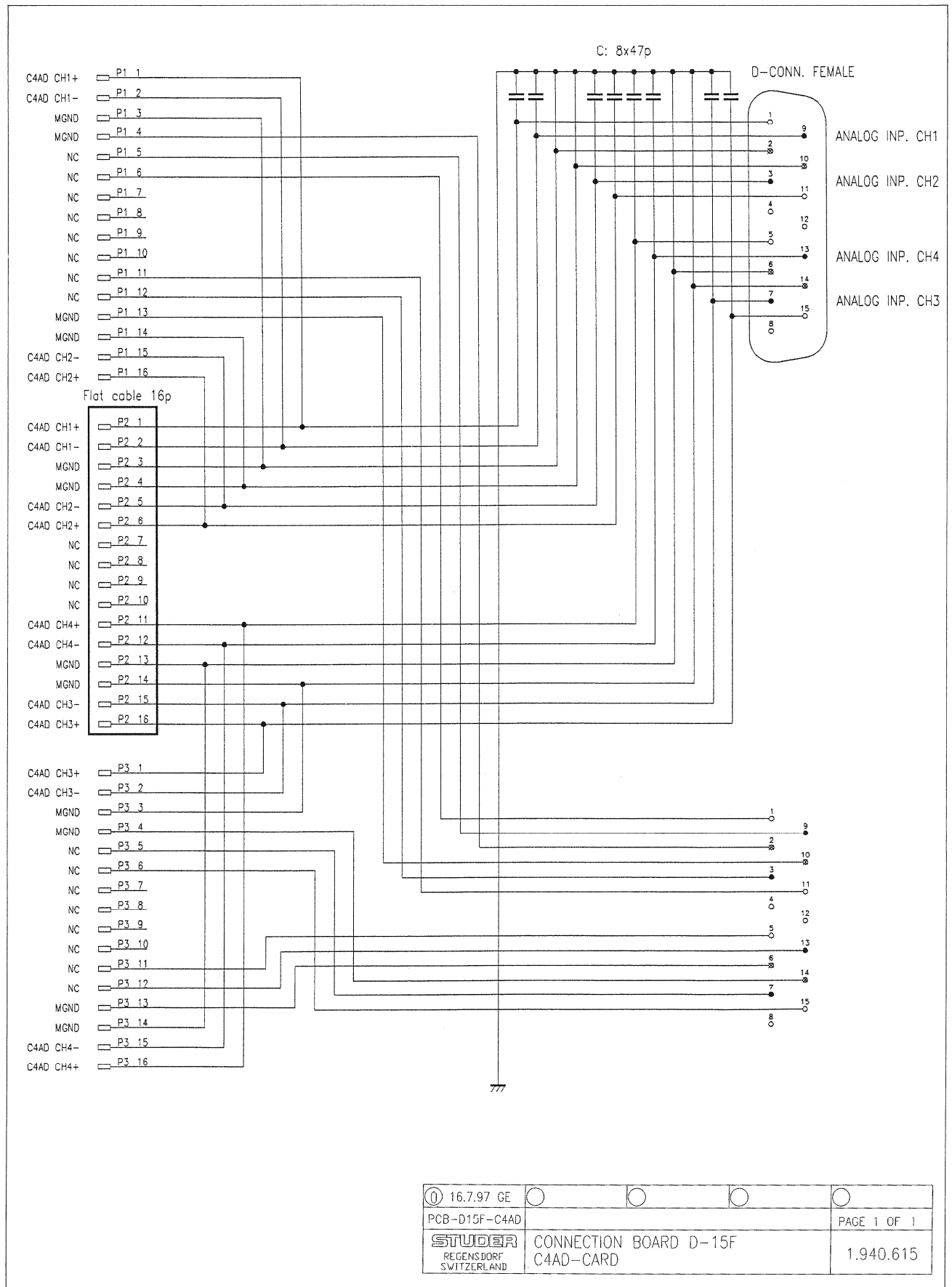


Ausgabe	Änderung				③
					②
					①
	Datum	20.2.97	2	14	
	Gez.		Gepr.	Ges.	Index

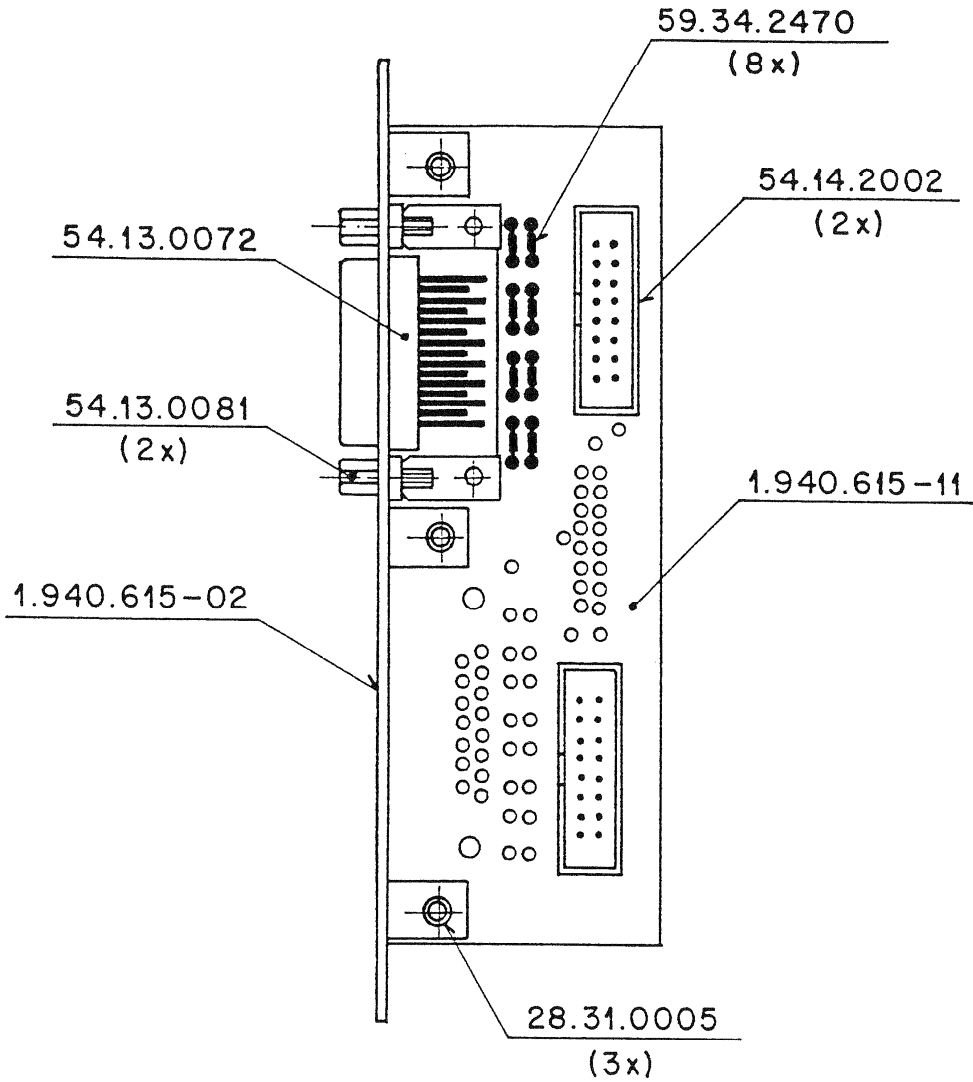
Kopie für:

STUDER REGENSDORF ZÜRICH	Benennung: D 15 F CONNECTION UNIT	Nummer: 1.940.615-00
--------------------------------	--------------------------------------	-------------------------

Connection Board D-15F C4AD-Card 1.940.615.00



Connection Board D-15F C4AD-Card 1.940.615.00

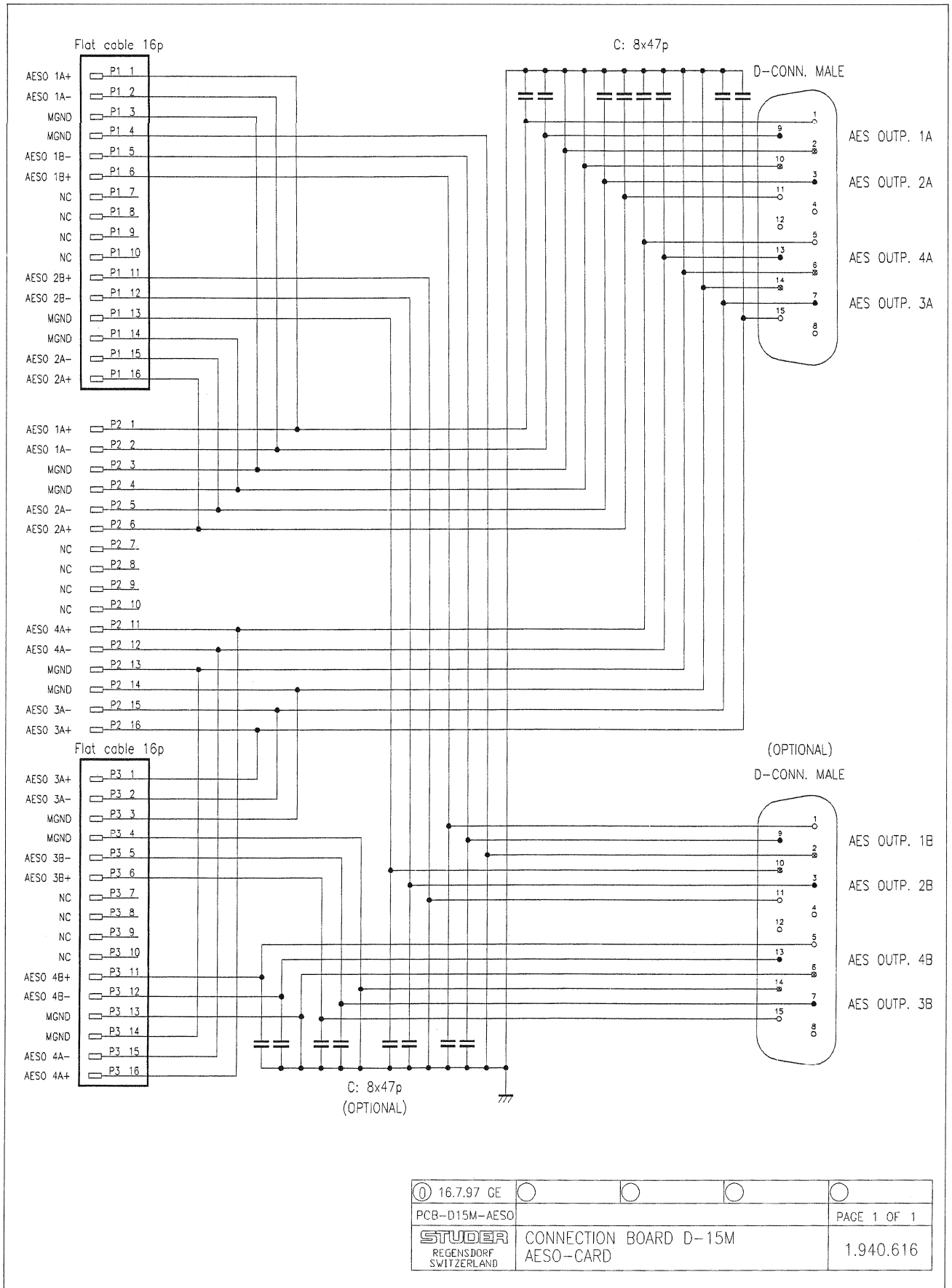


Ausgabe					③
Änderung					②
					①
Datum	20.2.97	2	K		①
Gez.					①
Gepr.					①
Ges.					①
Index					①

Kopie für:

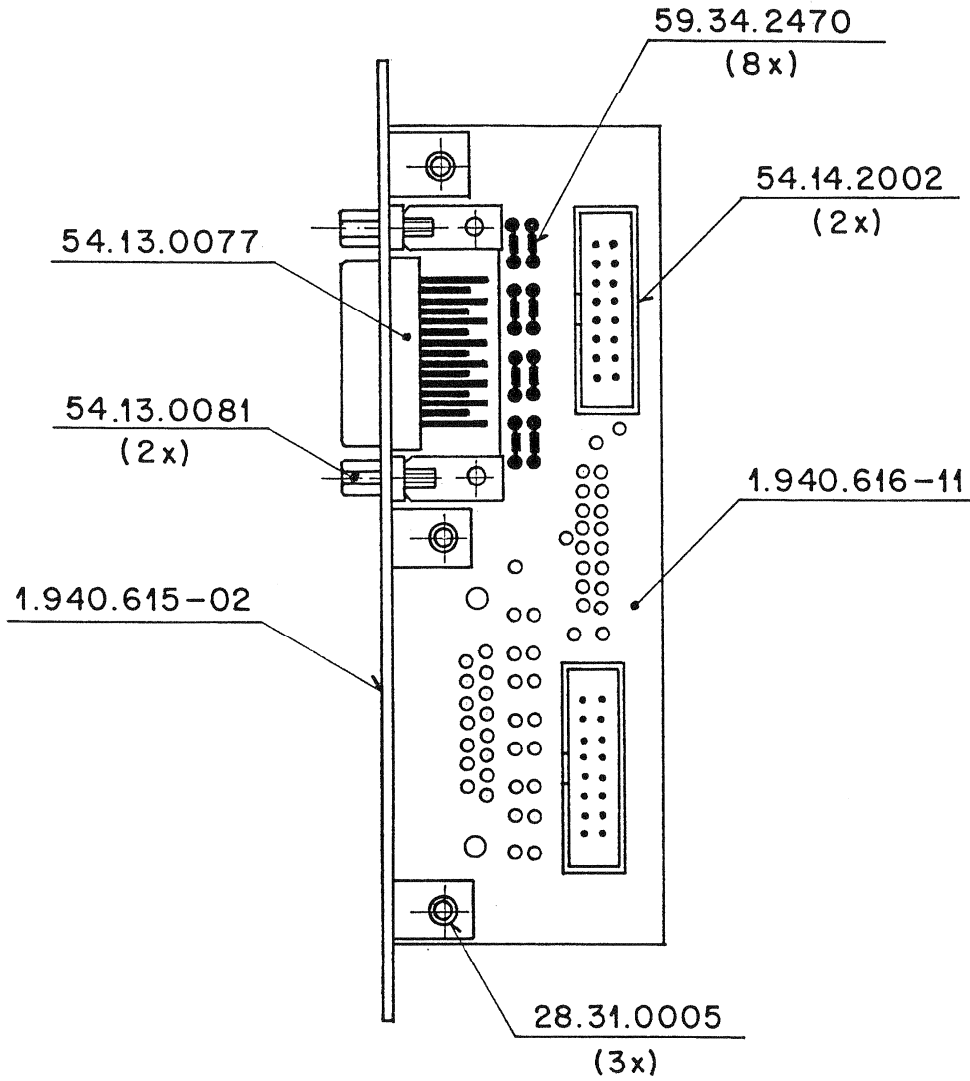
STUDER REGENSDORF ZÜRICH	Benennung:	D 15 F CONNECTION UNIT	Nummer:	1.940.615-00

Connection Board D-15M AESO-Card 1.940.616.00



① 16.7.97 GE	○	○	○	○
PCB-D15M-AESO				PAGE 1 OF 1
STUDER REGENSDORF SWITZERLAND	CONNECTION BOARD D-15M AESO-CARD			1.940.616

Connection Board D-15M AESO-Card 1.940.616.00

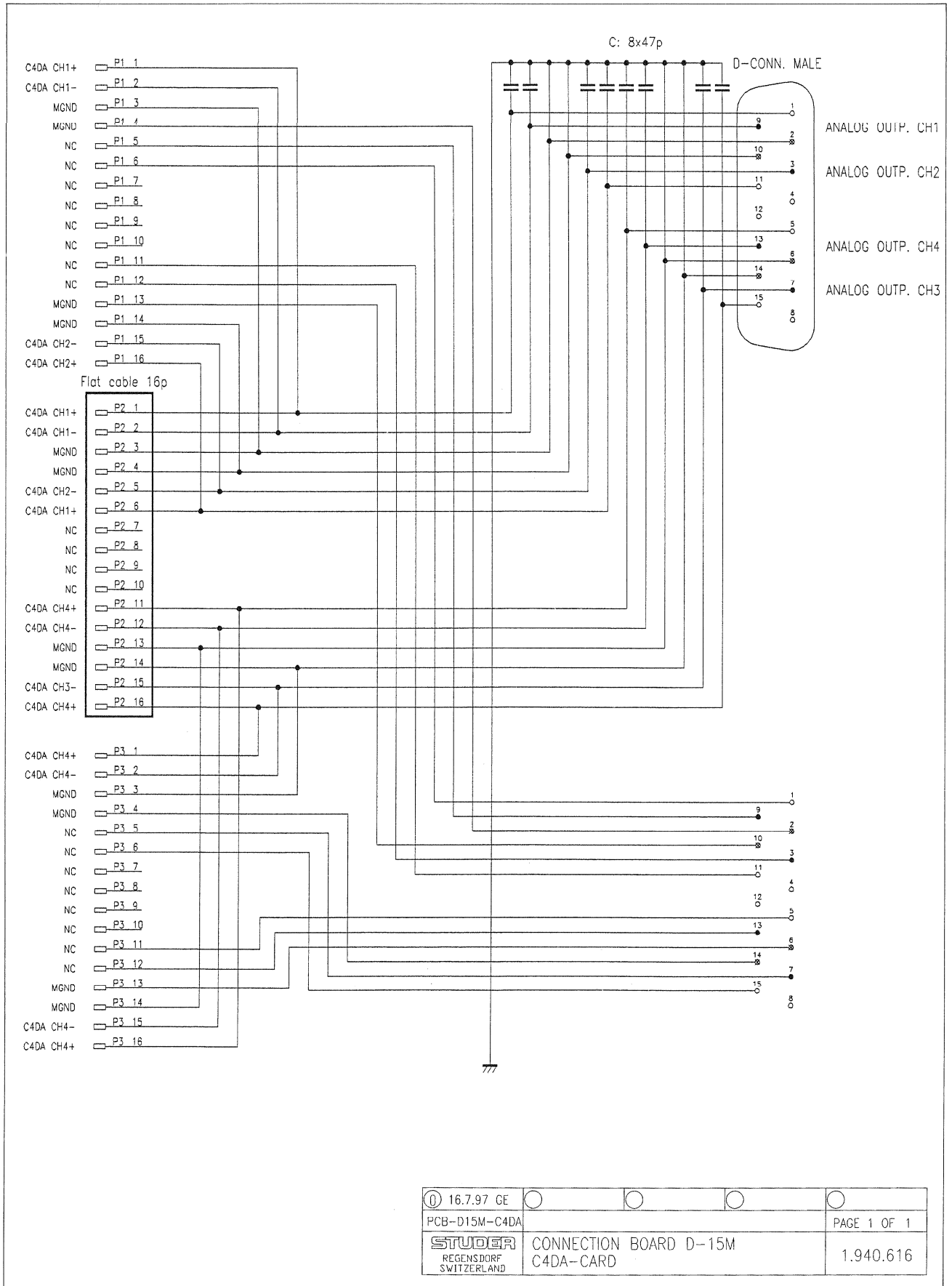


Ausgabe					③
Ande					②
					①
Datum	20.2.97	2	H		①
Gez.					
Gepr.					
Index					

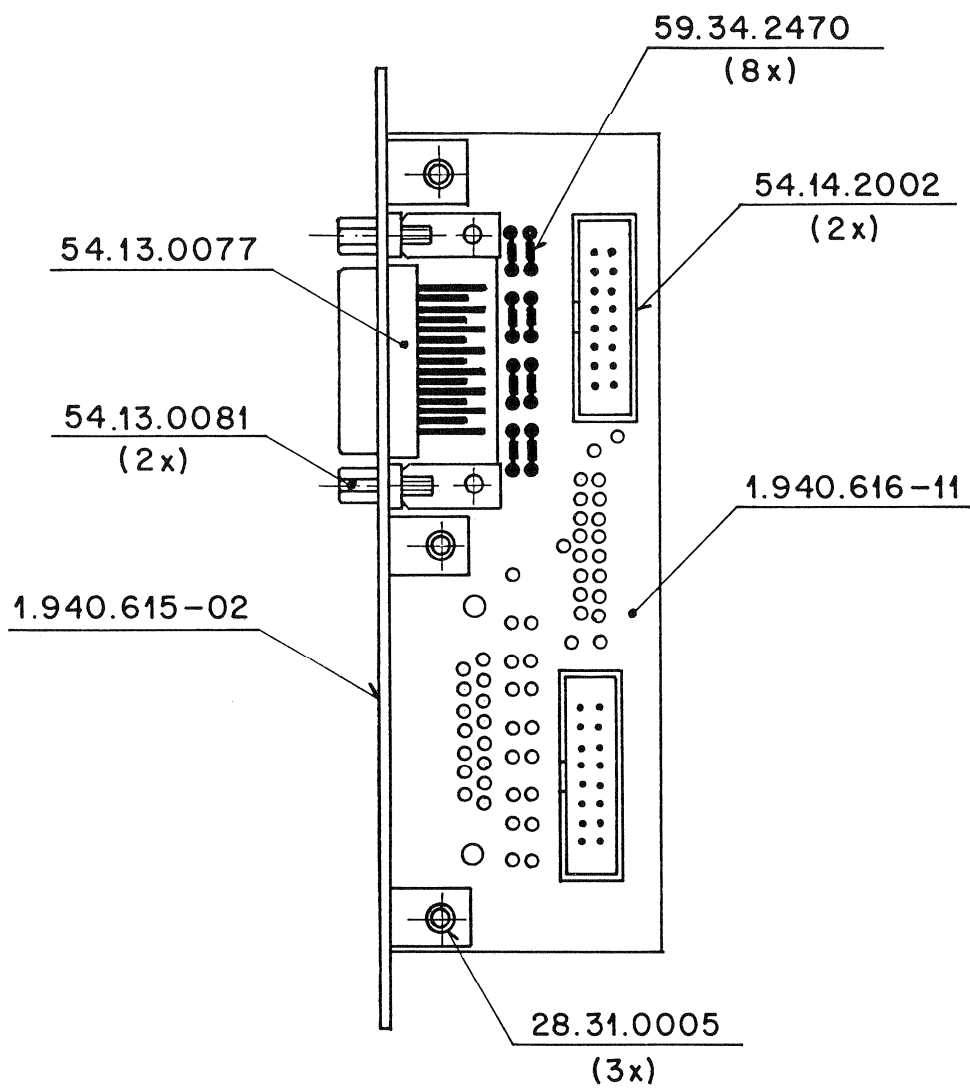
Kopie für:

STUDER REGENSDORF ZÜRICH	Benennung: D 15 M CONNECTION UNIT	Nummer:	1.940.616-00
		Kopie für:	

Connection Board D-15M C4DA-Card 1.940.616.00



Connection Board D-15M C4DA-Card 1.940.616.00



Änderung					③
					②
					①
Ausgabe	20.2.97	2	11		④
Datum	Gez.	Gepr.	Ges.	Index	

Kopie für:

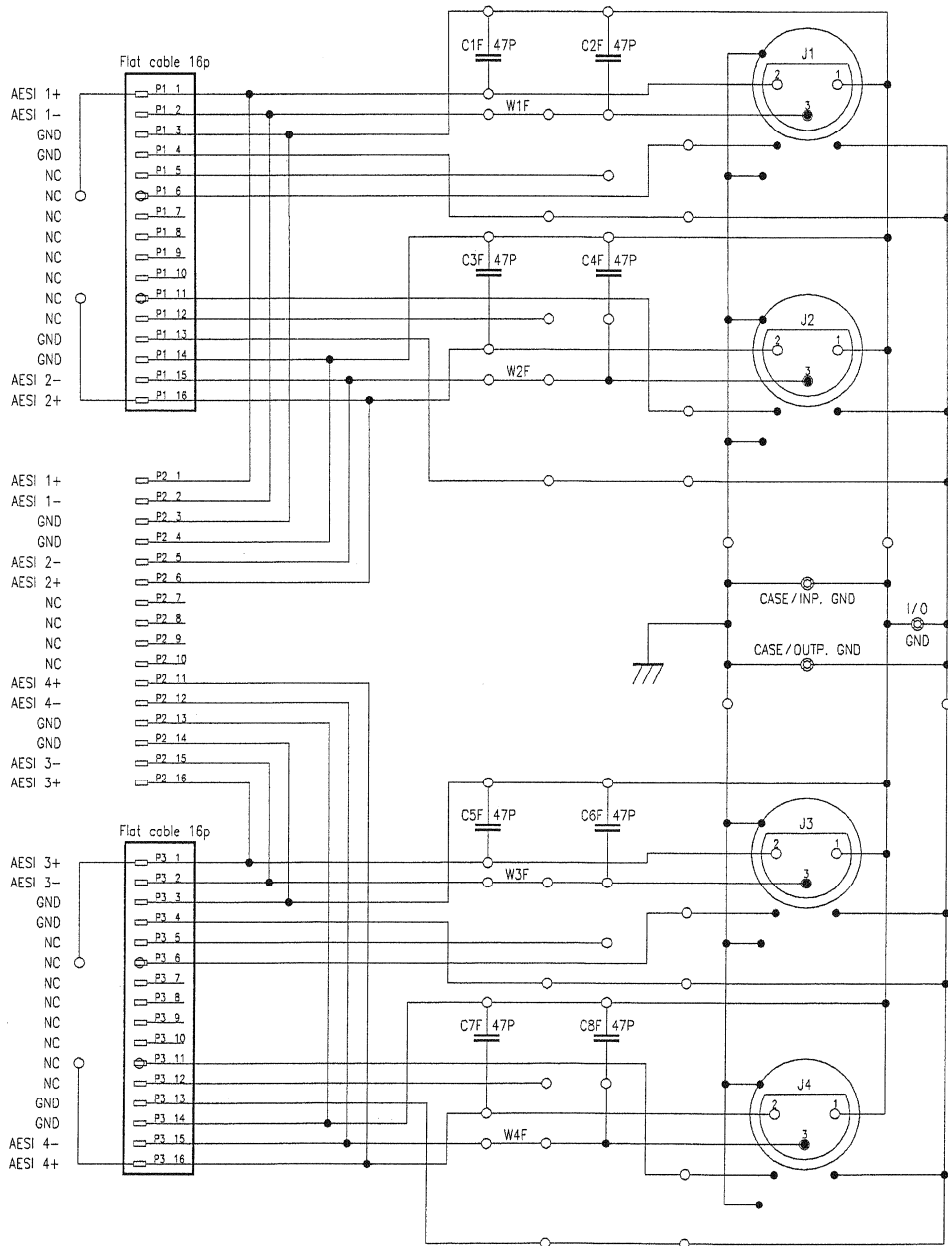
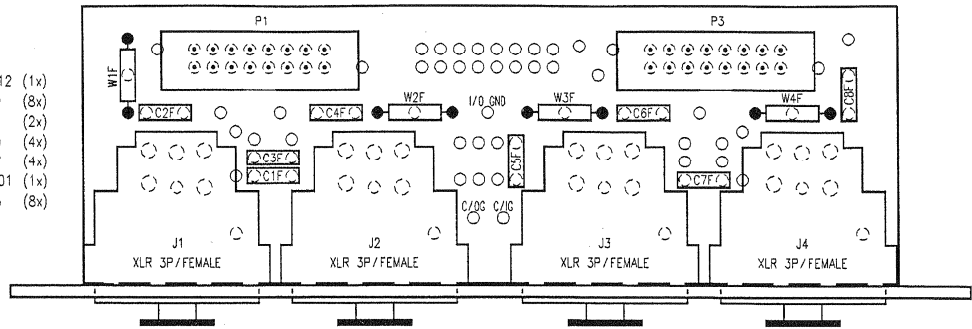
Nummer: 1.940.616-00

STUDER
REGENSDORF
ZÜRICH

Benennung: D 15 M CONNECTION UNIT

XLR Connection AES / EBU Input 1.940.617.81

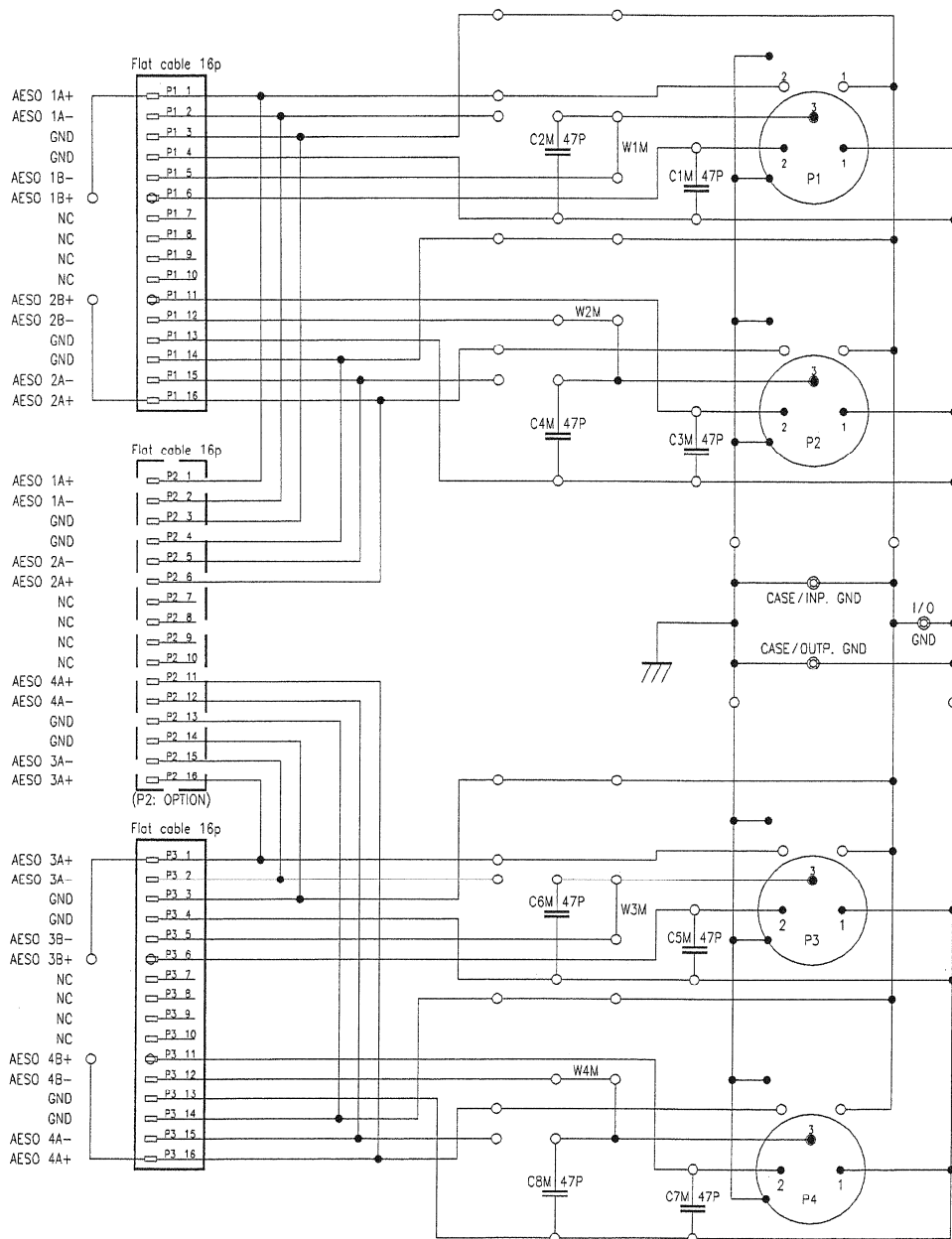
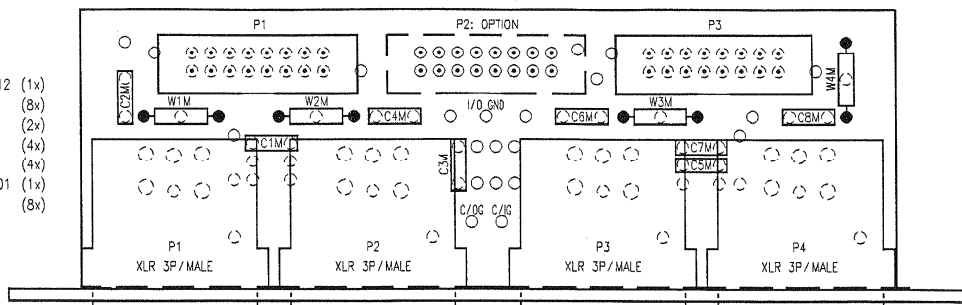
- PCB: 1.940.617.12 (1x)
- C 47pF: 59.34.2470 (8x)
- Px: 54.14.2002 (2x)
- Wxx: 57.11.3000 (4x)
- XLR 3P/F: 54.21.2207 (4x)
- FRONT: 1.940.617.01 (1x)
- SCREWS: 20.24.7623 (8x)



© 05.01.98 / RK			
SC1940617-81			PAGE 1 OF 1
STUDER REGENSDORF SWITZERLAND	XLR CONNECTION AES/EBU INPUT		1.940.617.81

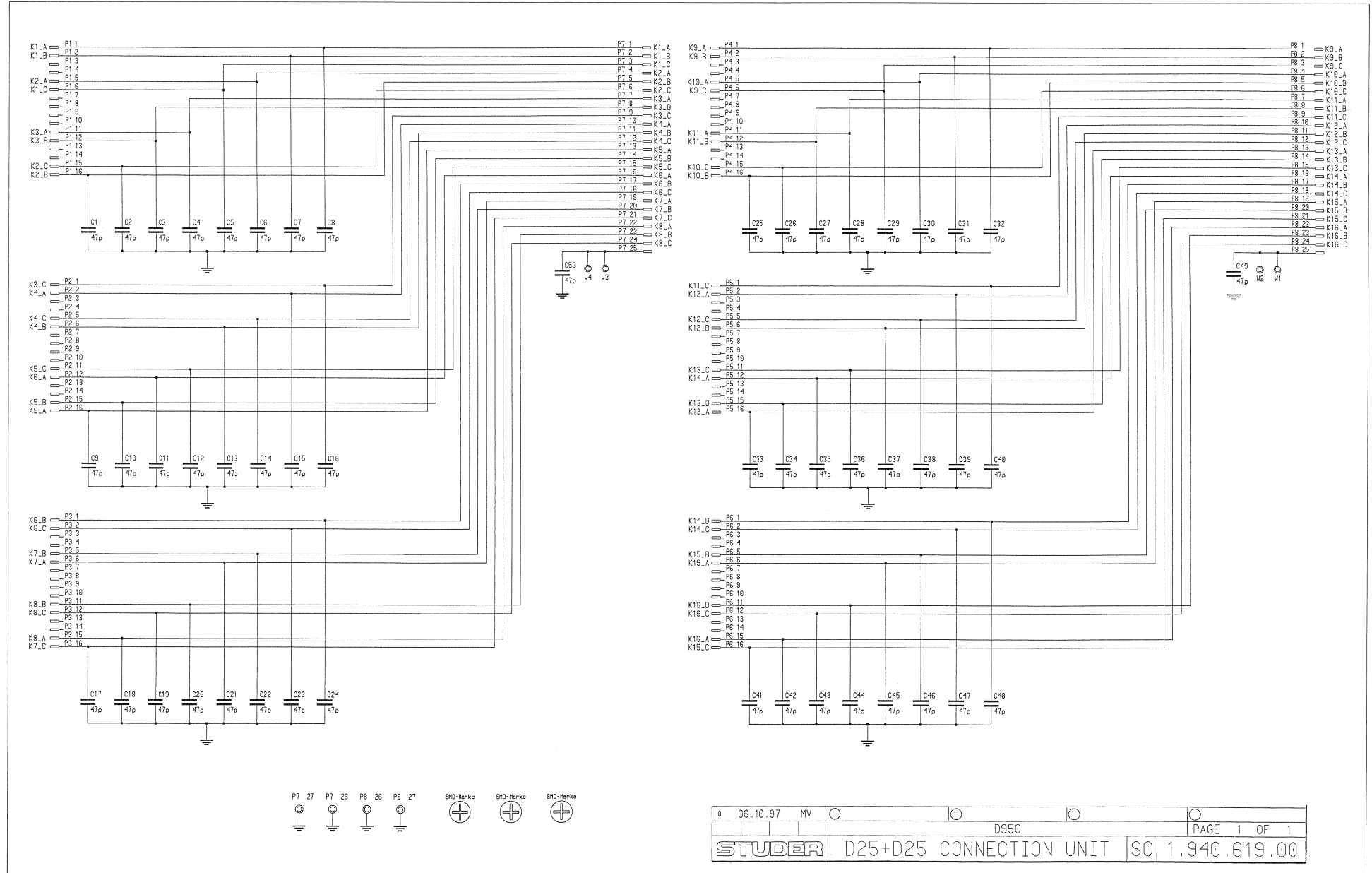
XLR Connection AES / EBU Output 1.940.618.81

- PCB: 1.940.617.12 (1x)
- C 47pF: 59.34.2470 (8x)
- Px: 54.14.2002 (2x)
- Wxx: 57.11.3000 (4x)
- XLR 3P/M: 54.21.2202 (4x)
- FRONT 1.940.617.01 (1x)
- SCREWS: 20.24.7623 (8x)



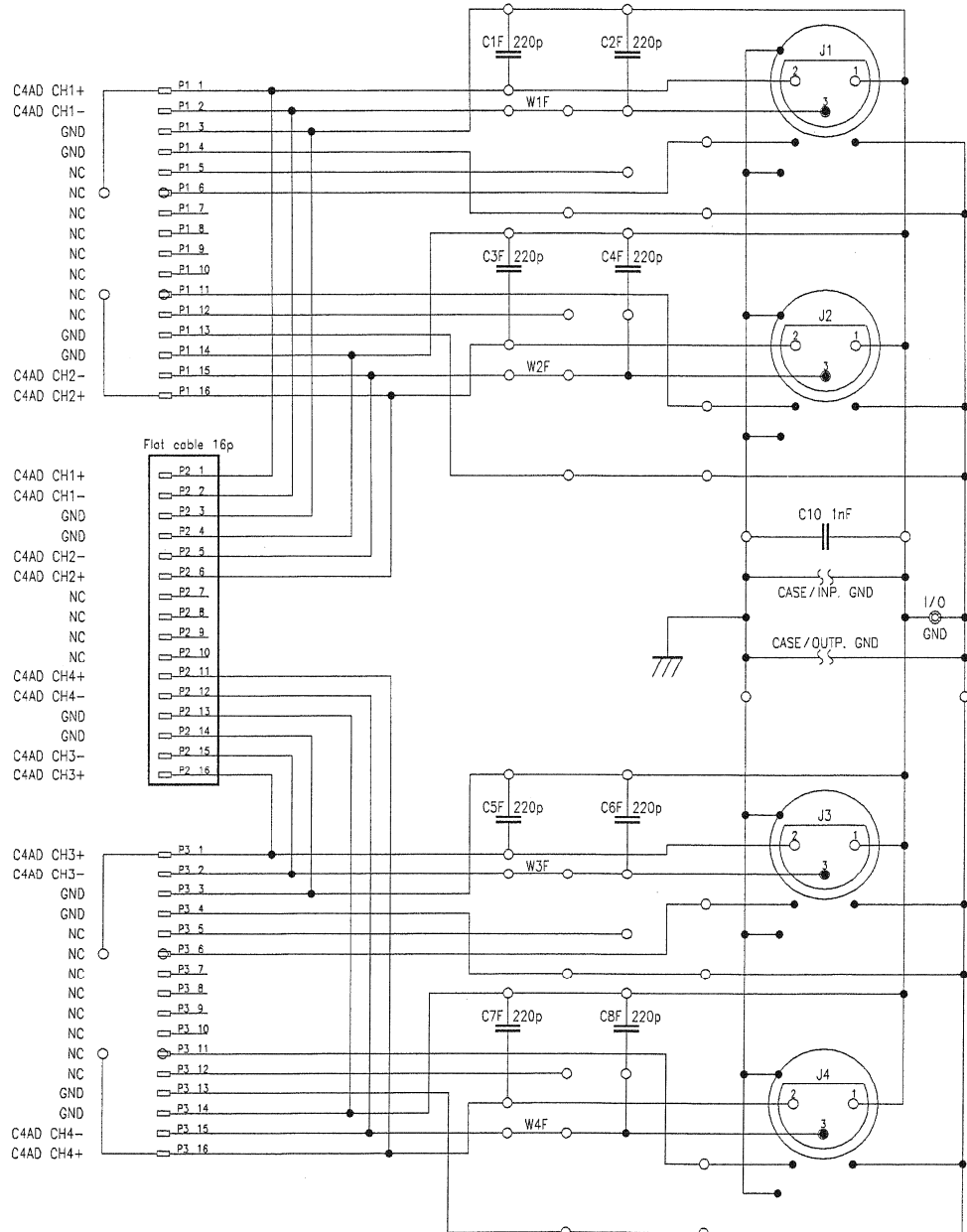
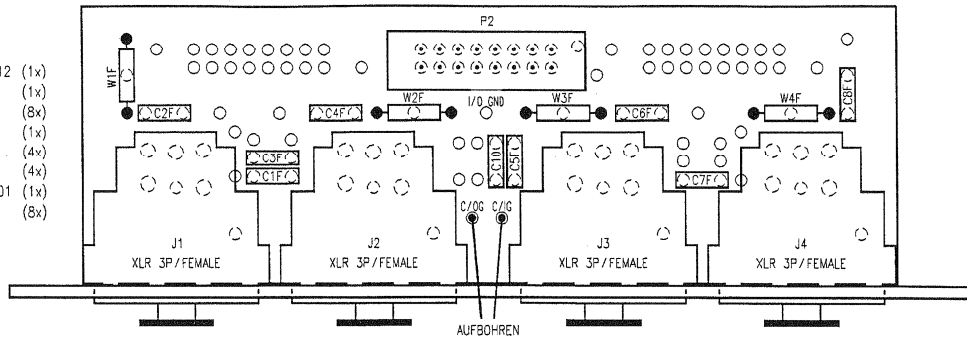
05.01.98 / BK		
SC1940618-81		PAGE 1 OF 1
STUDER REGENSDORF SWITZERLAND	XLR CONNECTION AES/EBU OUTPUT	1.940.618.81

D25+D25 Connection Unit 1.940.619.00



XLR Connection Analog Input 1.940.627.81

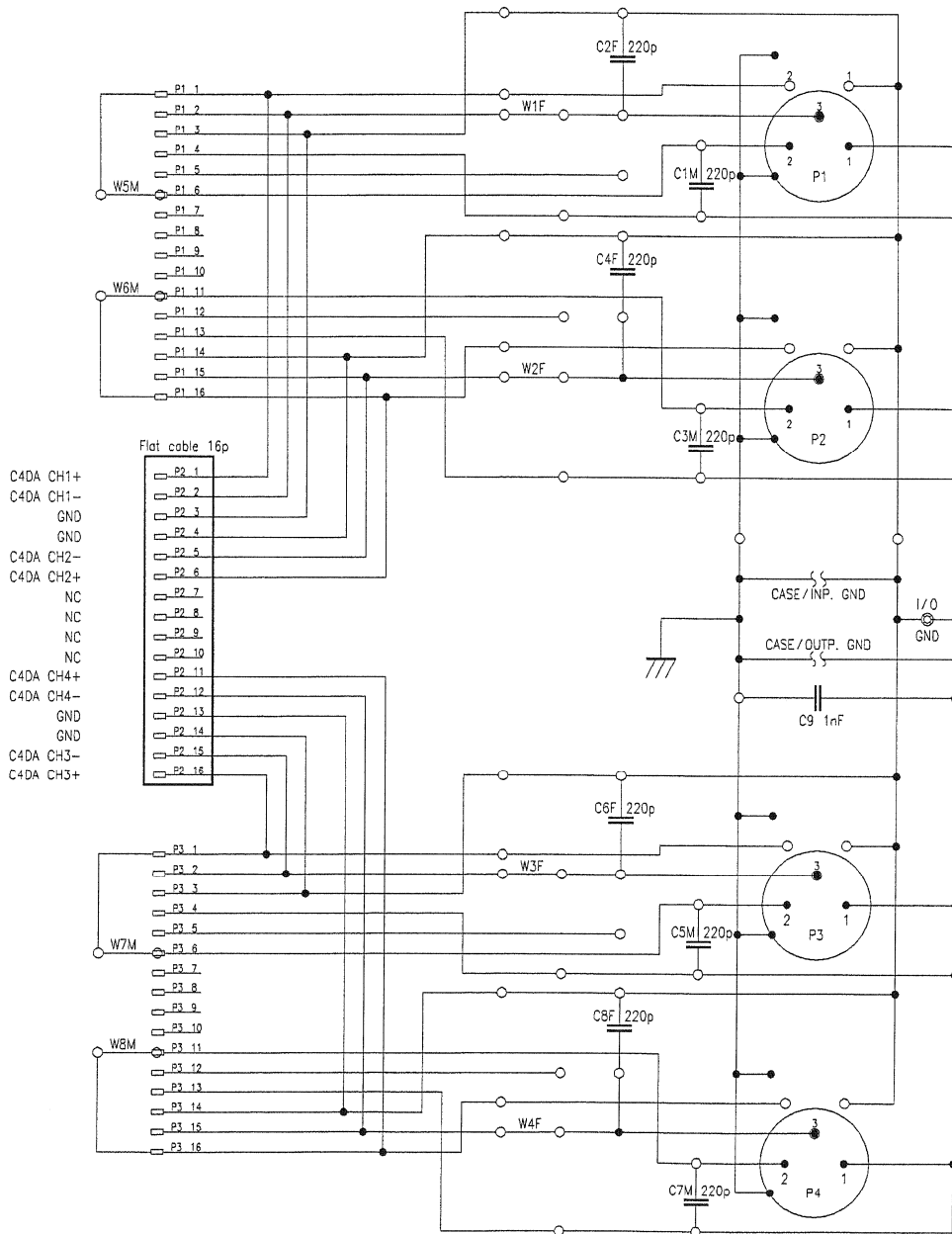
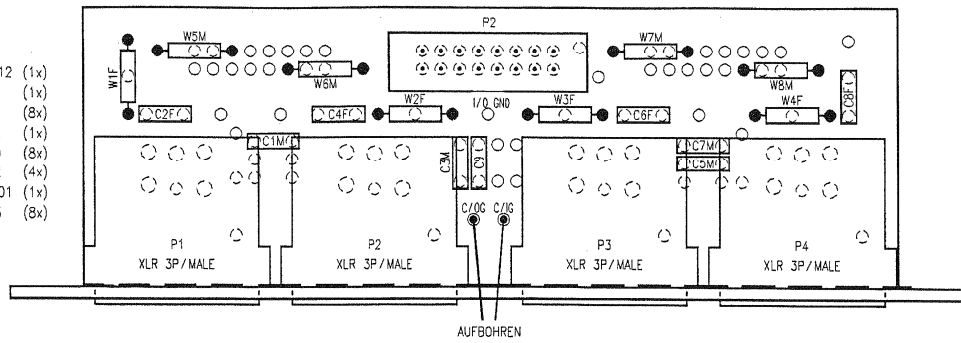
- PCB: 1.940.617.12 (1x)
- C 1nF: 59.32.1102 (1x)
- C 220pF: 59.32.1221 (8x)
- Px: 54.14.2002 (1x)
- Wxx: 57.11.3000 (4x)
- XLR 3P/F: 54.21.2207 (4x)
- FRONT 1.940.617.01 (1x)
- SCREWS: 20.24.7623 (8x)



05.01.98 / BK			
SC1940627-81			PAGE 1 OF 1
STUDER REGENSDORF SWITZERLAND	XLR CONNECTION ANALOG INPUT		1.940.627.81

XLR Connection Analog Output 1.940.628.81

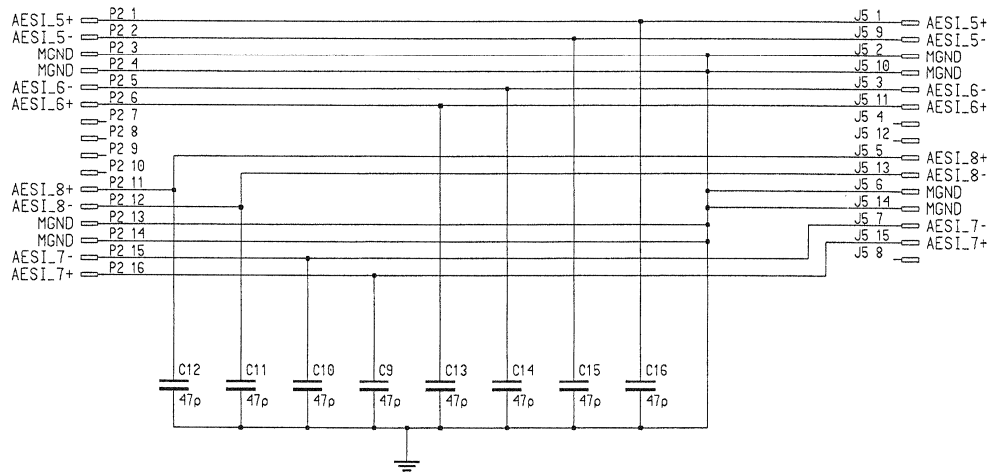
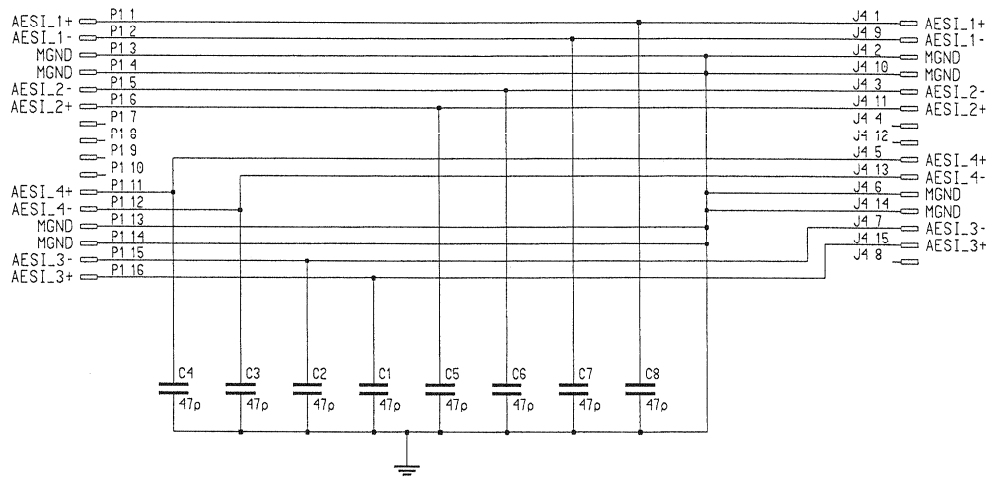
- PCB: 1.940.617.12 (1x)
- C 1nF: 59.32.1102 (1x)
- C 220pF: 59.32.1221 (8x)
- Px: 54.14.2002 (1x)
- Wxx: 57.11.3000 (8x)
- XLR 3P/M: 54.21.2202 (4x)
- FRONT: 1.940.617.01 (1x)
- SCREWS: 20.24.7623 (8x)



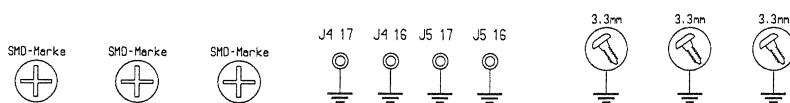
- C4DA CH1+
- C4DA CH1-
- GND
- C4DA CH2-
- C4DA CH2+
- NC
- NC
- NC
- NC
- C4DA CH4+
- C4DA CH4-
- GND
- GND
- C4DA CH3-
- C4DA CH3+

05.01.98/BK			
SC1940628-81			PAGE 1 OF 1
STUDER REGENSDORF SWITZERLAND	XLR CONNECTION ANALOG OUTPUT		1.940.628.81

Connection Board 2xD-15F 8x AESI-Card 1.940.635.00

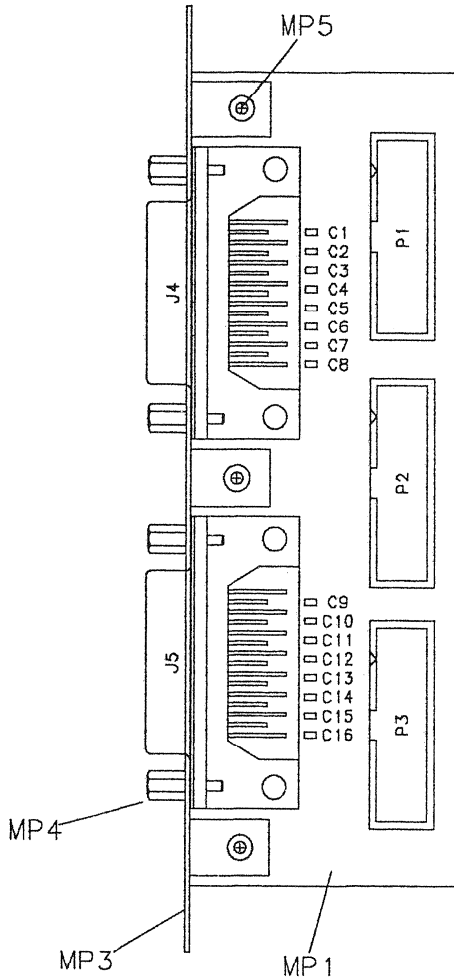


- P3 1
- P3 2
- P3 3
- P3 4
- P3 5
- P3 6
- P3 7
- P3 8
- P3 9
- P3 10
- P3 11
- P3 12
- P3 13
- P3 14
- P3 15
- P3 16



0	18.11.97	JM	○	○	○	○
D950						PAGE 1 OF 1
STUDER				CONNECTION BOARD 2X D-15F 8X AESI-CARD		SC 1.940.635.00

Connection Board 2xD-15F 8x AESI-Card I.940.635.00



Idx.	Pos.	Part No.	Qty.	Type/Val.	Description
0	C 1	59.60.2241	47p	CER 50V, 5%, C0G, 0603	
0	C 2	59.60.2241	47p	CER 50V, 5%, C0G, 0603	
0	C 3	59.60.2241	47p	CER 50V, 5%, C0G, 0603	
0	C 4	59.60.2241	47p	CER 50V, 5%, C0G, 0603	
0	C 5	59.60.2241	47p	CER 50V, 5%, C0G, 0603	
0	C 6	59.60.2241	47p	CER 50V, 5%, C0G, 0603	
0	C 7	59.60.2241	47p	CER 50V, 5%, C0G, 0603	
0	C 8	59.60.2241	47p	CER 50V, 5%, C0G, 0603	
0	C 9	59.60.2241	47p	CER 50V, 5%, C0G, 0603	
0	C 10	59.60.2241	47p	CER 50V, 5%, C0G, 0603	
0	C 11	59.60.2241	47p	CER 50V, 5%, C0G, 0603	
0	C 12	59.60.2241	47p	CER 50V, 5%, C0G, 0603	
0	C 13	59.60.2241	47p	CER 50V, 5%, C0G, 0603	
0	C 14	59.60.2241	47p	CER 50V, 5%, C0G, 0603	
0	C 15	59.60.2241	47p	CER 50V, 5%, C0G, 0603	
0	C 16	59.60.2241	47p	CER 50V, 5%, C0G, 0603	
0	J 4	54.13.0072	15p	D-Sub, PCB, Winkel	
0	J 5	54.13.0072	15p	D-Sub, PCB, Winkel	
0	MP 1	1.940.635.11	1 pce	Connection 2xD-15F 8xAESI PCB	
0	MP 2	1.940.635.04	1 pce	Nr.-Etikette 5 * 20	
0	MP 3	1.940.615.01	1 pce	Rückwand D15+D15	
0	MP 4	54.13.0081	4 pcs	Bolzen UNC 4-40	
0	MP 5	28.31.0005	3 pcs	BLINDNIETE, D 3.2* 6.1	
0	P 1	54.14.2002	16p	1/20" Au, gerade, ohne Verrieg	
0	P 2	54.14.2002	16p	1/20" Au, gerade, ohne Verrieg	
0	P 3	not used	16p	1/20" Au, gerade, ohne Verrieg	

End of List

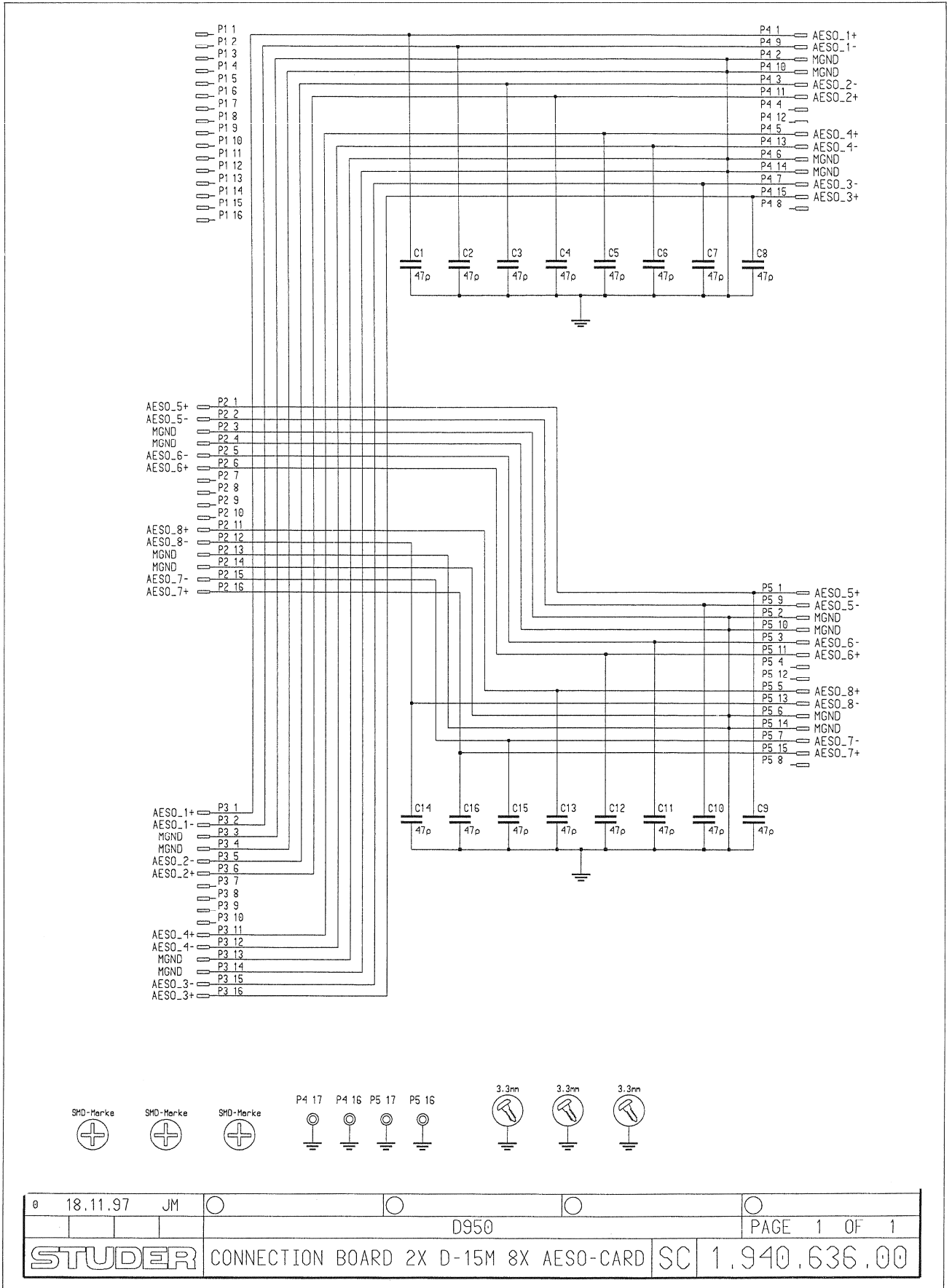
Comments

Modifikation						3
Änderung						2
						1
Edition	18.11.97	AF				0
Ausgabe	Datum	Viso	Gez.	Gepr.	Seen	Index
Copy to:	Kopie fuer: .					
Number:	1.940.635.00					

STUDER
REGENSDORF

Part No.:
Bezeichnung: CONNECTION BOARD 2X D-15F 8X AESI-CARD

Connection Board 2xD-15M 8x AESO-Card 1.940.636.00



Connection Board 2xD-15M 8x AESO-Card 1.940.636.00

The drawing shows a vertical connection board with two D-sub connectors (P4 and P5) on the left and three AESO card slots (P1, P2, P3) on the right. Components are labeled as follows: MP1 (top), MP4 (middle), MP3 (bottom), and MP5 (bottom right). The card slots are labeled P1, P2, and P3. The connectors are labeled P4 and P5. The card slots contain components labeled C1 through C16.

Idx.	Pos.	Part No.	Qty.	Type/Val.	Description
0	C 1	59.60.2241		47p	CER 50V, 5%, C0G, 0603
0	C 2	59.60.2241		47p	CER 50V, 5%, C0G, 0603
0	C 3	59.60.2241		47p	CER 50V, 5%, C0G, 0603
0	C 4	59.60.2241		47p	CER 50V, 5%, C0G, 0603
0	C 5	59.60.2241		47p	CER 50V, 5%, C0G, 0603
0	C 6	59.60.2241		47p	CER 50V, 5%, C0G, 0603
0	C 7	59.60.2241		47p	CER 50V, 5%, C0G, 0603
0	C 8	59.60.2241		47p	CER 50V, 5%, C0G, 0603
0	C 9	59.60.2241		47p	CER 50V, 5%, C0G, 0603
0	C 10	59.60.2241		47p	CER 50V, 5%, C0G, 0603
0	C 11	59.60.2241		47p	CER 50V, 5%, C0G, 0603
0	C 12	59.60.2241		47p	CER 50V, 5%, C0G, 0603
0	C 13	59.60.2241		47p	CER 50V, 5%, C0G, 0603
0	C 14	59.60.2241		47p	CER 50V, 5%, C0G, 0603
0	C 15	59.60.2241		47p	CER 50V, 5%, C0G, 0603
0	C 16	59.60.2241		47p	CER 50V, 5%, C0G, 0603
0	MP 1	1.940.636.11	1 pce		Connection 2xD-15M 8xAESO PCB
0	MP 2	1.940.636.04	1 pce		Nr.-Etikette 5 * 20
0	MP 3	1.940.615.01	1 pce		Rückwand D15+D15
0	MP 4	54.13.0081	4 pcs	4.85mm	Bolzen UNC 4-40
0	MP 5	28.31.0005	3 pcs		BLINDNIETE, D 3.2* 6.1
0	P 1	not used		16p	1/20" Au, gerade, ohne Verrieg
0	P 2	54.14.2002		16p	1/20" Au, gerade, ohne Verrieg
0	P 3	54.14.2002		16p	1/20" Au, gerade, ohne Verrieg
0	P 4	54.13.0077		15p	D-Sub, PCB, Winkel
0	P 5	54.13.0077		15p	D-Sub, PCB, Winkel

End of List

Comments

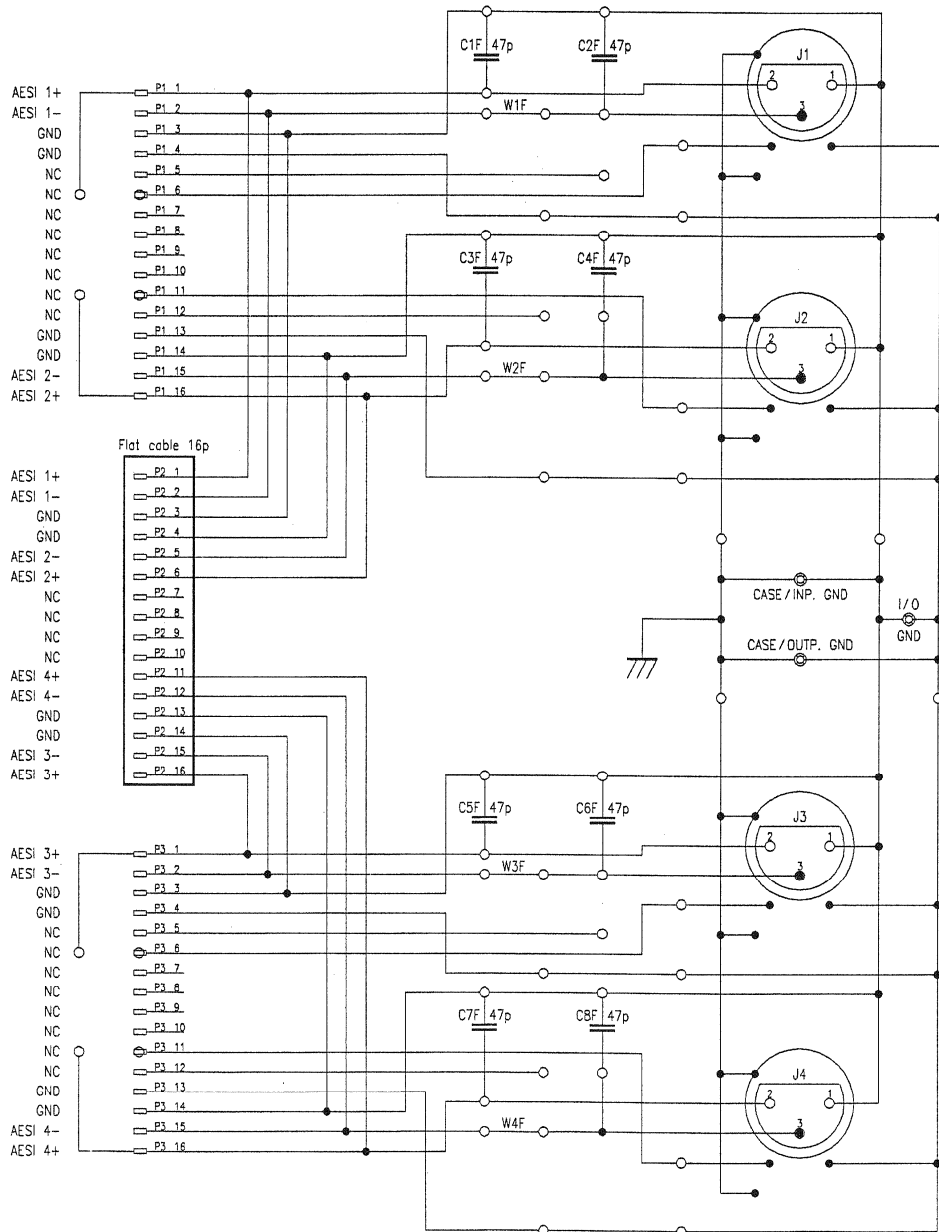
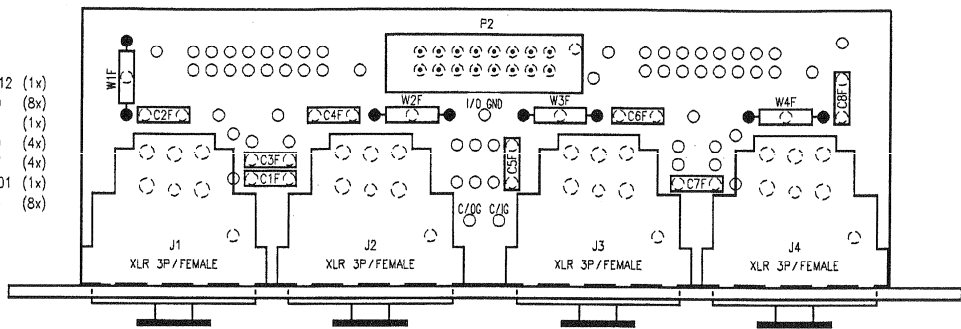
Werkstück Anzahl						③
						②
						①
Erstellt in Ausgabe	18.11.97	AF				④
Date		Visa	Gez.	Gepr.	Seen	Index

Copy to:
Kopie fuer: *

STUDER REGENSDORF	Description: Benennung: CONNECTION BOARD 2X D-15M 8X AESO-CARD	Number: 1.940.636.00
-----------------------------	---	-------------------------

XLR Connection 4x AES / EBU Input 1.940.637.81

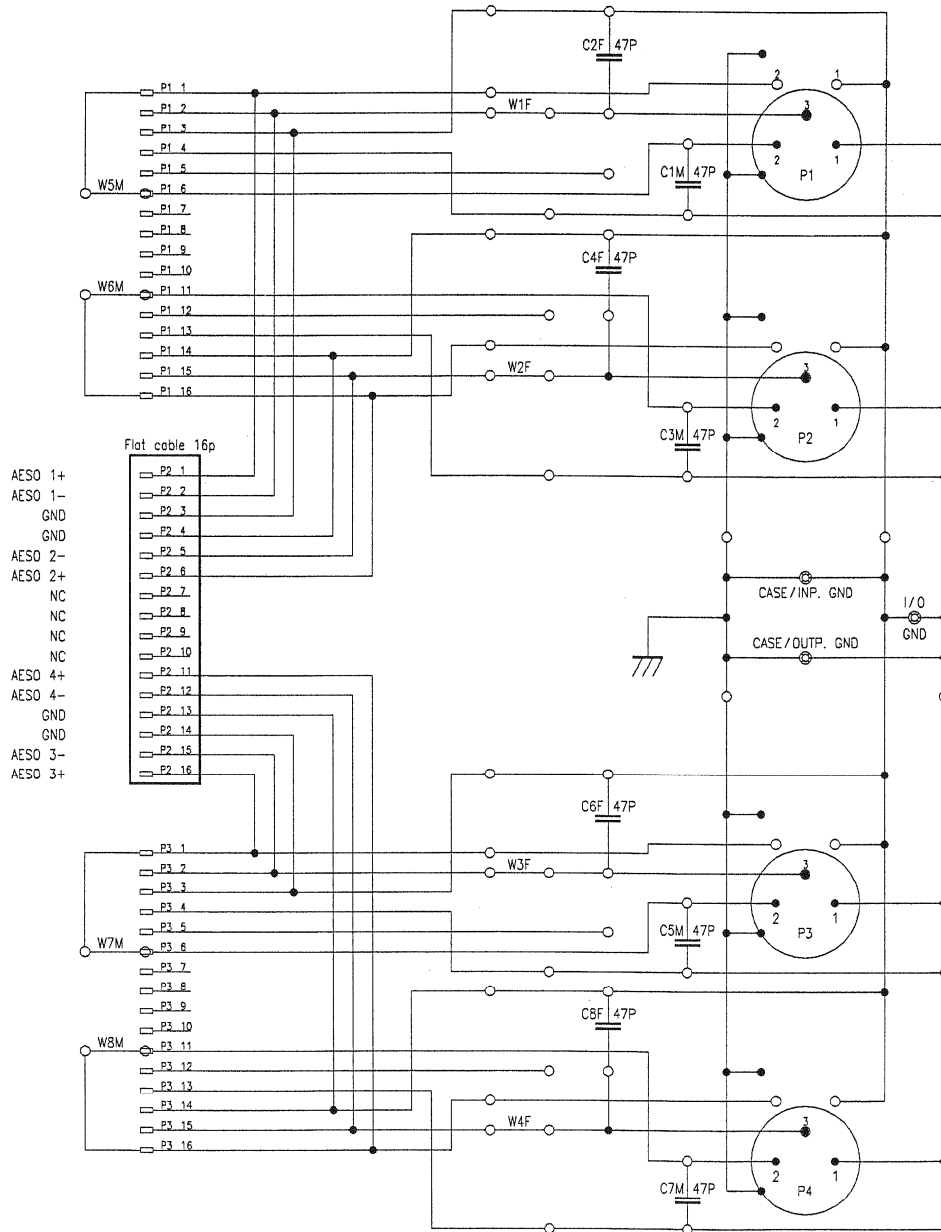
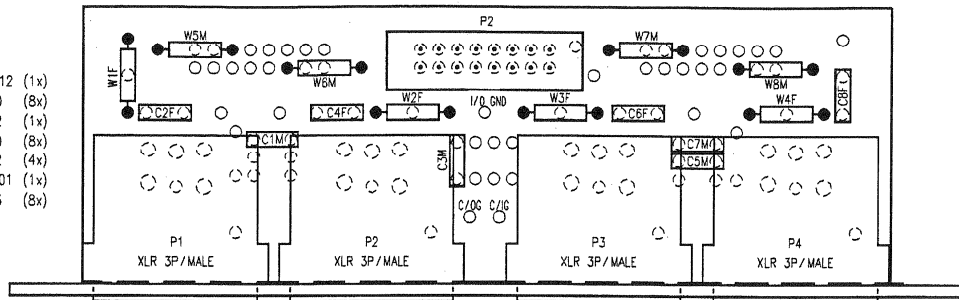
- PCB: 1.940.617.12 (1x)
- C 47pF: 59.34.2470 (8x)
- Px: 54.14.2002 (1x)
- Wxx: 57.11.3000 (4x)
- XLR 3P/F: 54.21.2207 (4x)
- FRONT: 1.940.617.01 (1x)
- SCREWS: 20.24.7623 (8x)



06.01.98 / BK		
SC1940637-81		PAGE 1 OF 1
STUDER REGENSDORF SWITZERLAND	XLR CONNECTION 4x AES/EBU INPUT	1.940.637.81

XLR Connection 4x AES / EBU Output I.940.638.81

- PCB: 1.940.617.12 (1x)
- C 47pF: 59.34.2470 (8x)
- Px: 54.14.2002 (1x)
- Wxx: 57.11.3000 (8x)
- XLR 3P/M: 54.21.2202 (4x)
- FRONT 1.940.617.01 (1x)
- SCREWS: 20.24.7623 (8x)



- Flat cable 16p
- AESO 1+ P2_1
 - AESO 1- P2_2
 - GND P2_3
 - GND P2_4
 - AESO 2+ P2_5
 - AESO 2- P2_6
 - NC P2_7
 - NC P2_8
 - NC P2_9
 - NC P2_10
 - AESO 4+ P2_11
 - AESO 4- P2_12
 - GND P2_13
 - GND P2_14
 - AESO 3- P2_15
 - AESO 3+ P2_16

06.01.98/BK			
SC1940638-81			PAGE 1 OF 1
STUDER REGENSDORF SWITZERLAND	XLR CONNECTION 4x AES/EBU OUTPUT		1.940.638.81